



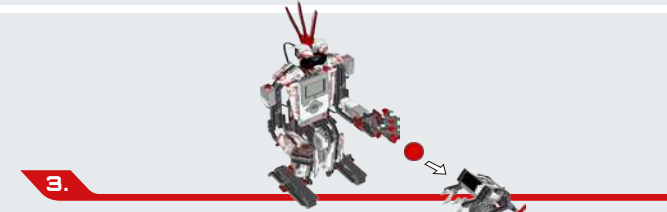
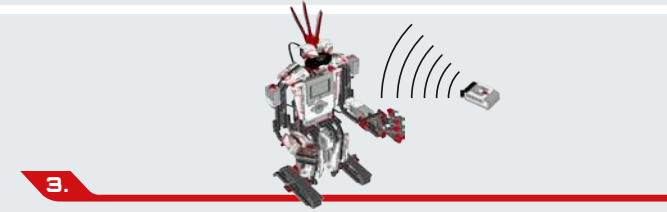
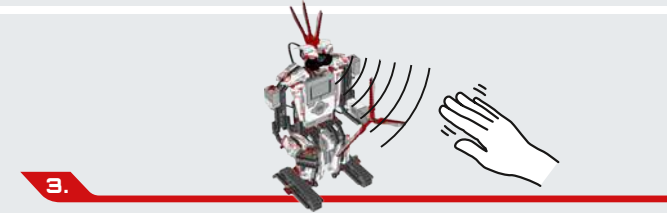
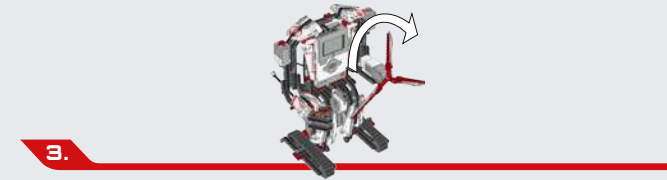
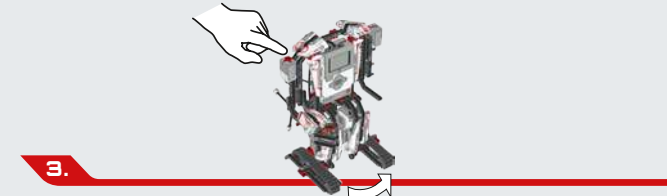
MINDSTORMS

EV3



31313

EV3RSTORM

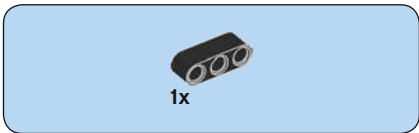
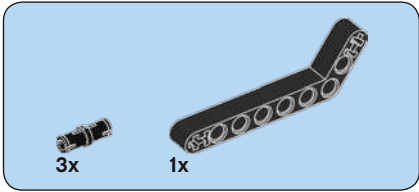
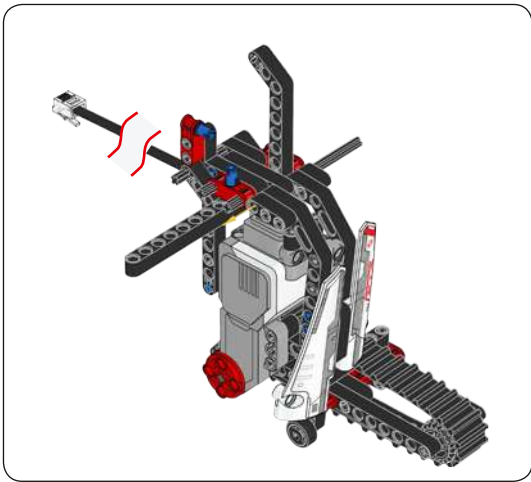


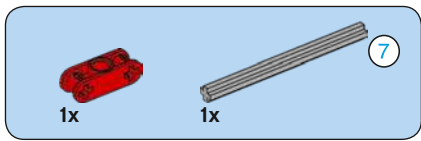
MISSION 01



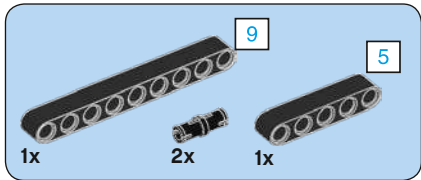
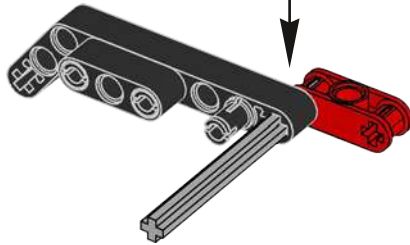
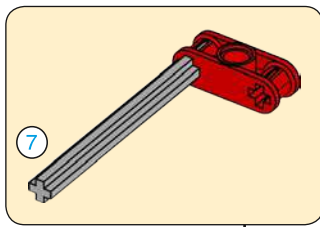
3-53



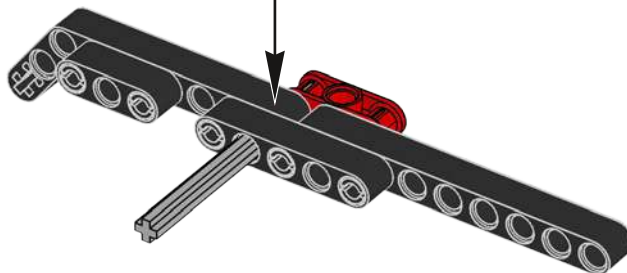
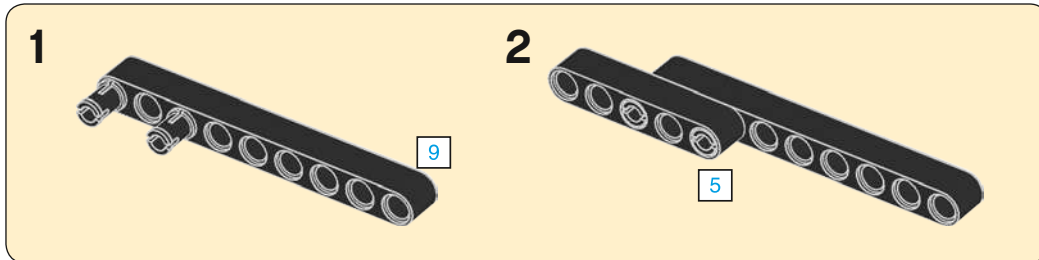


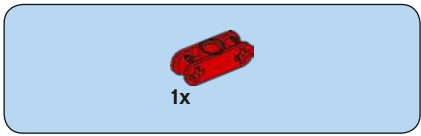


3

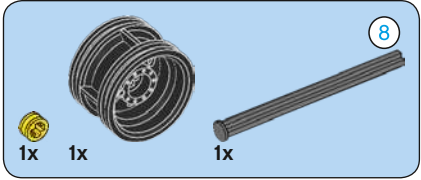
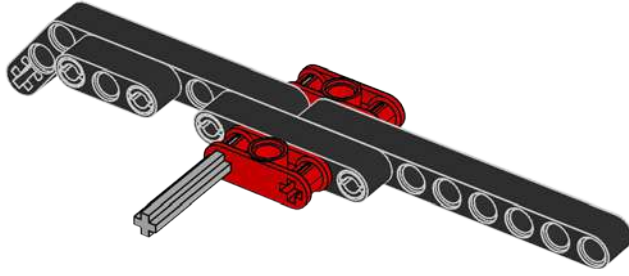


4

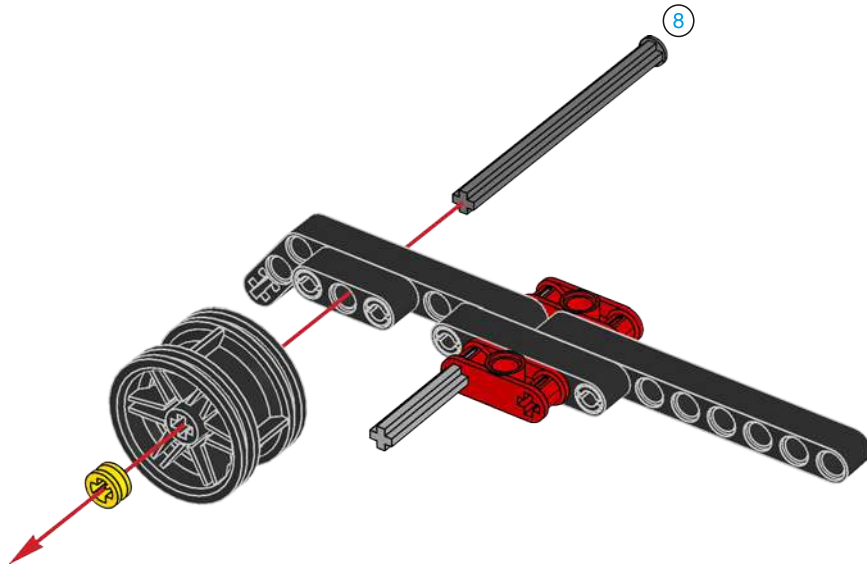


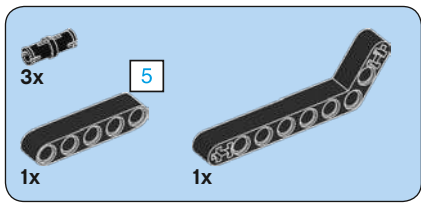


5

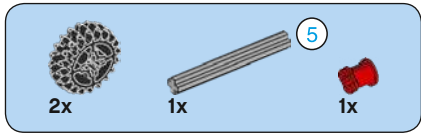
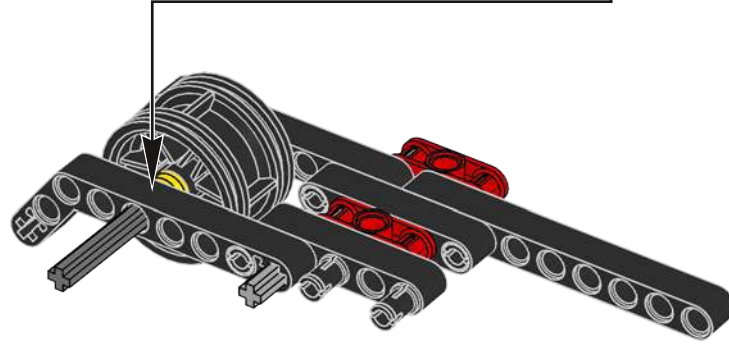
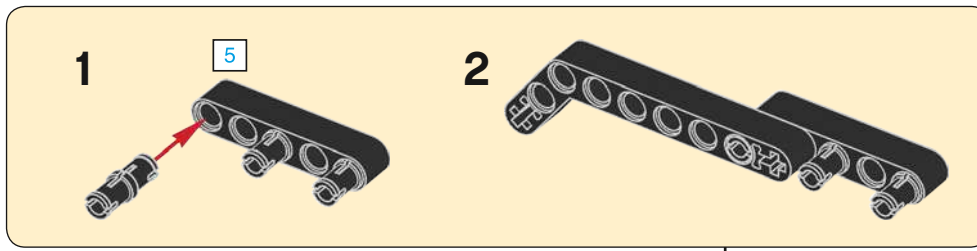


6

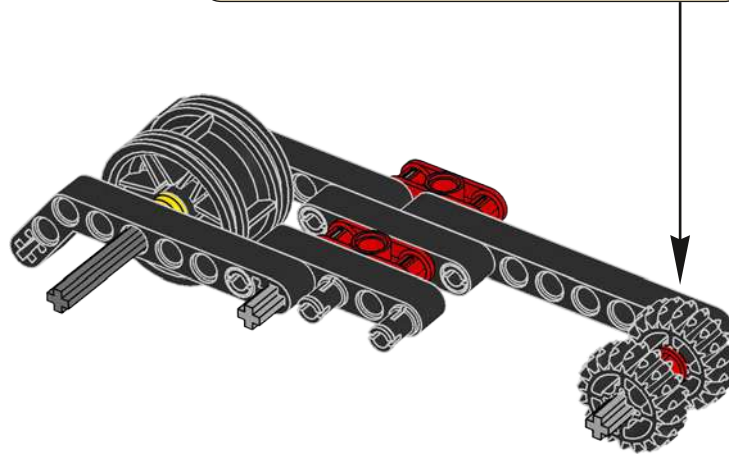
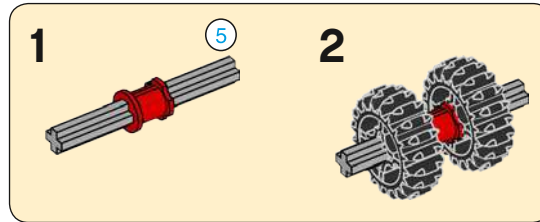


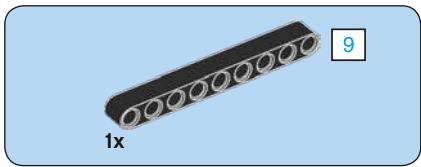


7

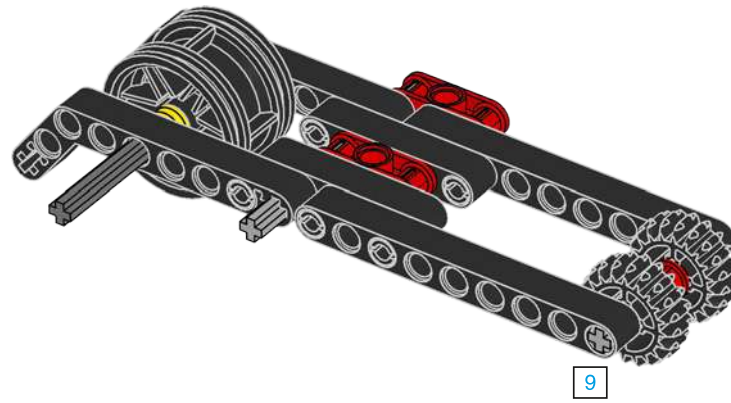


8

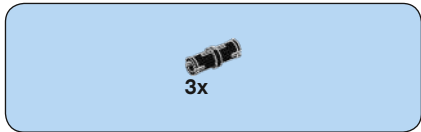
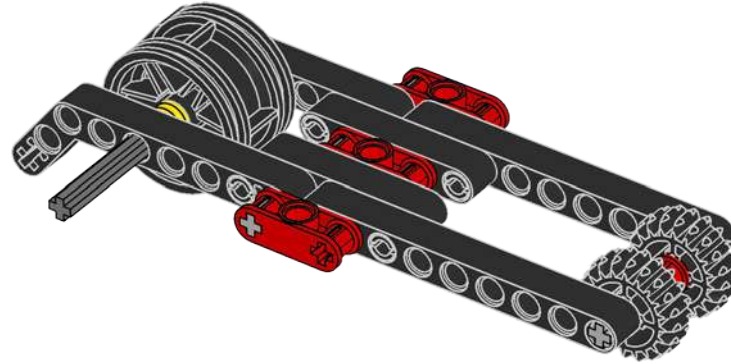




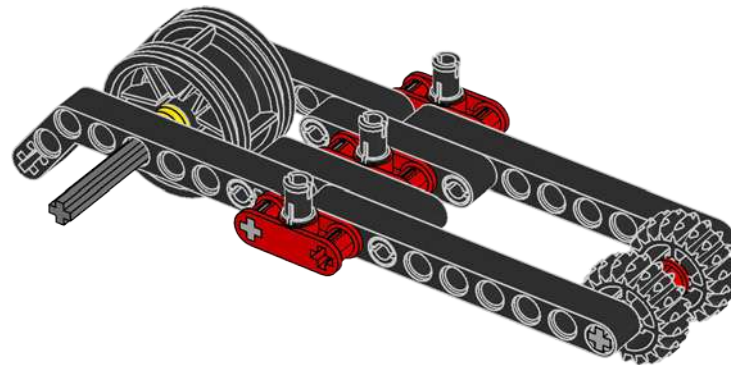
9

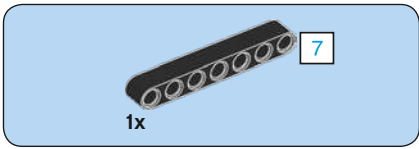


10

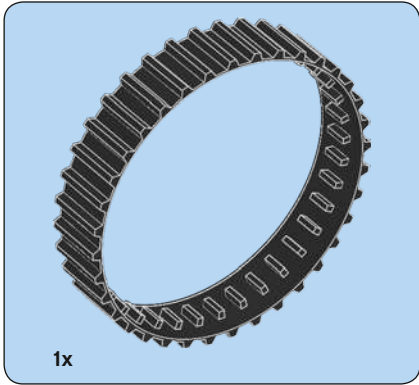
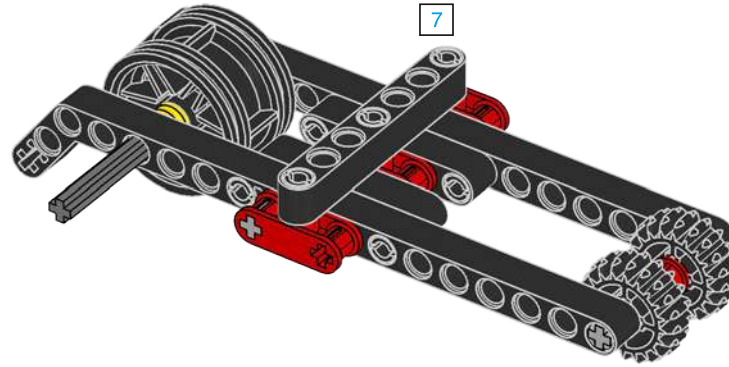


11

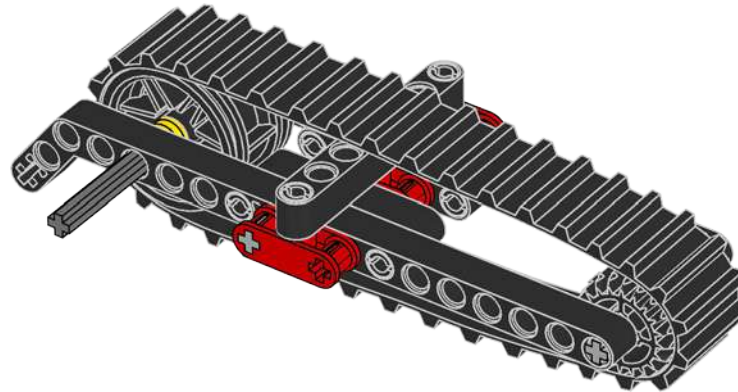


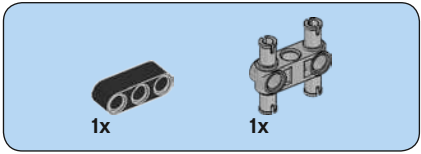
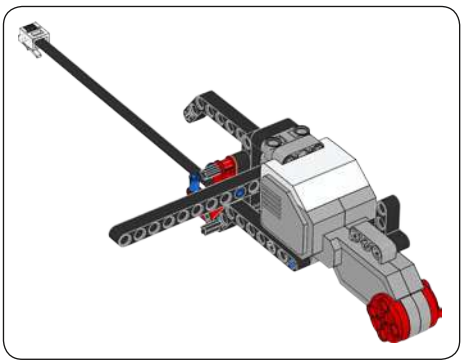


12

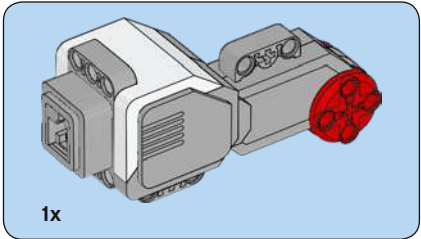
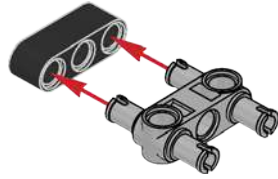


13

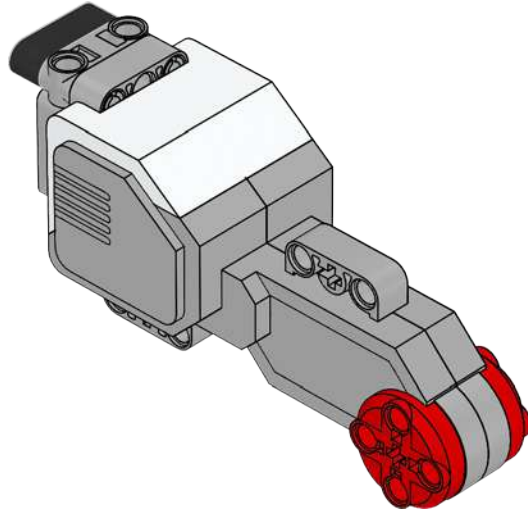


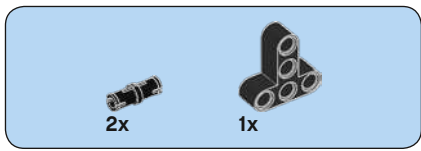


1

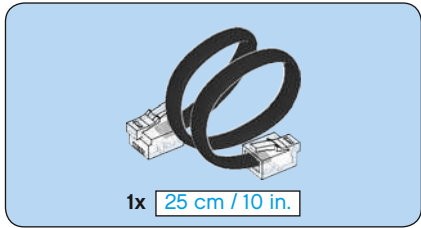
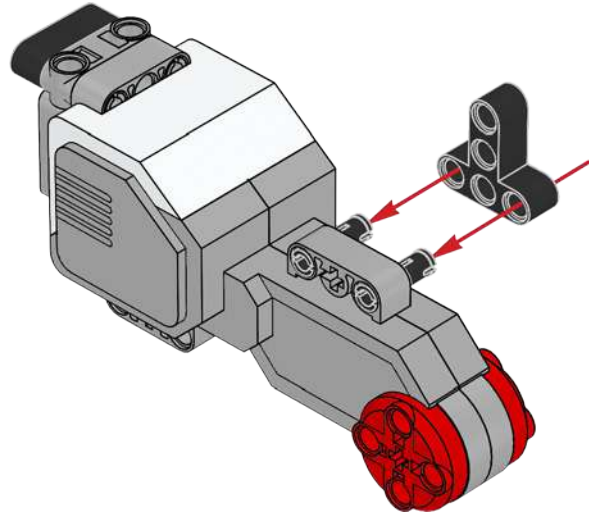


2

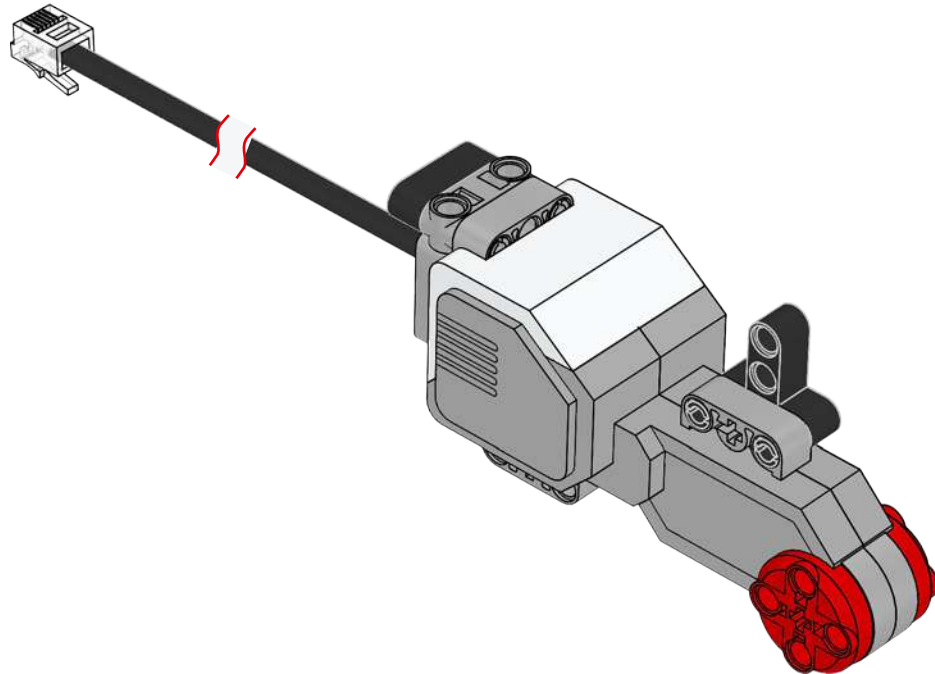


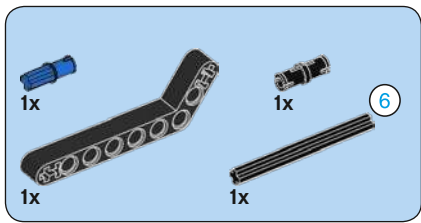


3

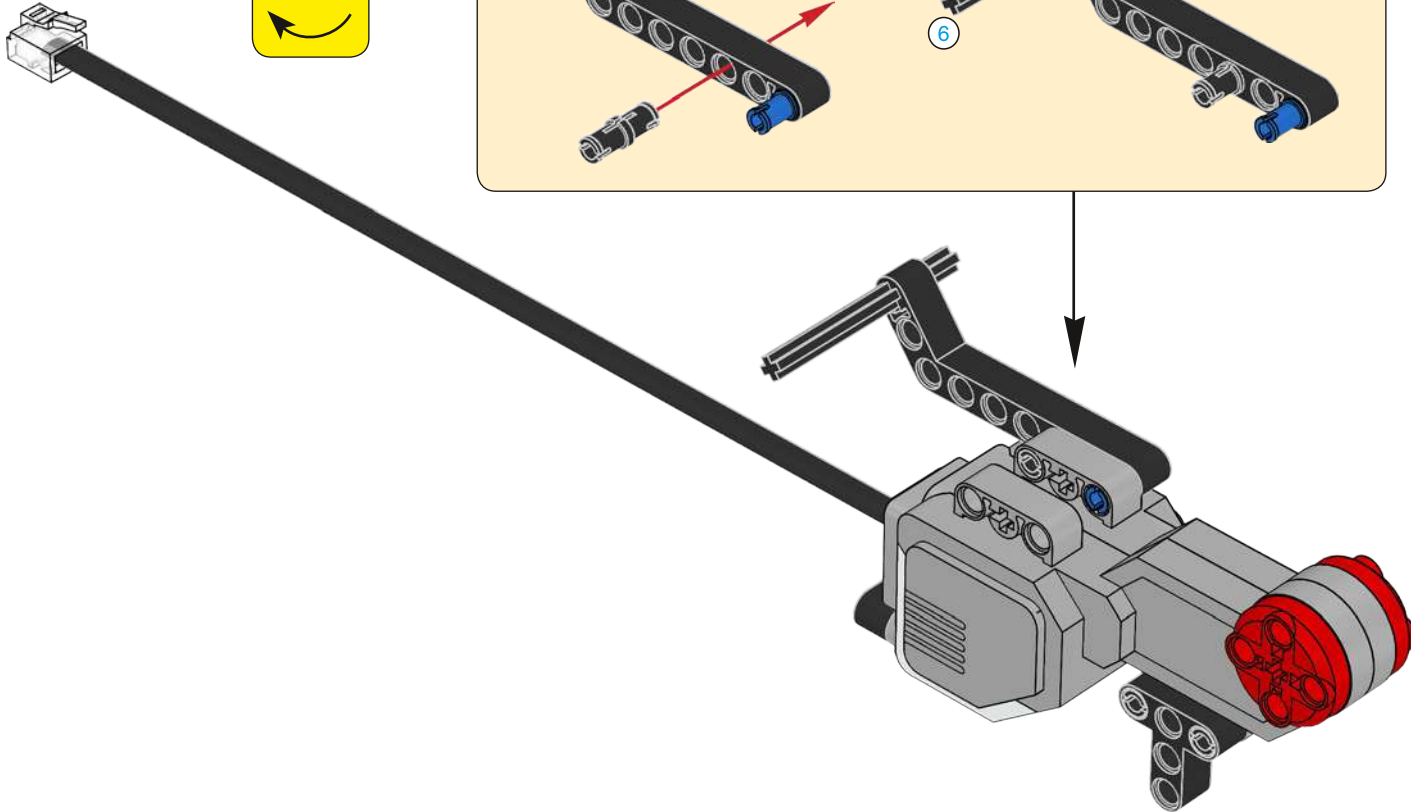
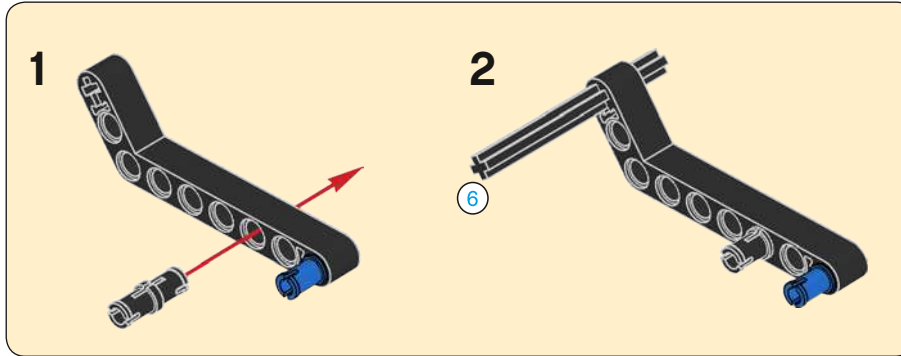


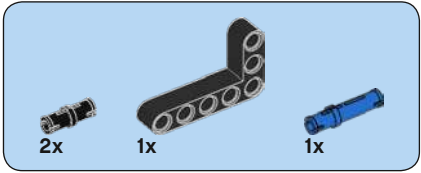
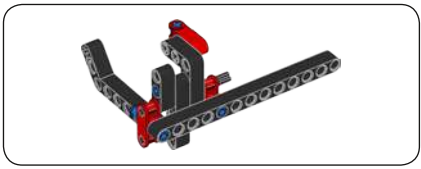
4



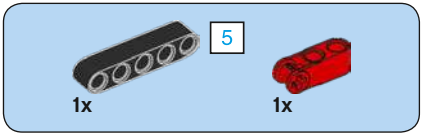
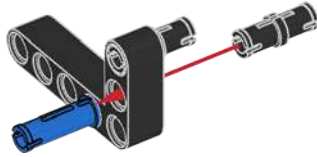


5

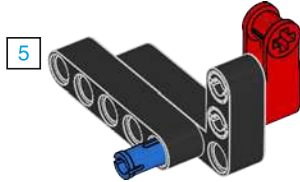




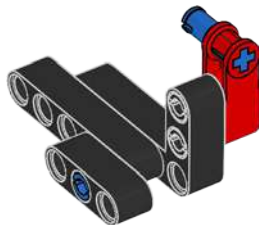
1

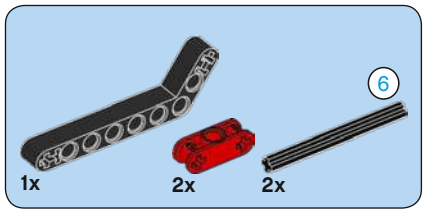


2

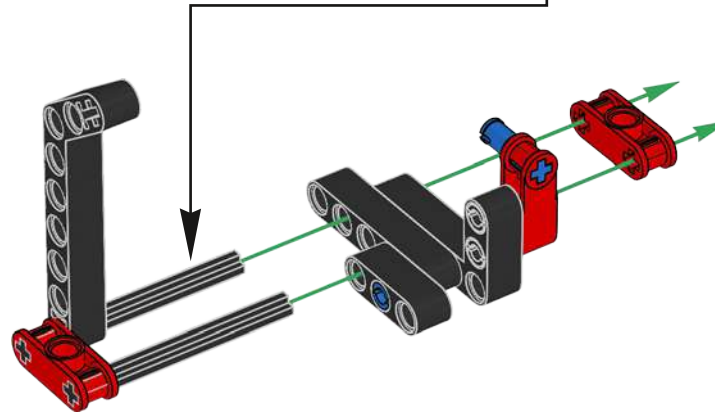
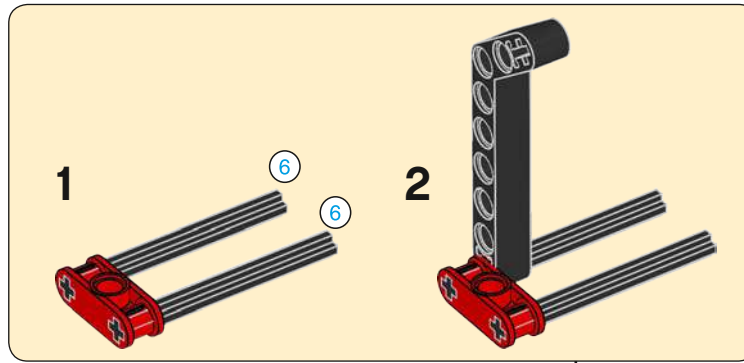


3

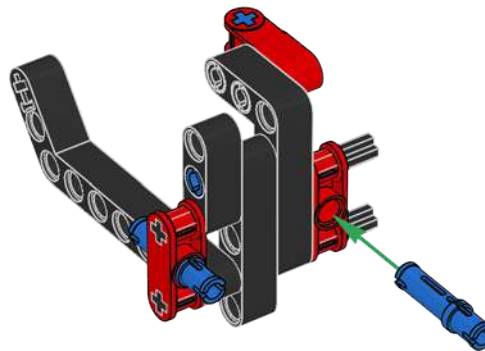


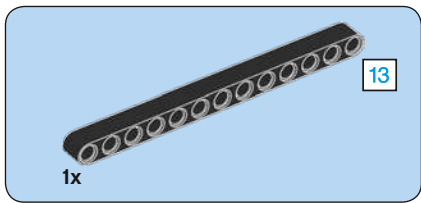


4

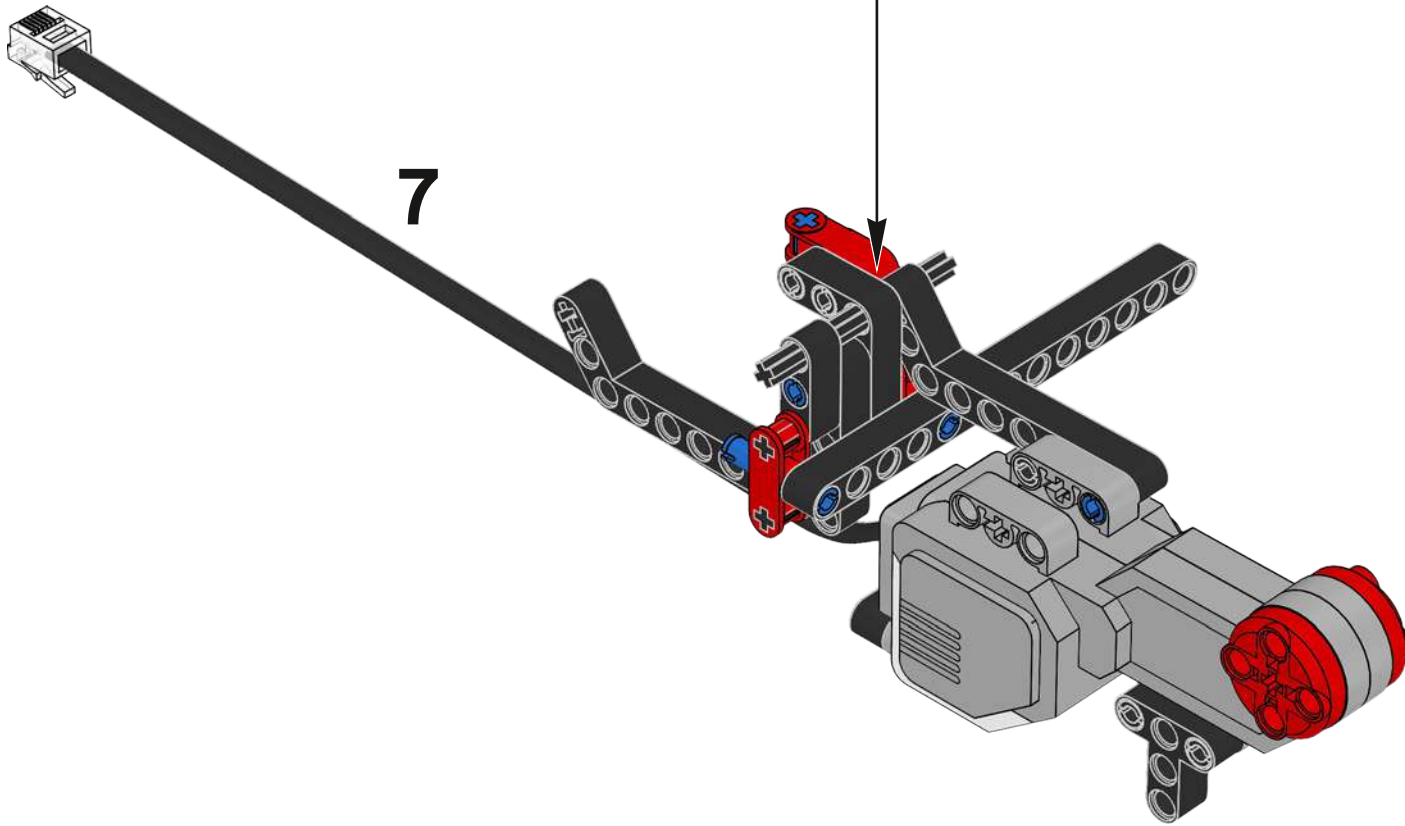
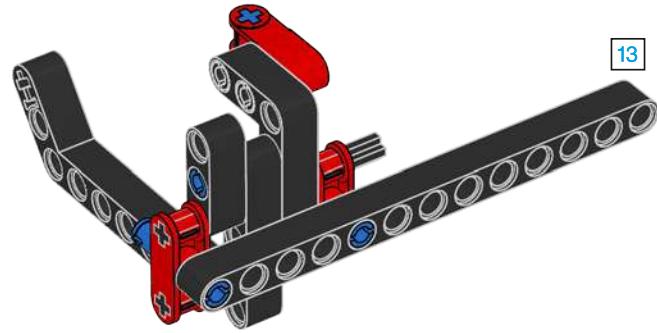


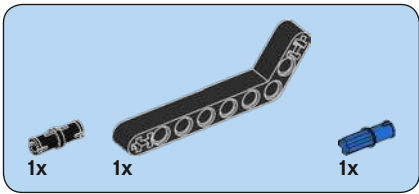
5



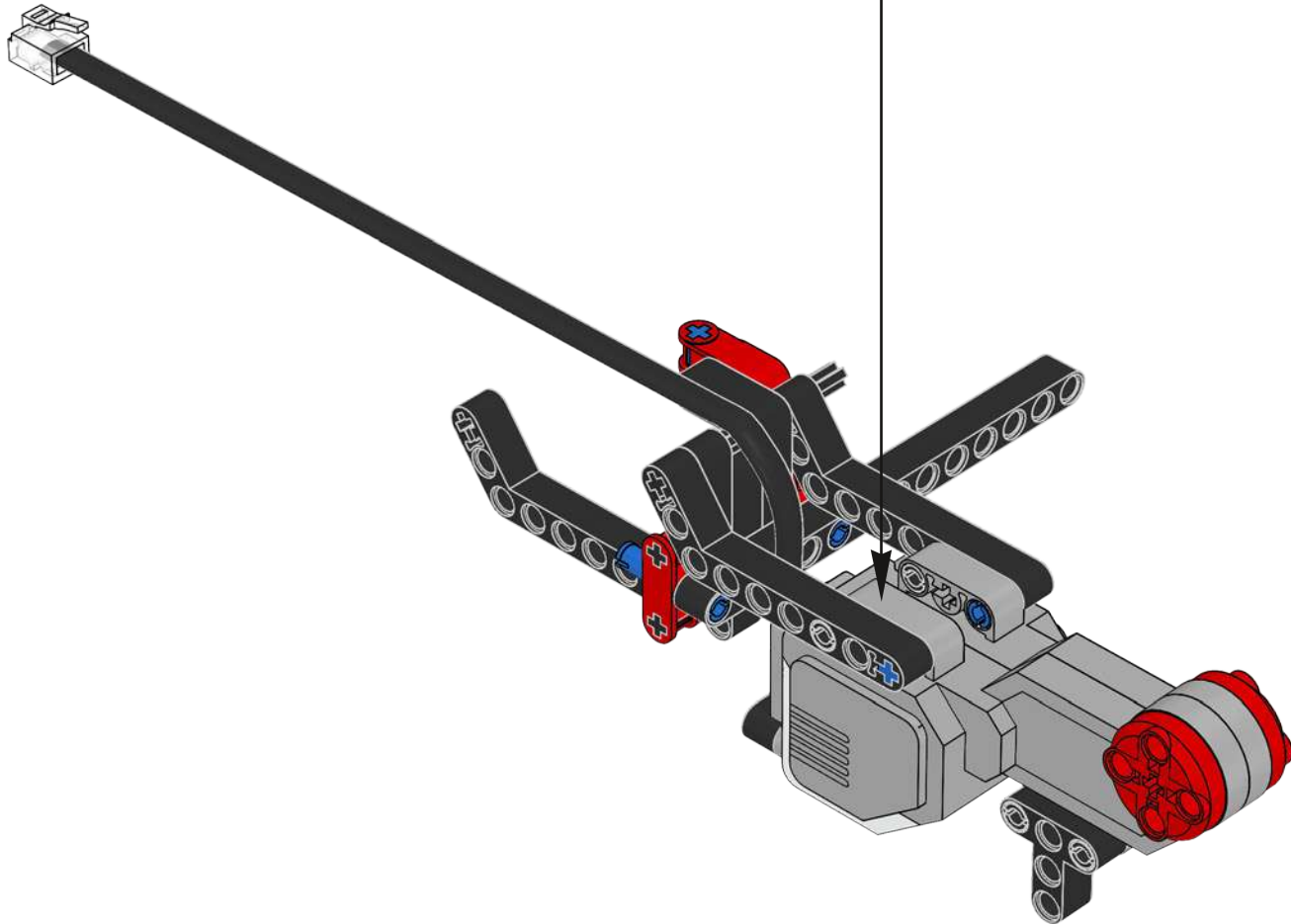
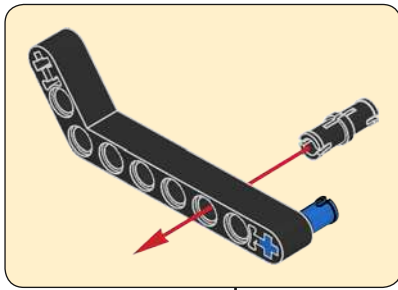


6

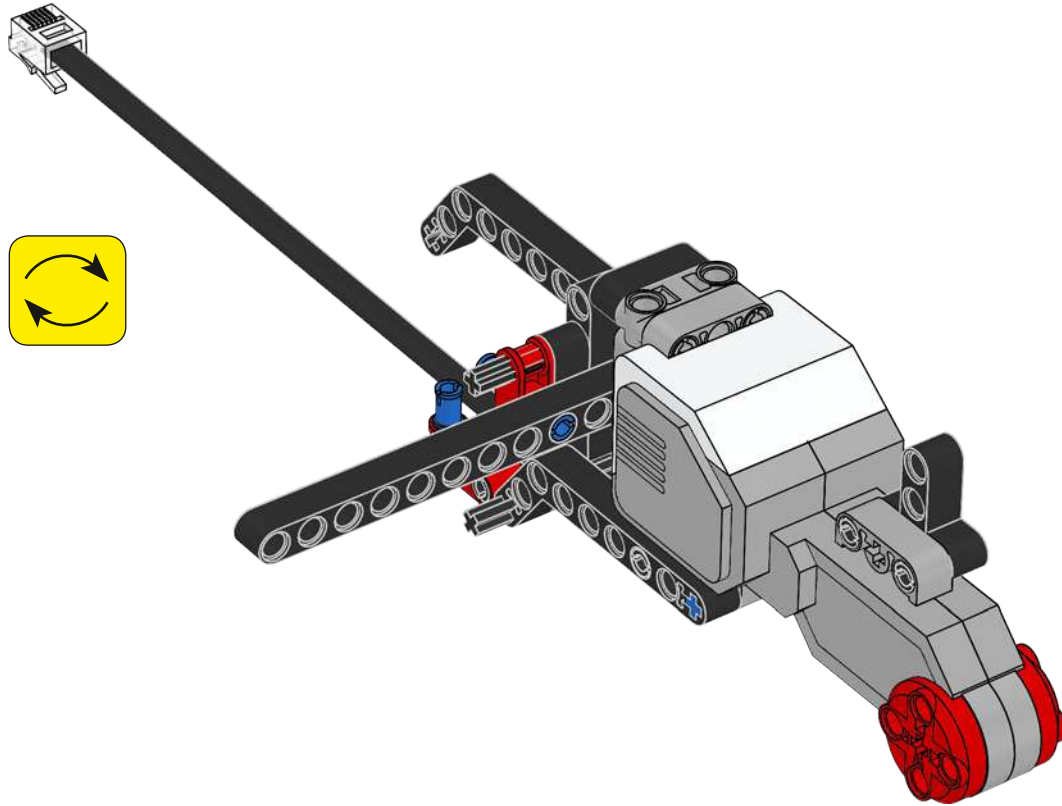




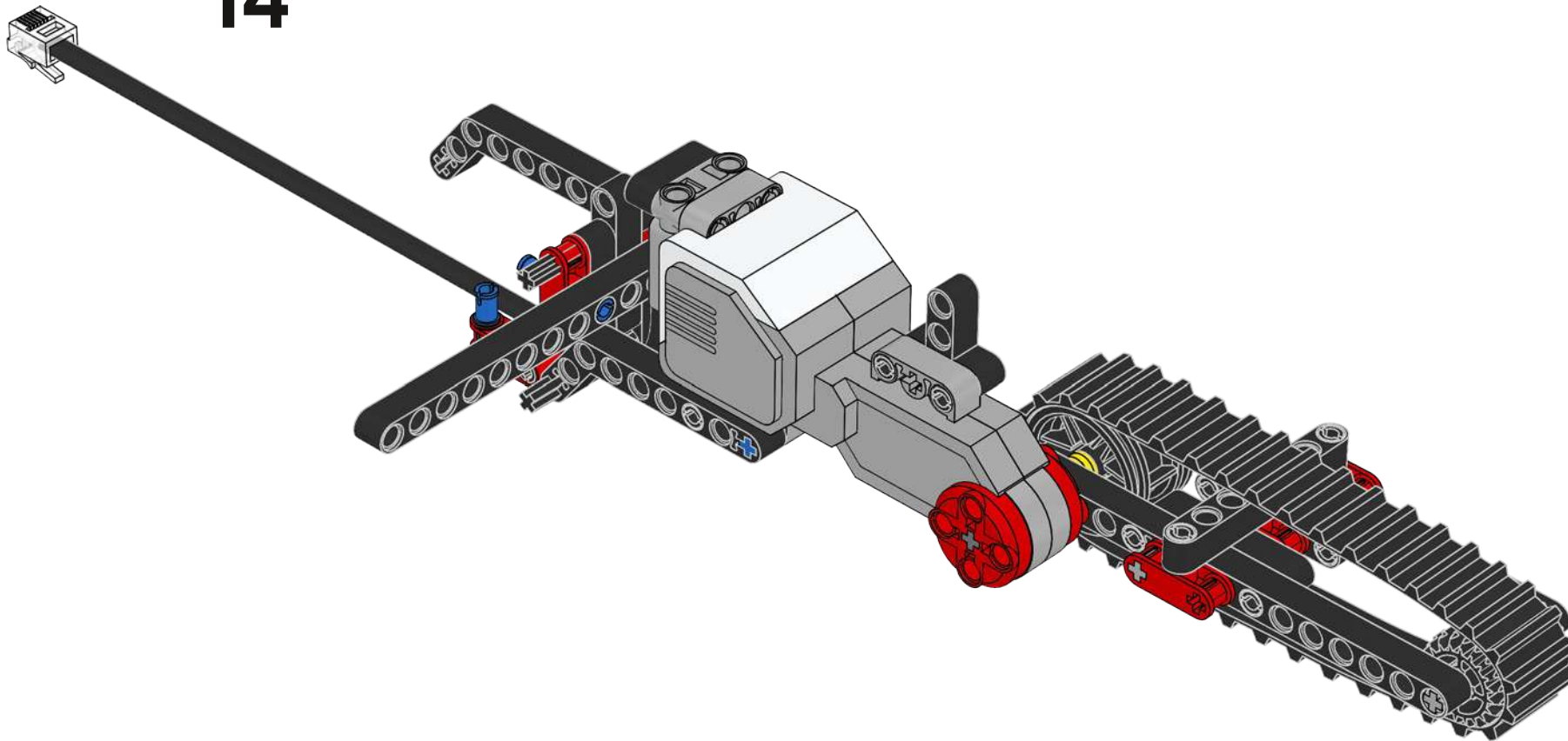
8

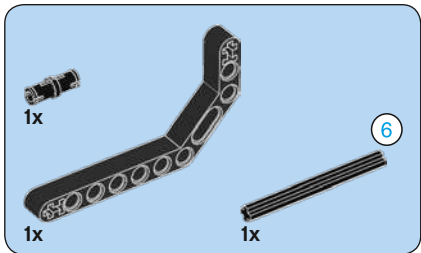
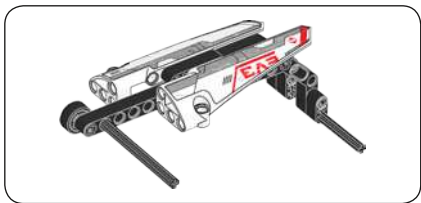


9

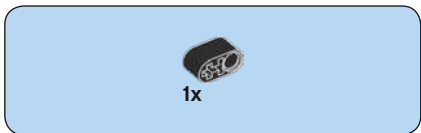
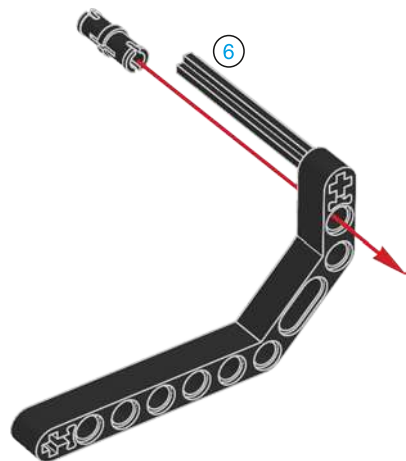


14

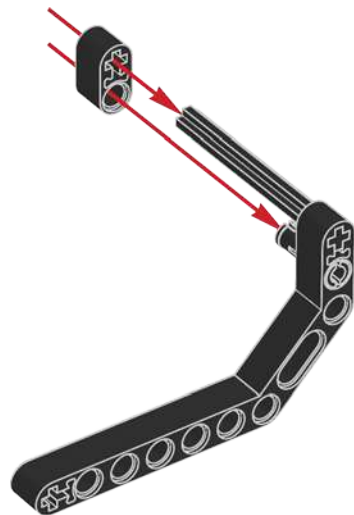


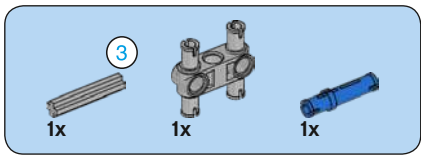


1

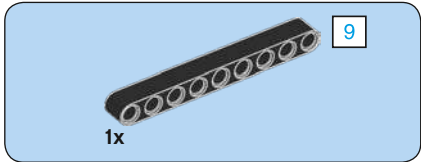
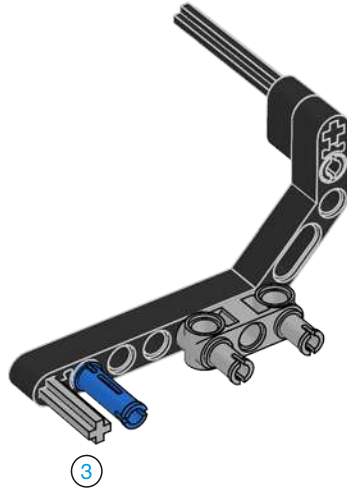


2



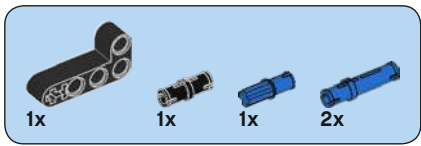


3

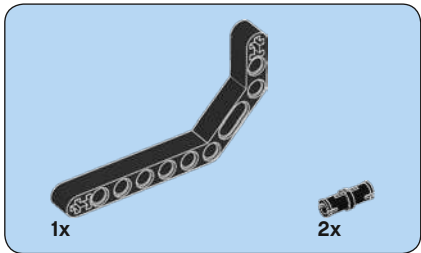
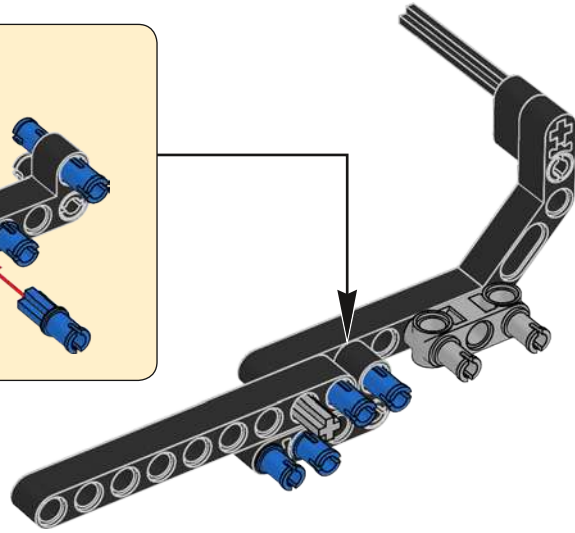
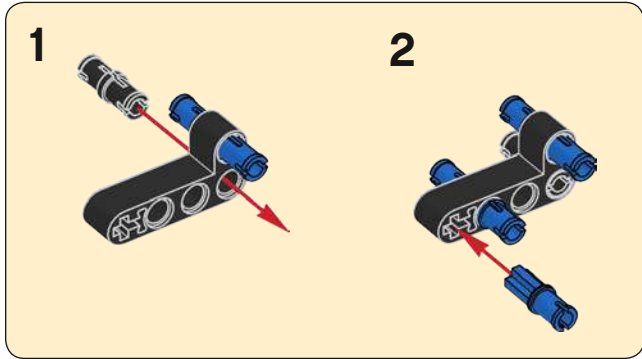


4

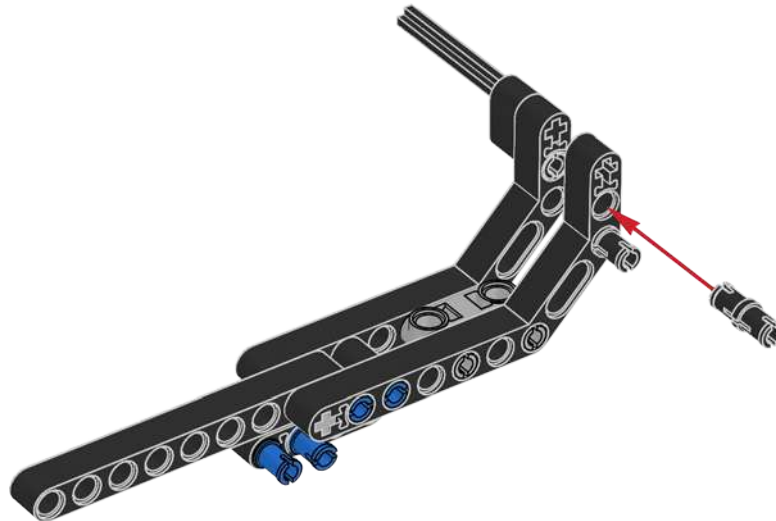


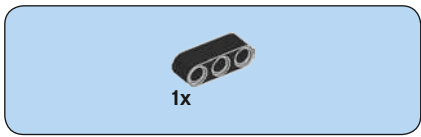


5

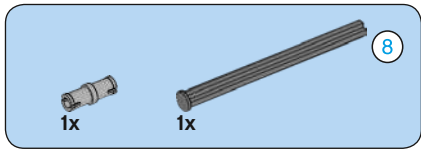
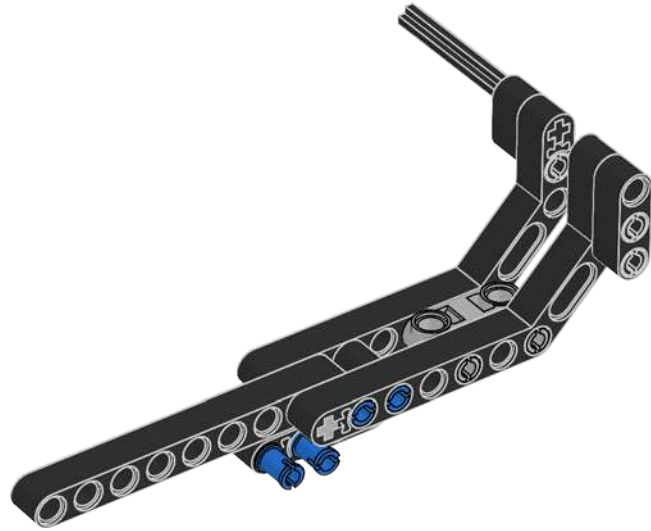


6

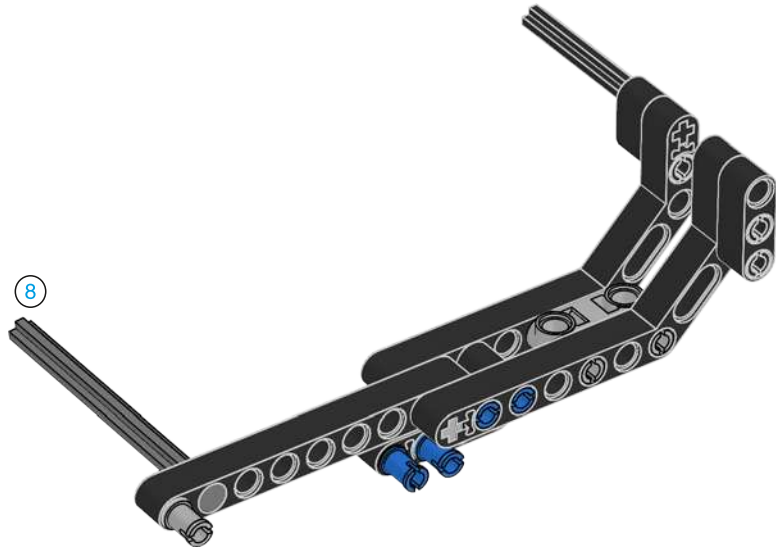


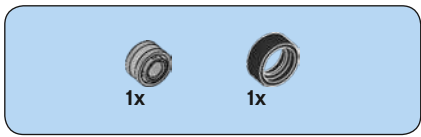


7

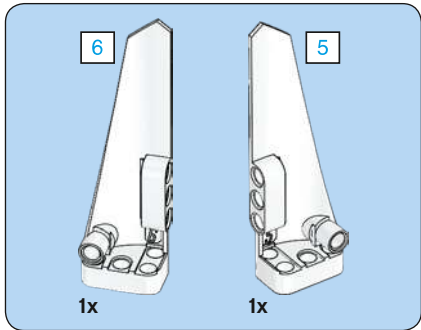
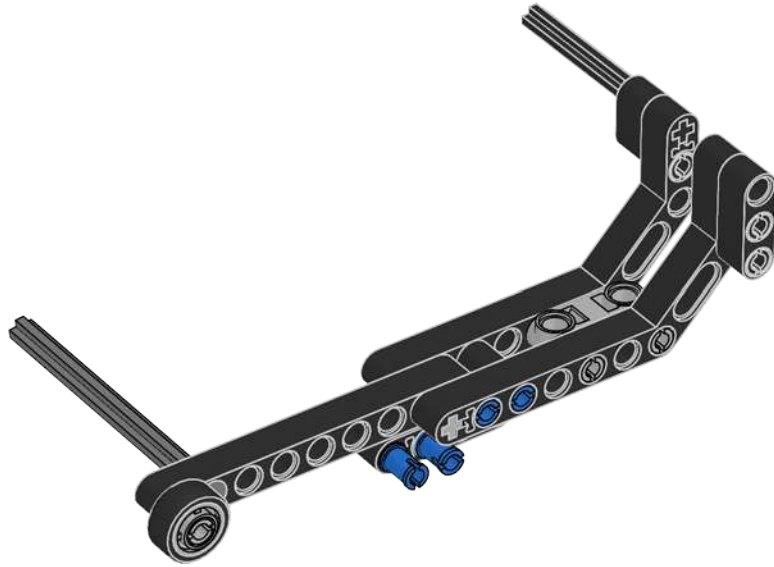


8

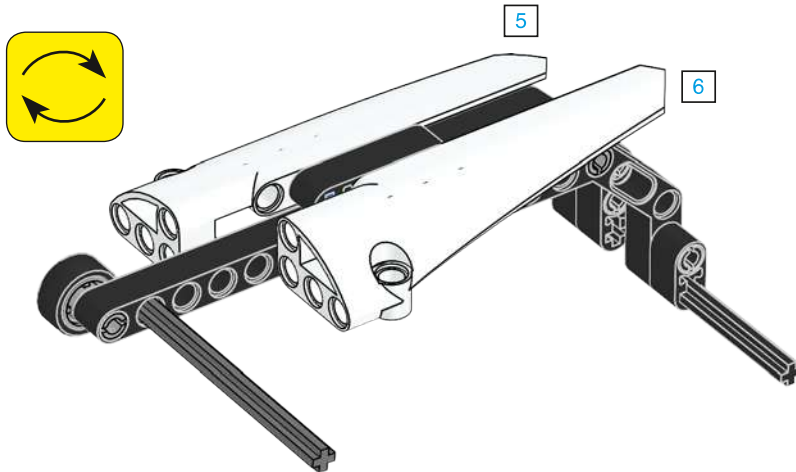




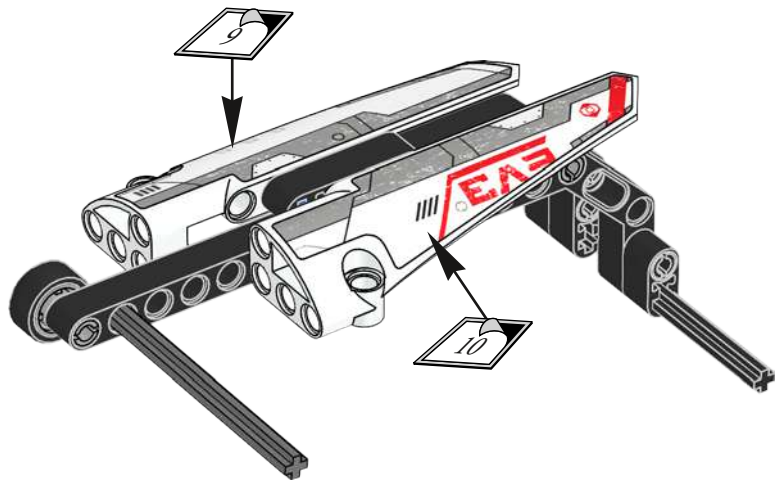
9



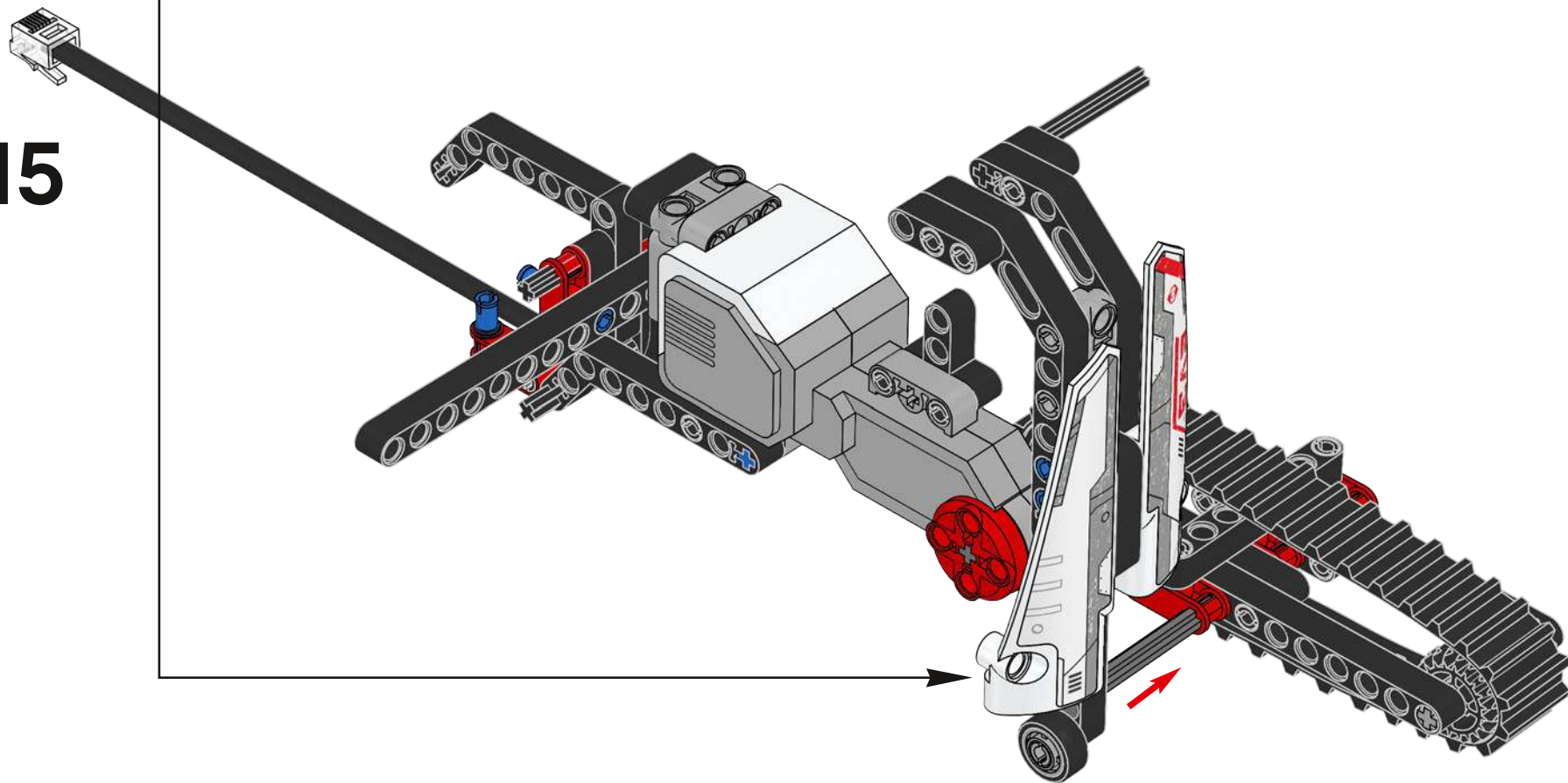
10



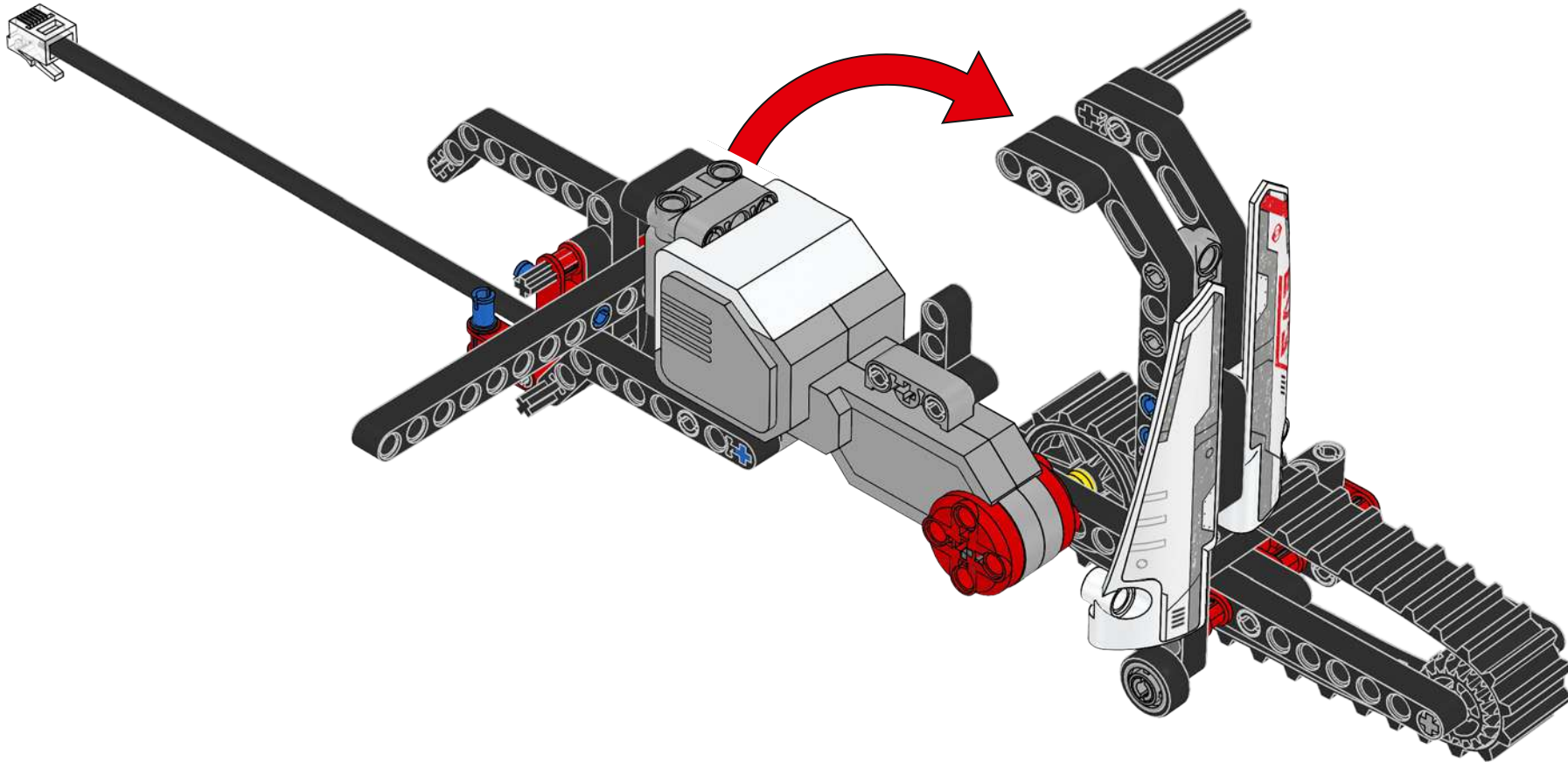
11



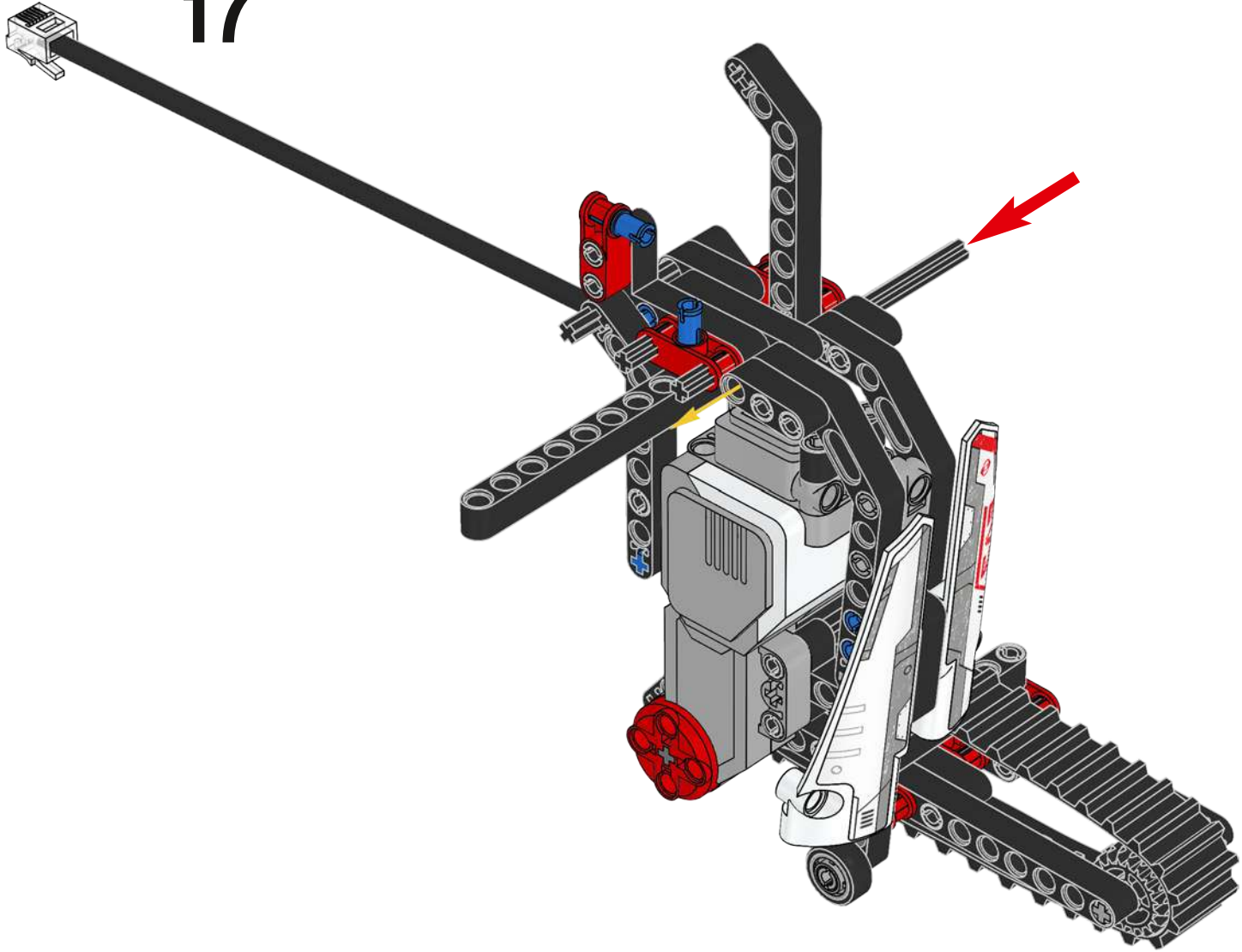
15

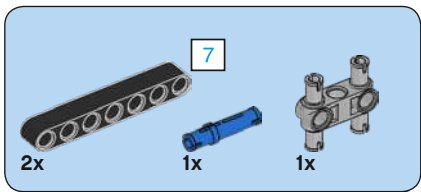


16

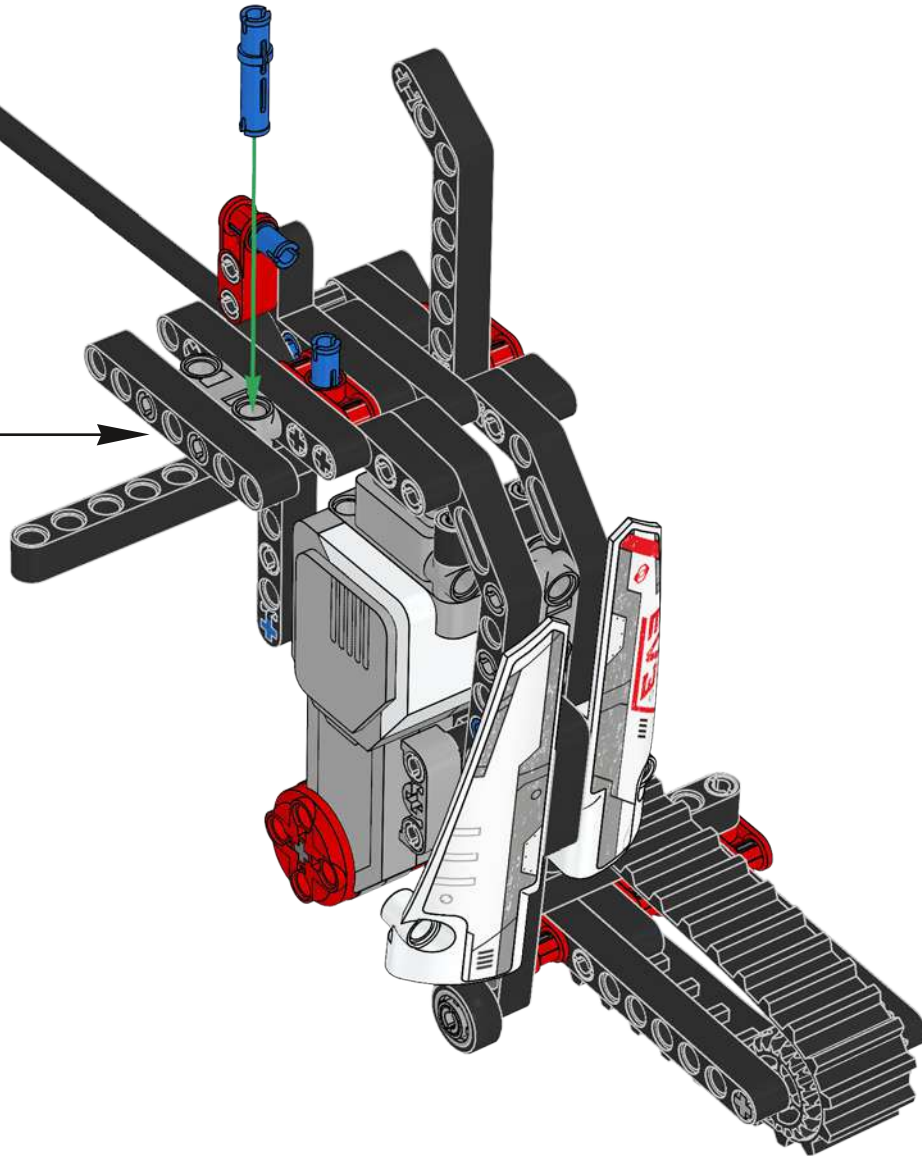
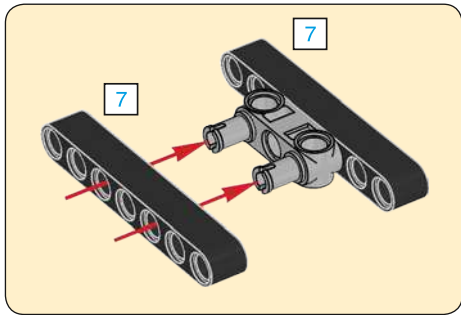


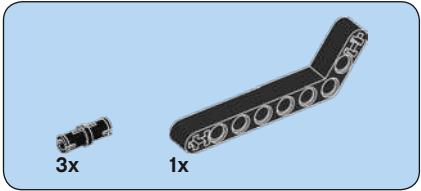
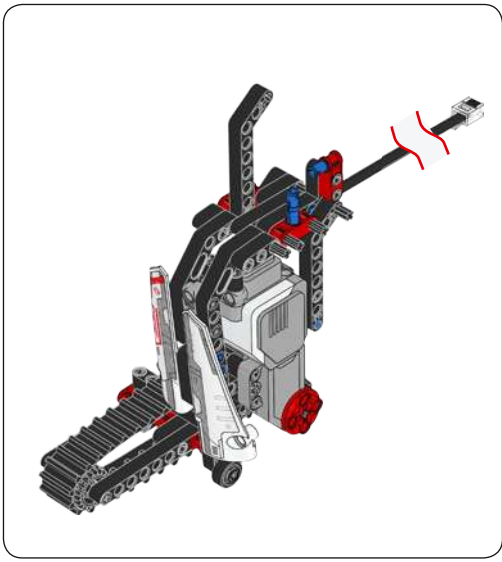
17



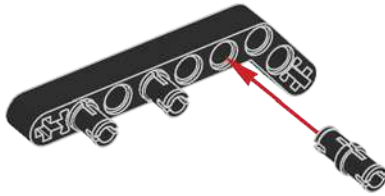


18



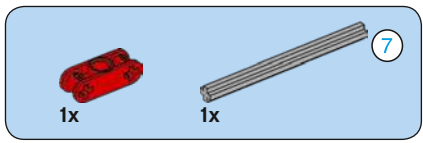


1

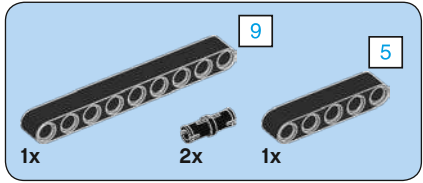
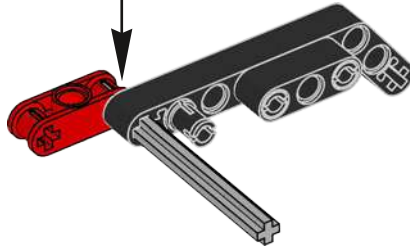
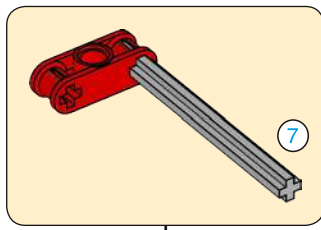


2

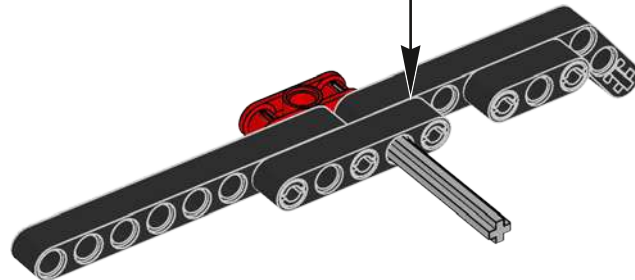
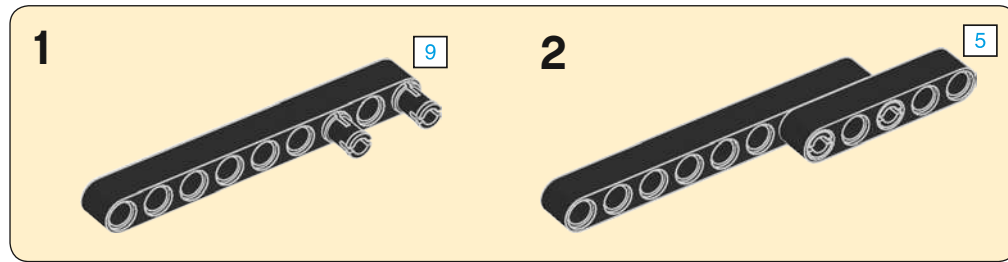


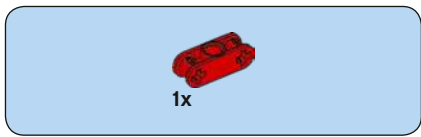


3

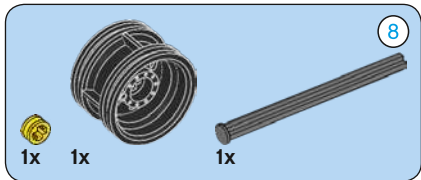
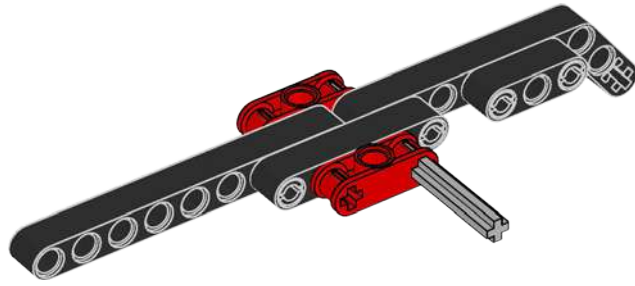


4

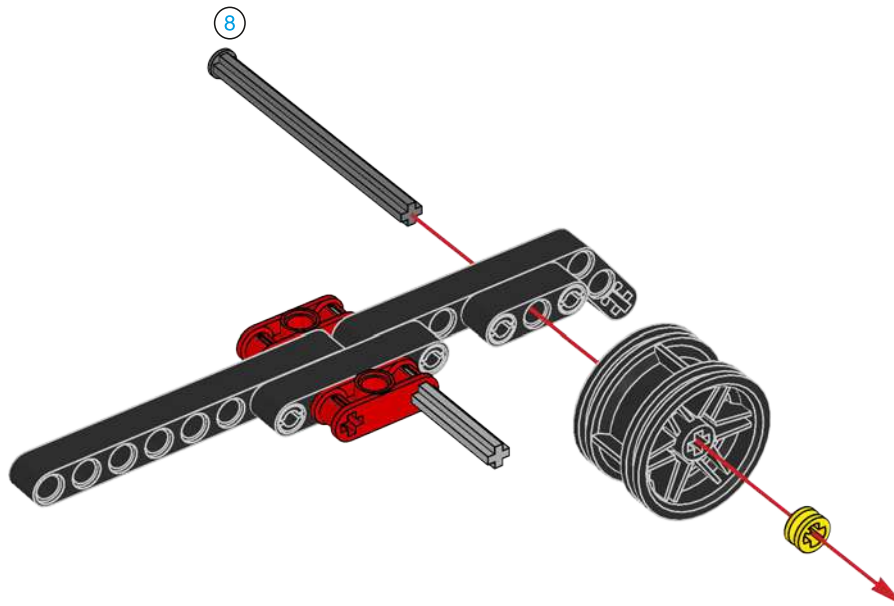


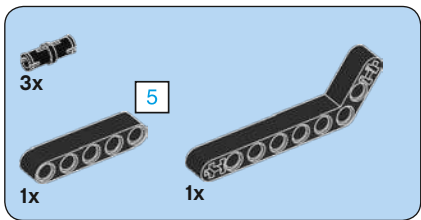


5

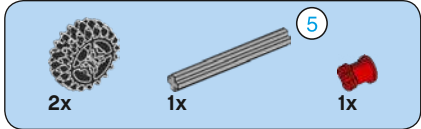
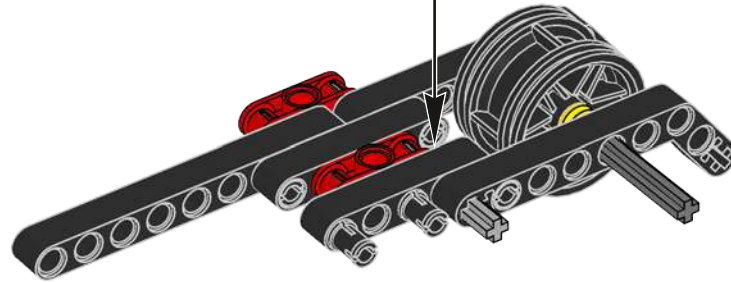
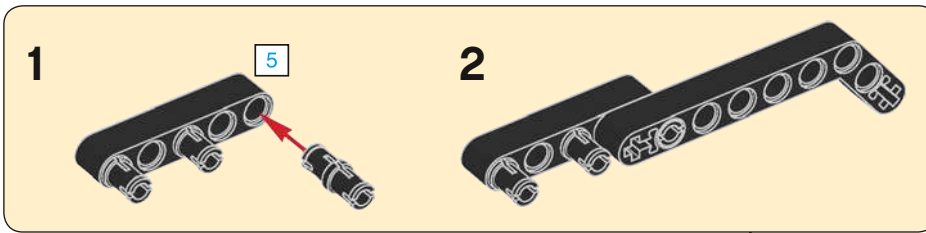


6

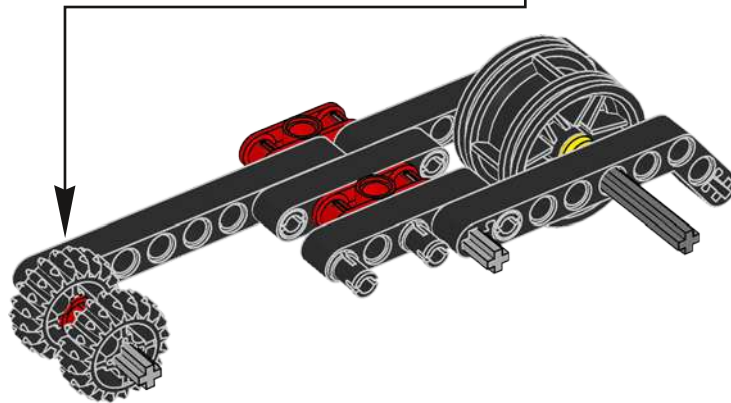
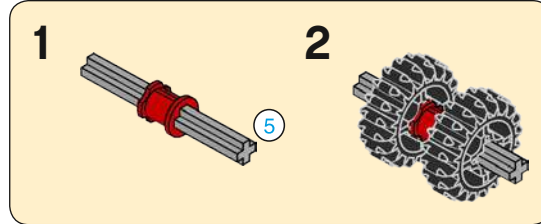


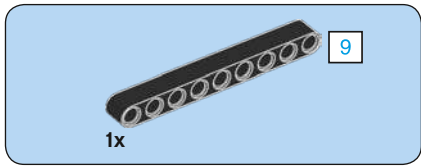


7

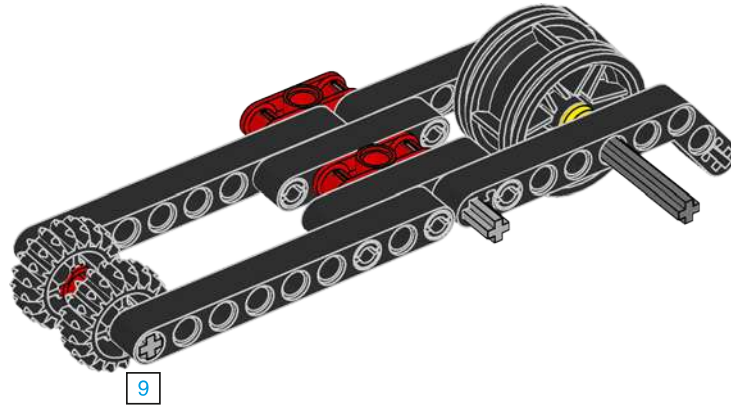


8

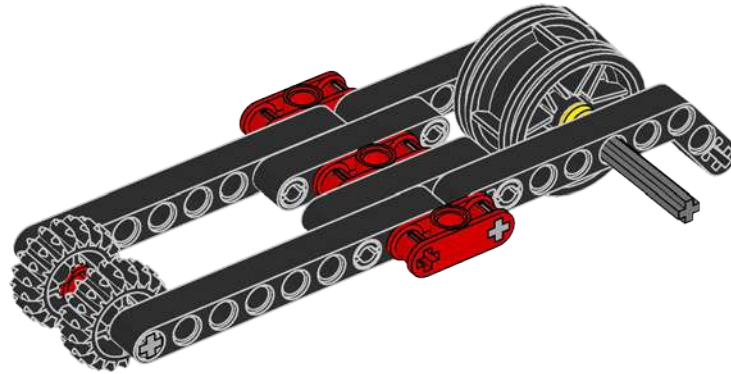




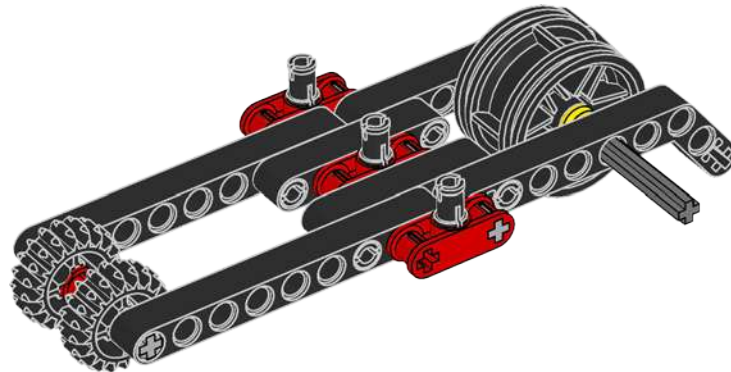
9

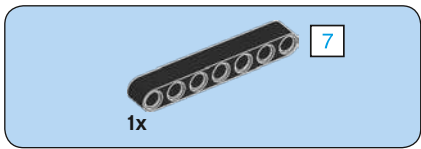


10

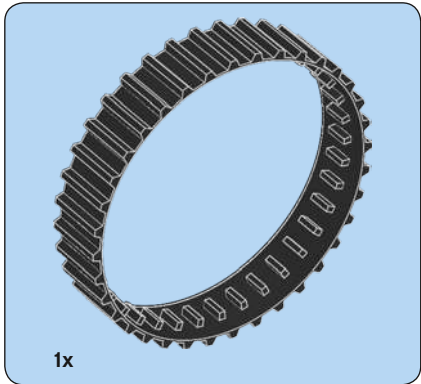
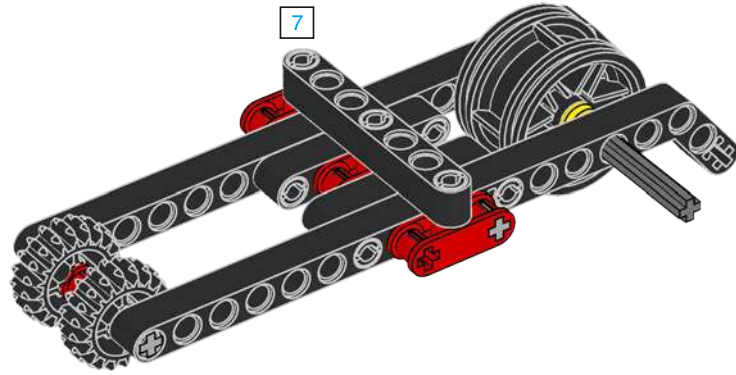


11

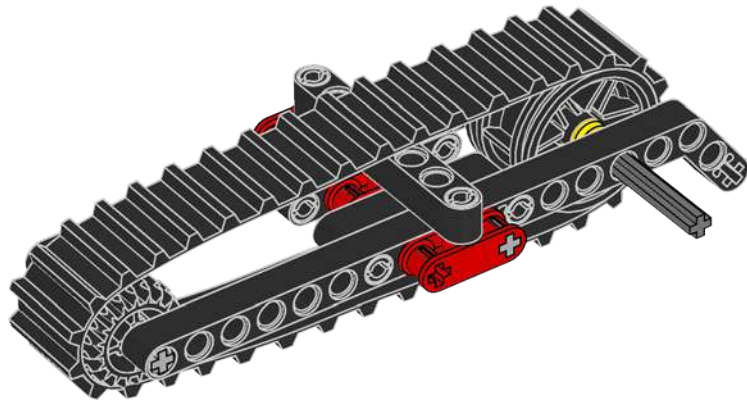


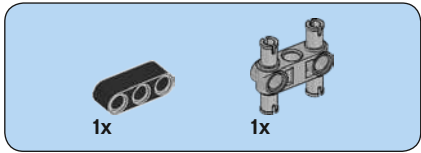
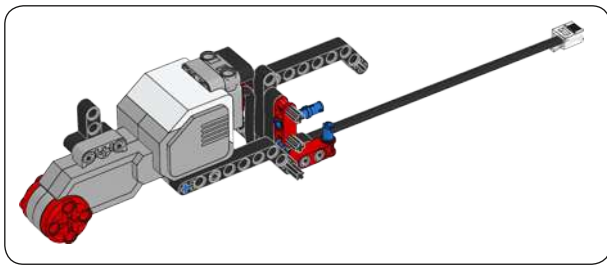


12

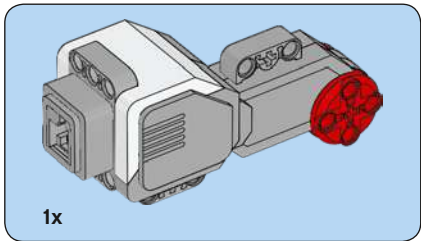
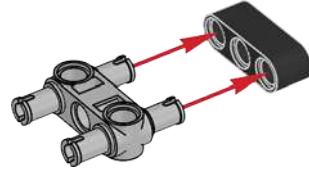


13

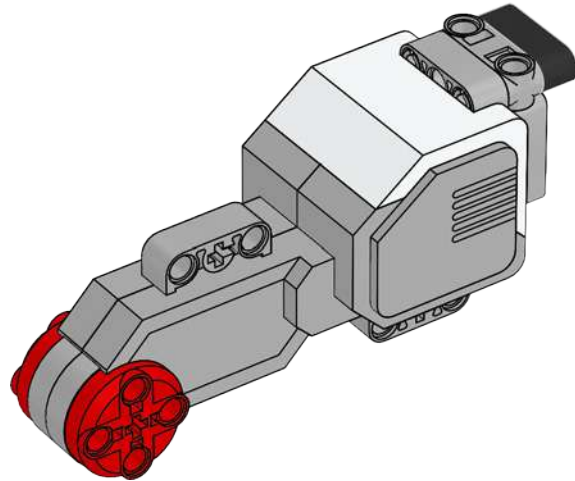


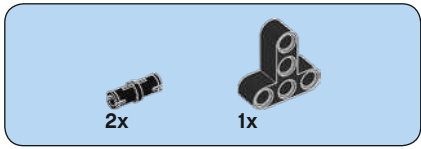


1

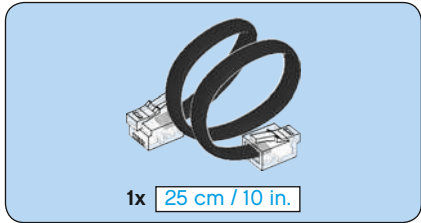
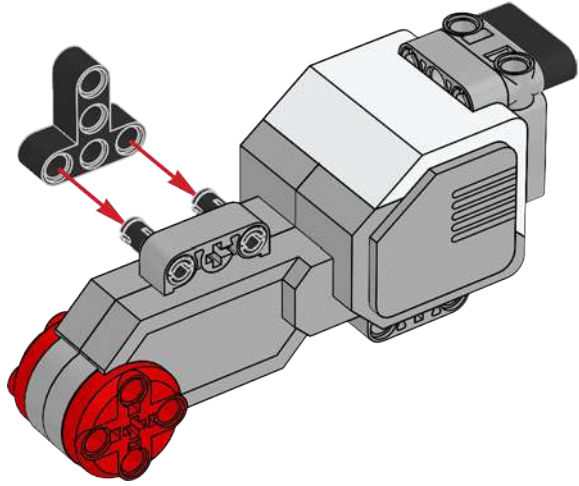


2

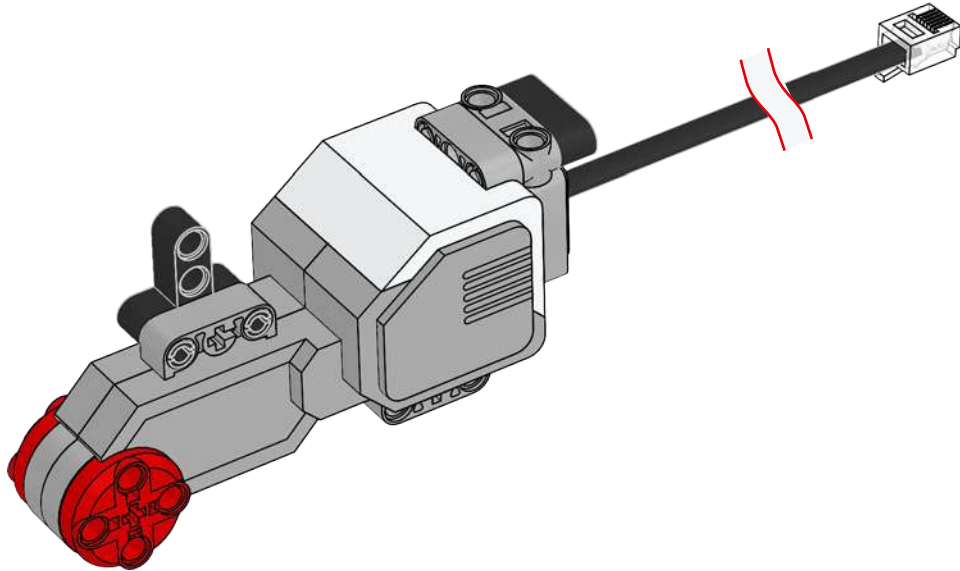


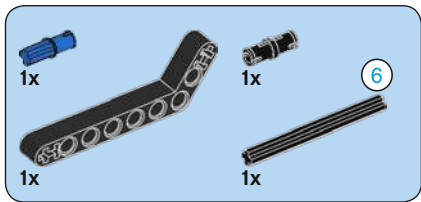


3

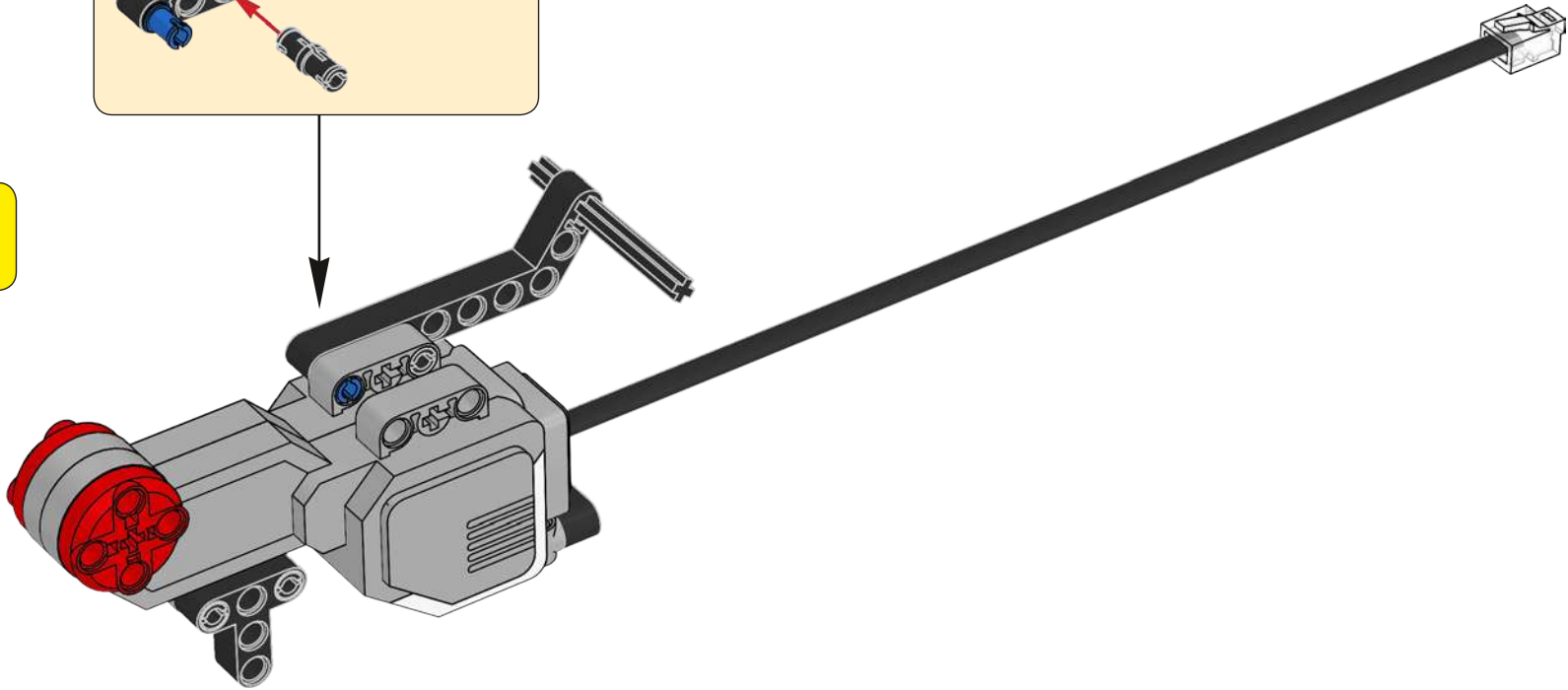
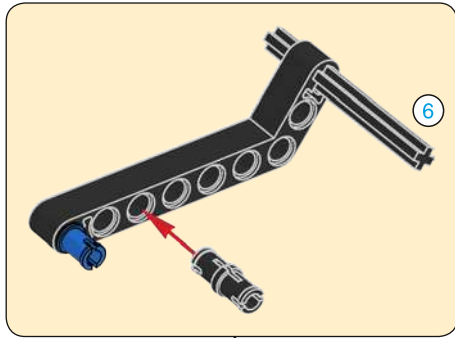


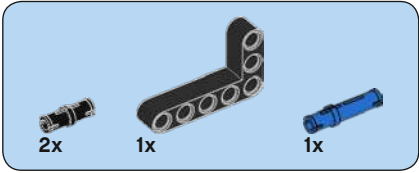
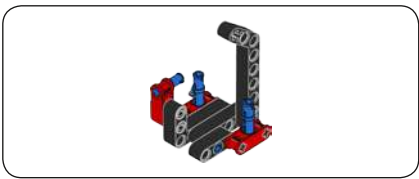
4



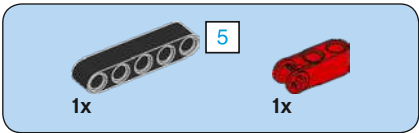
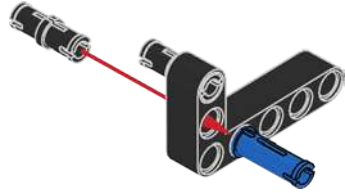


5

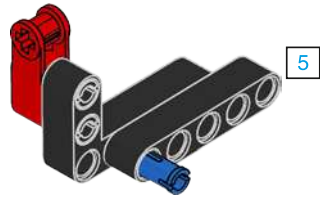




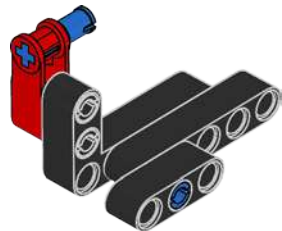
1

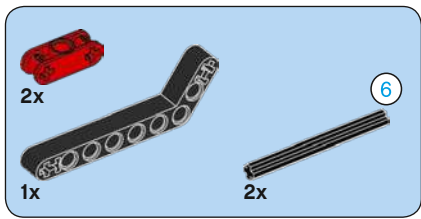


2

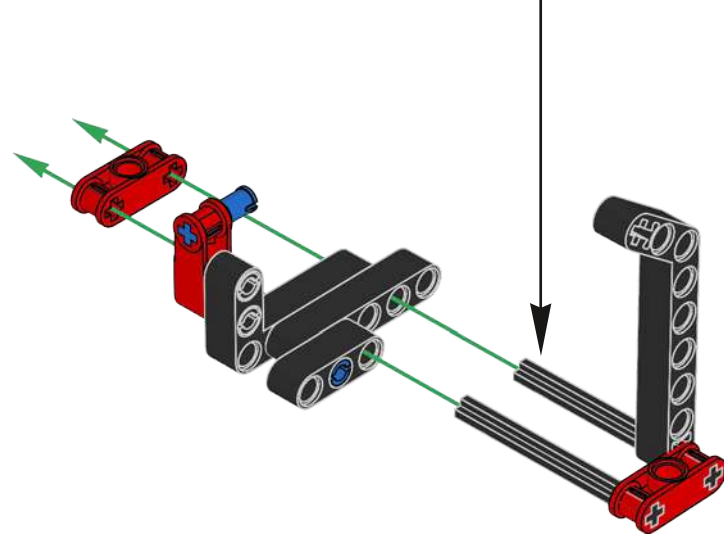
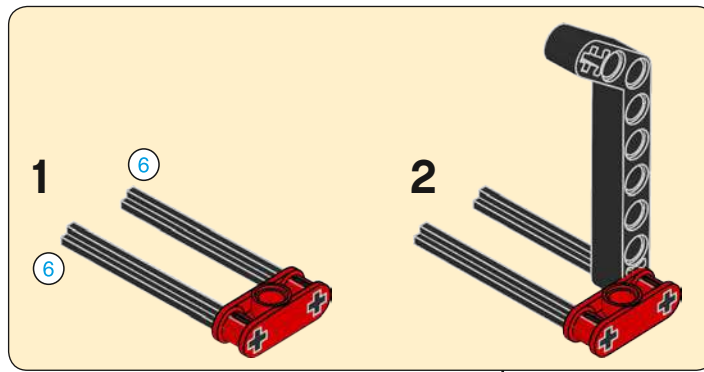


3

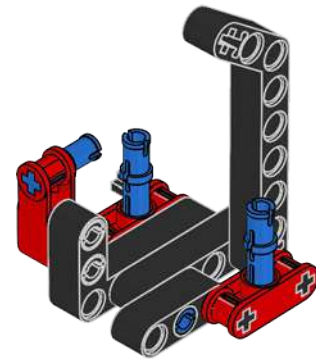




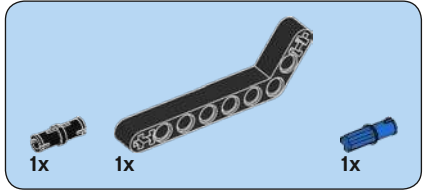
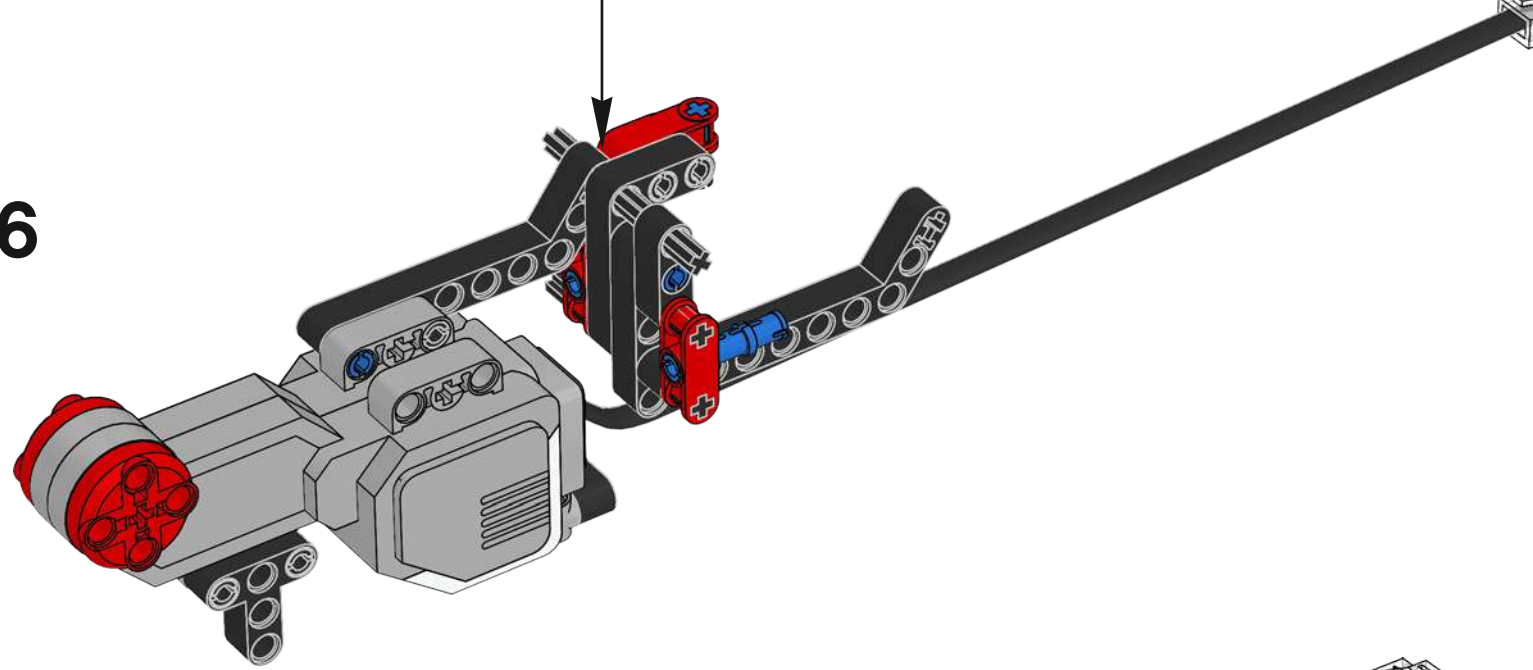
4



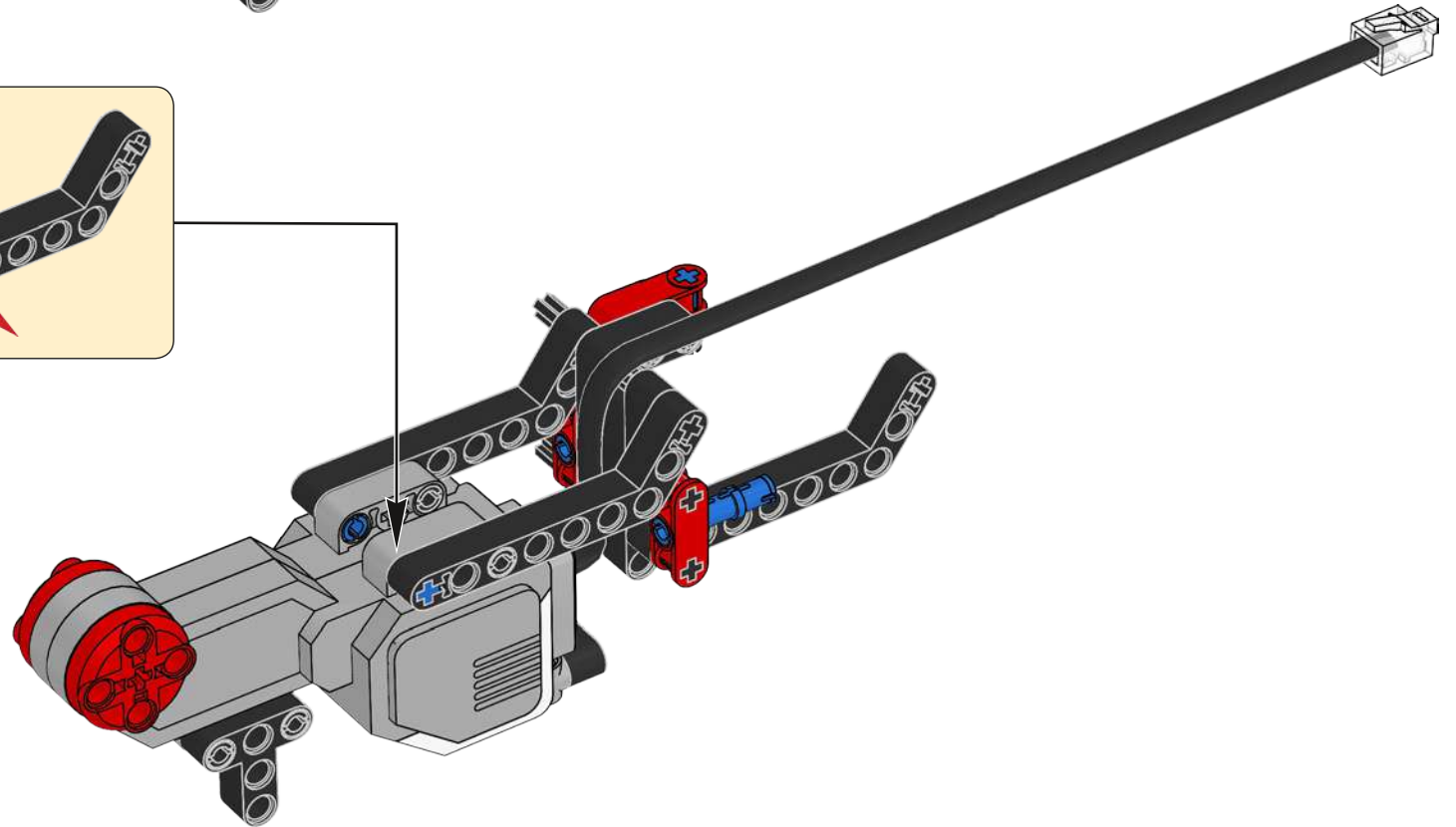
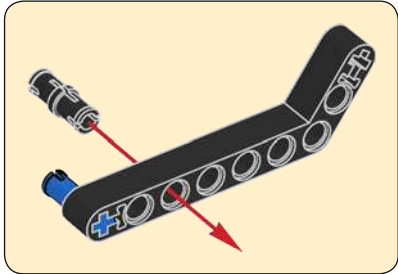
5



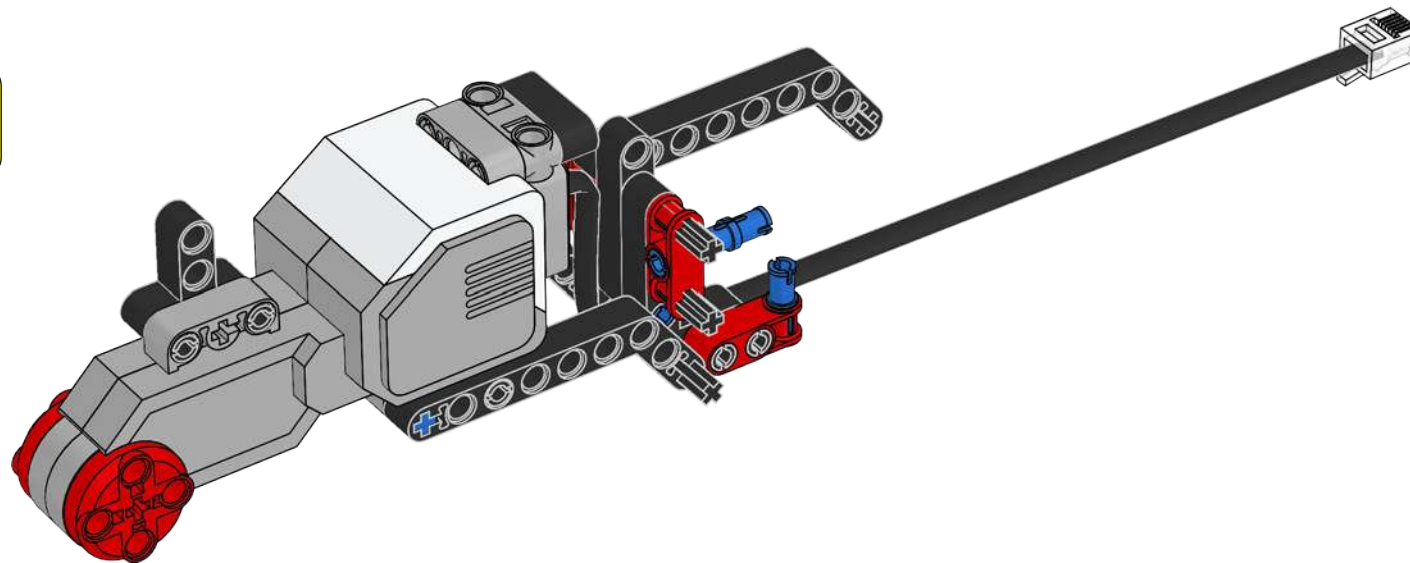
6



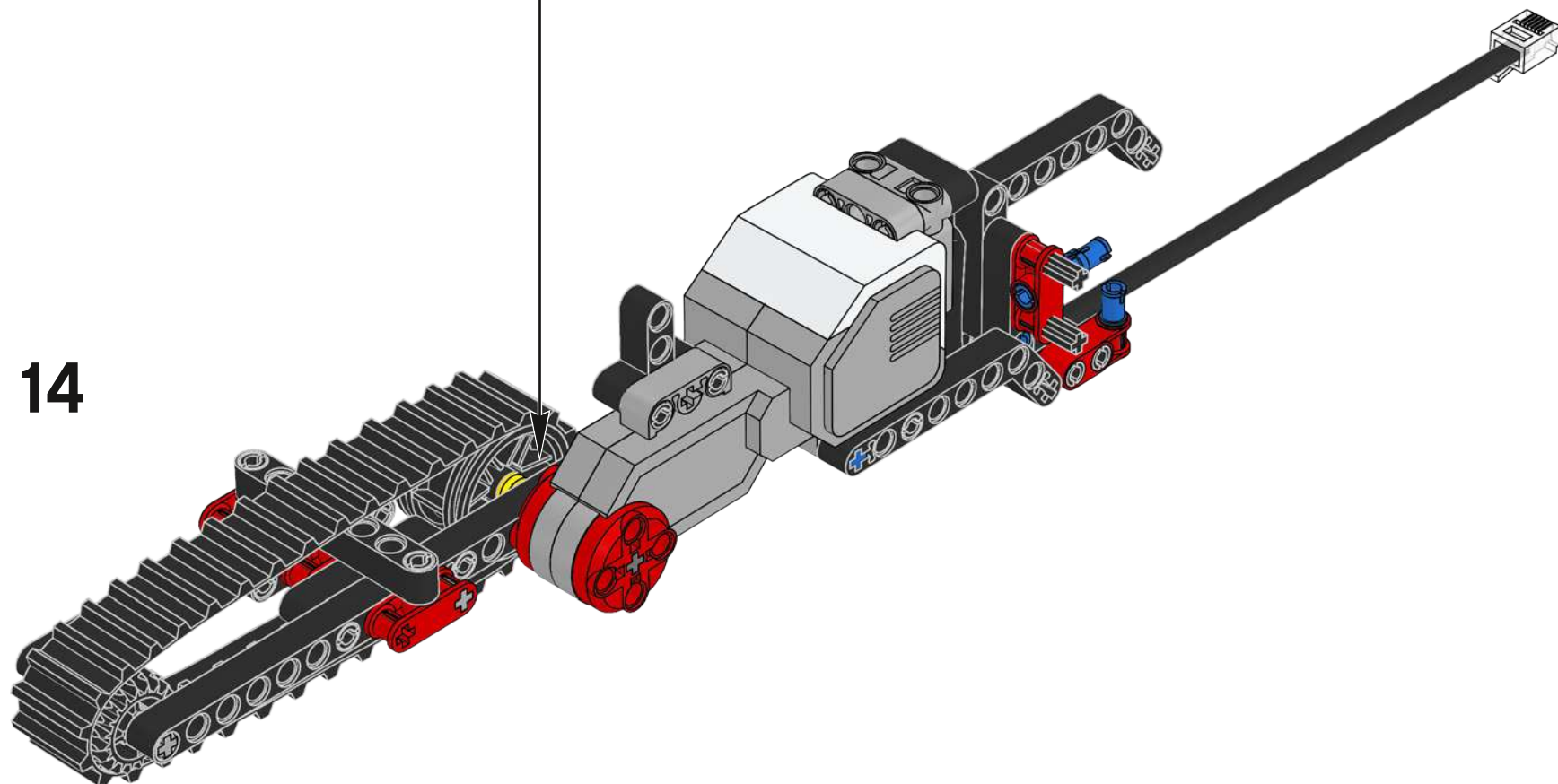
7

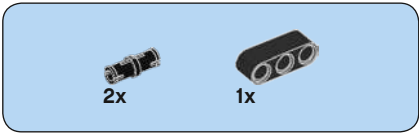
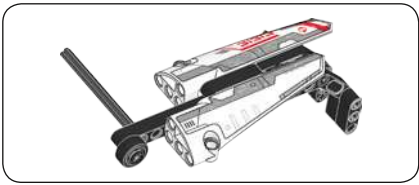


8

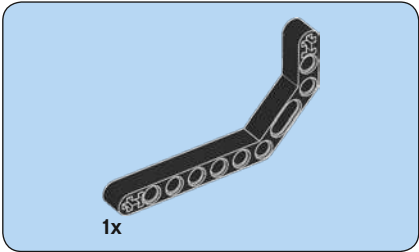
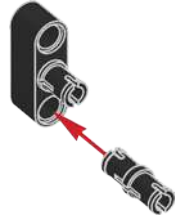


14



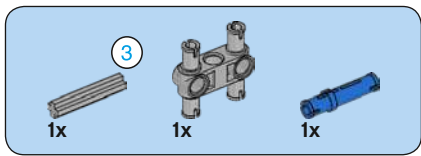


1

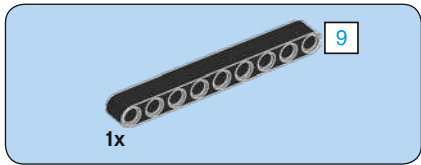
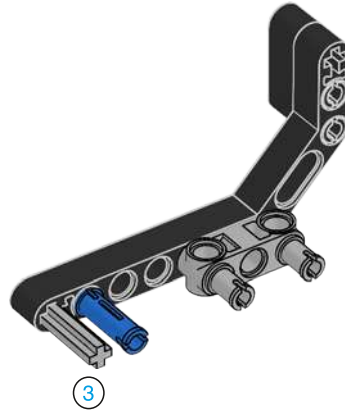


2

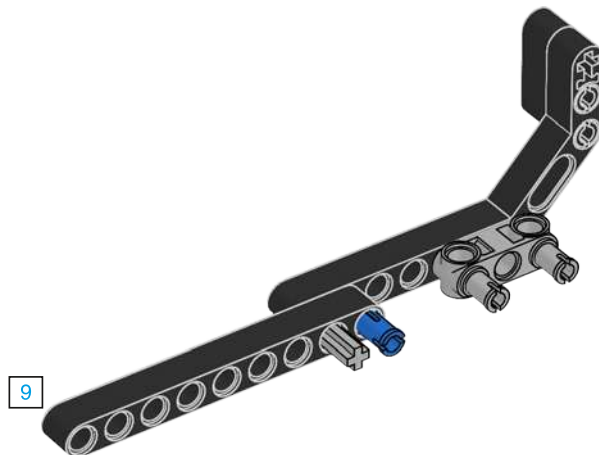


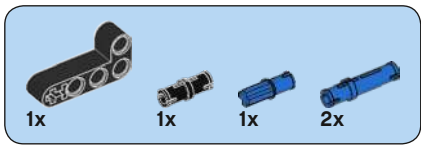


3

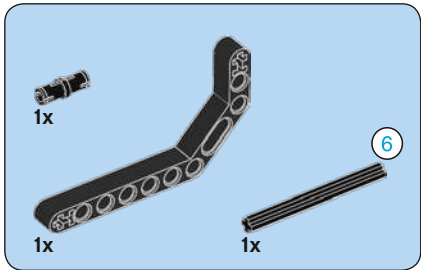
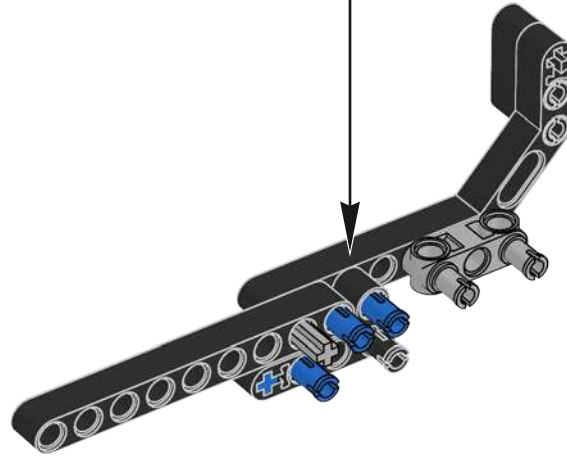
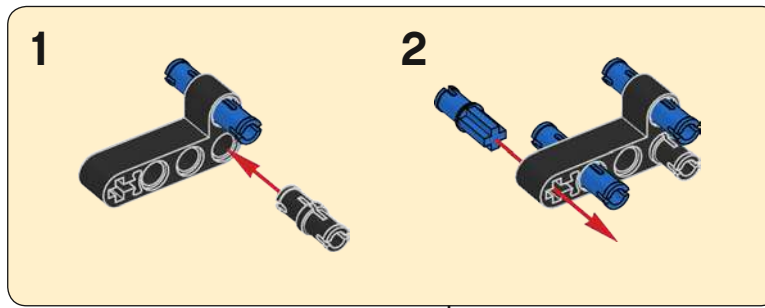


4

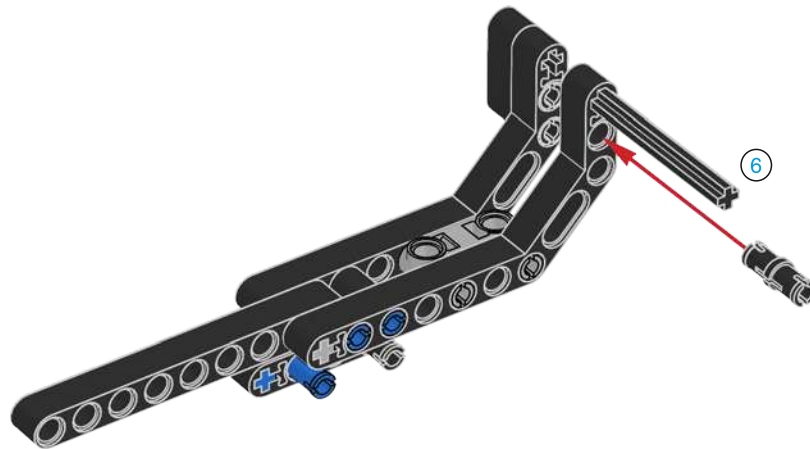


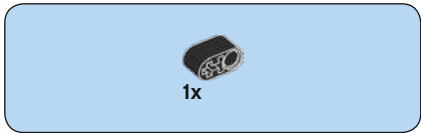


5

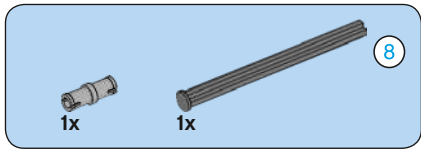
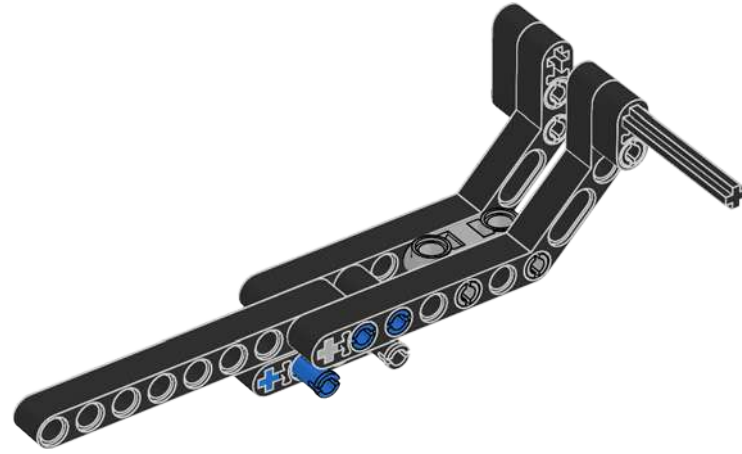


6

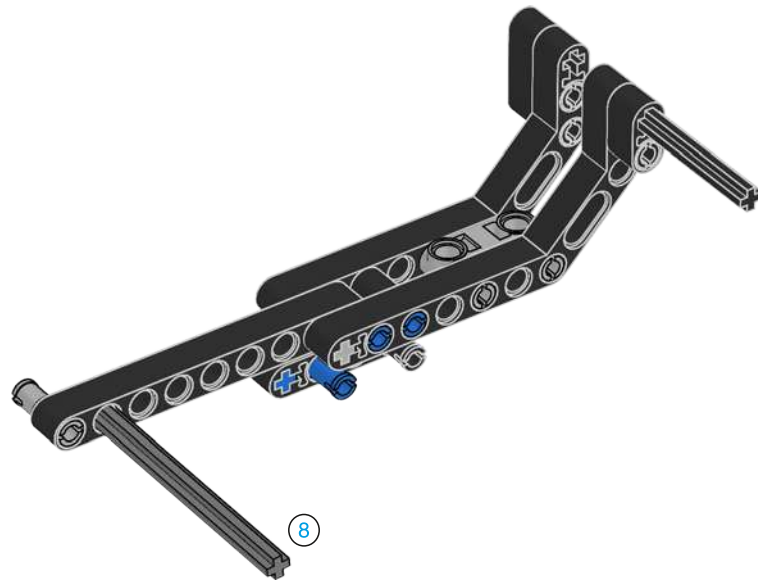


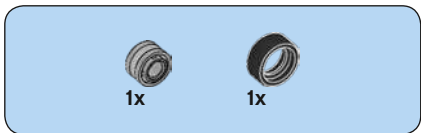


7

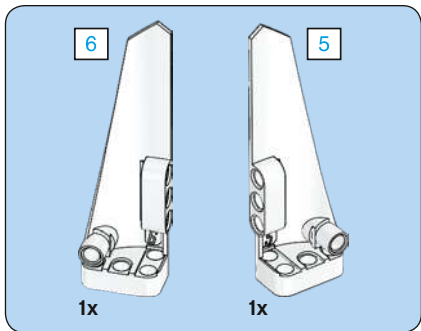
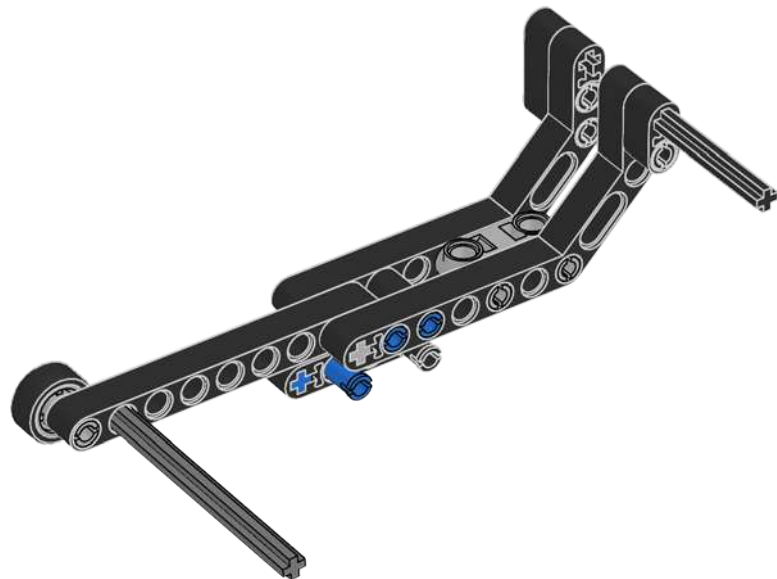


8

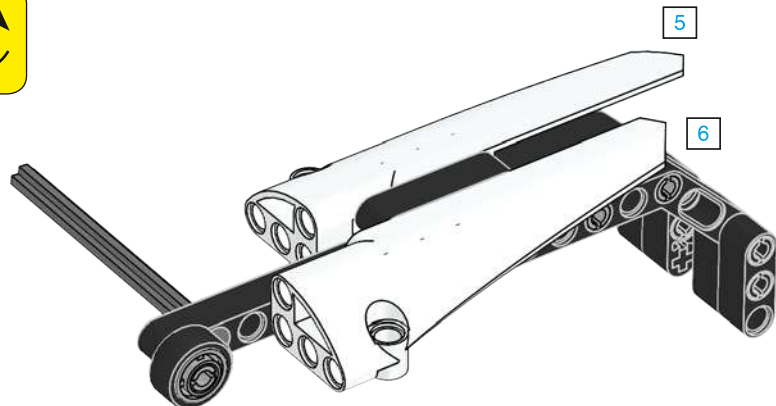




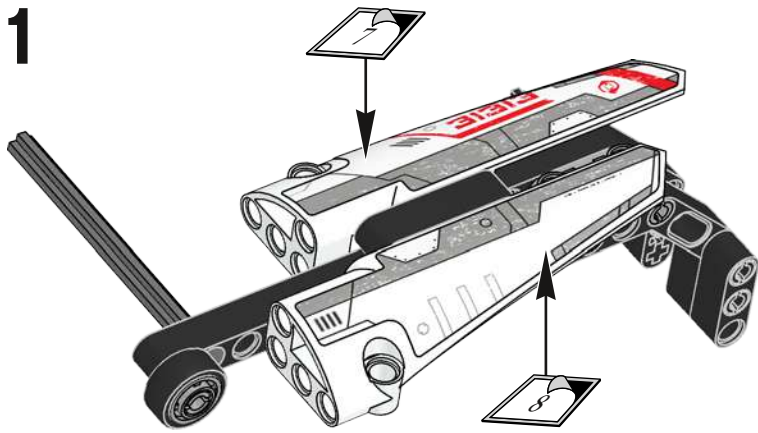
9



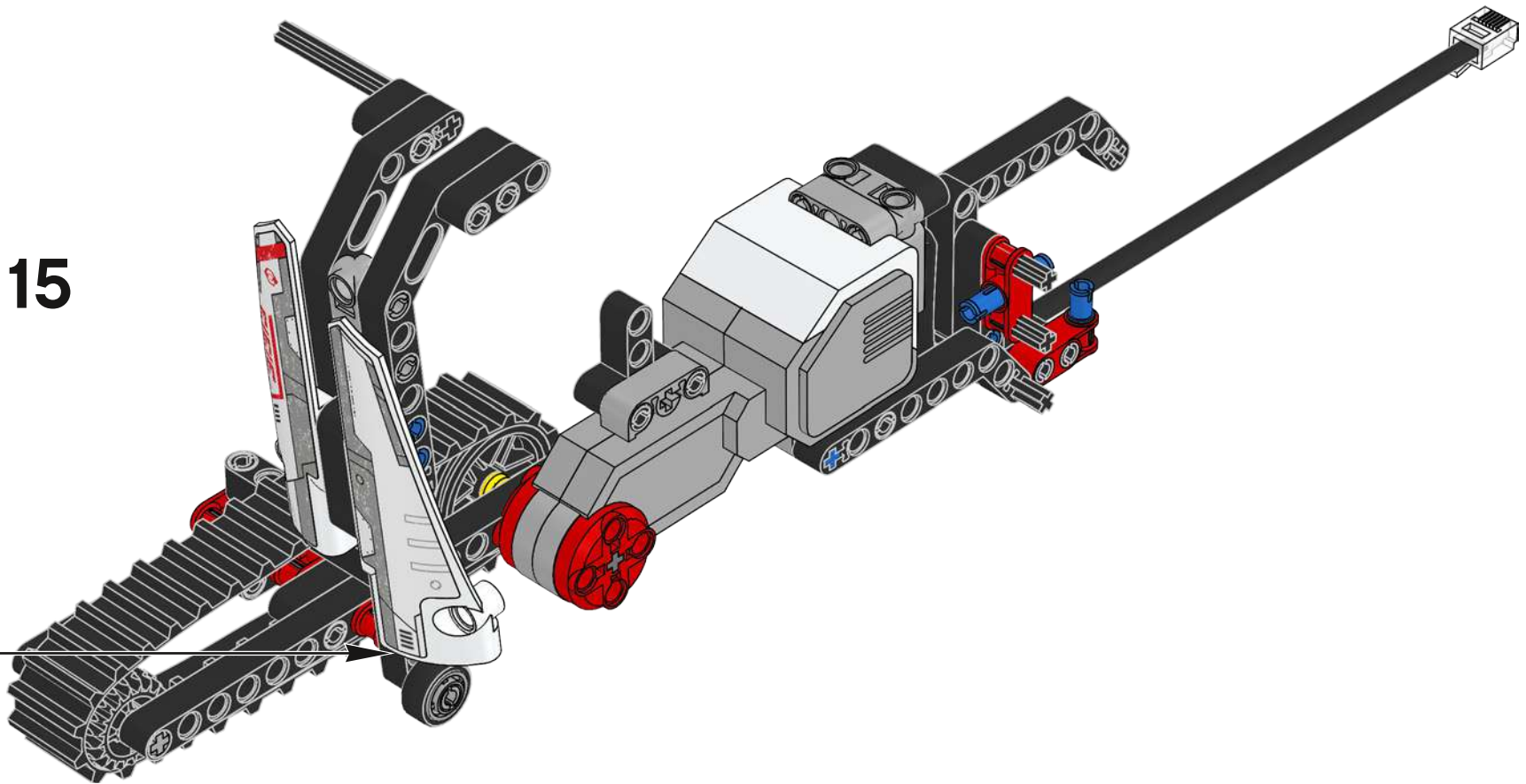
10



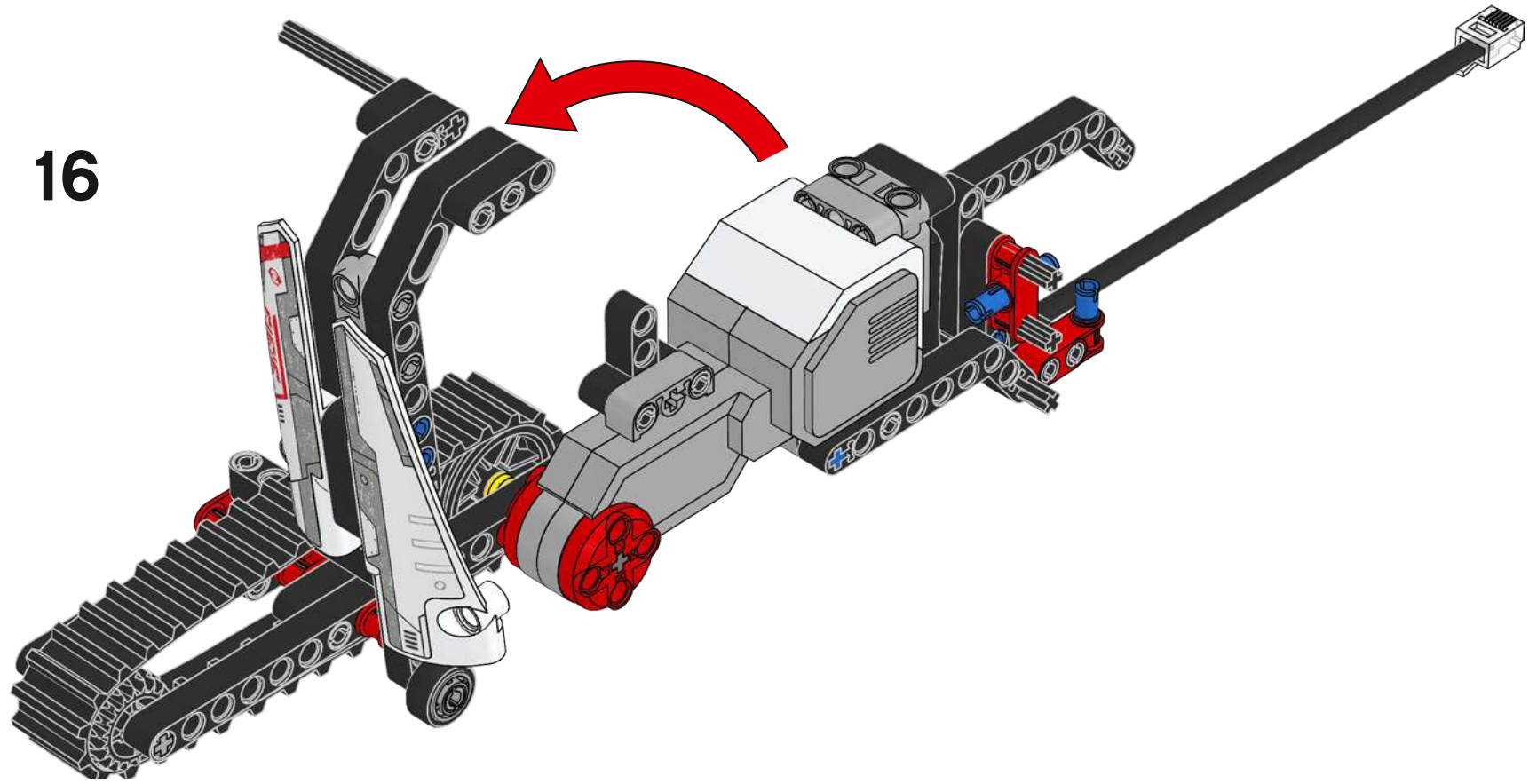
11



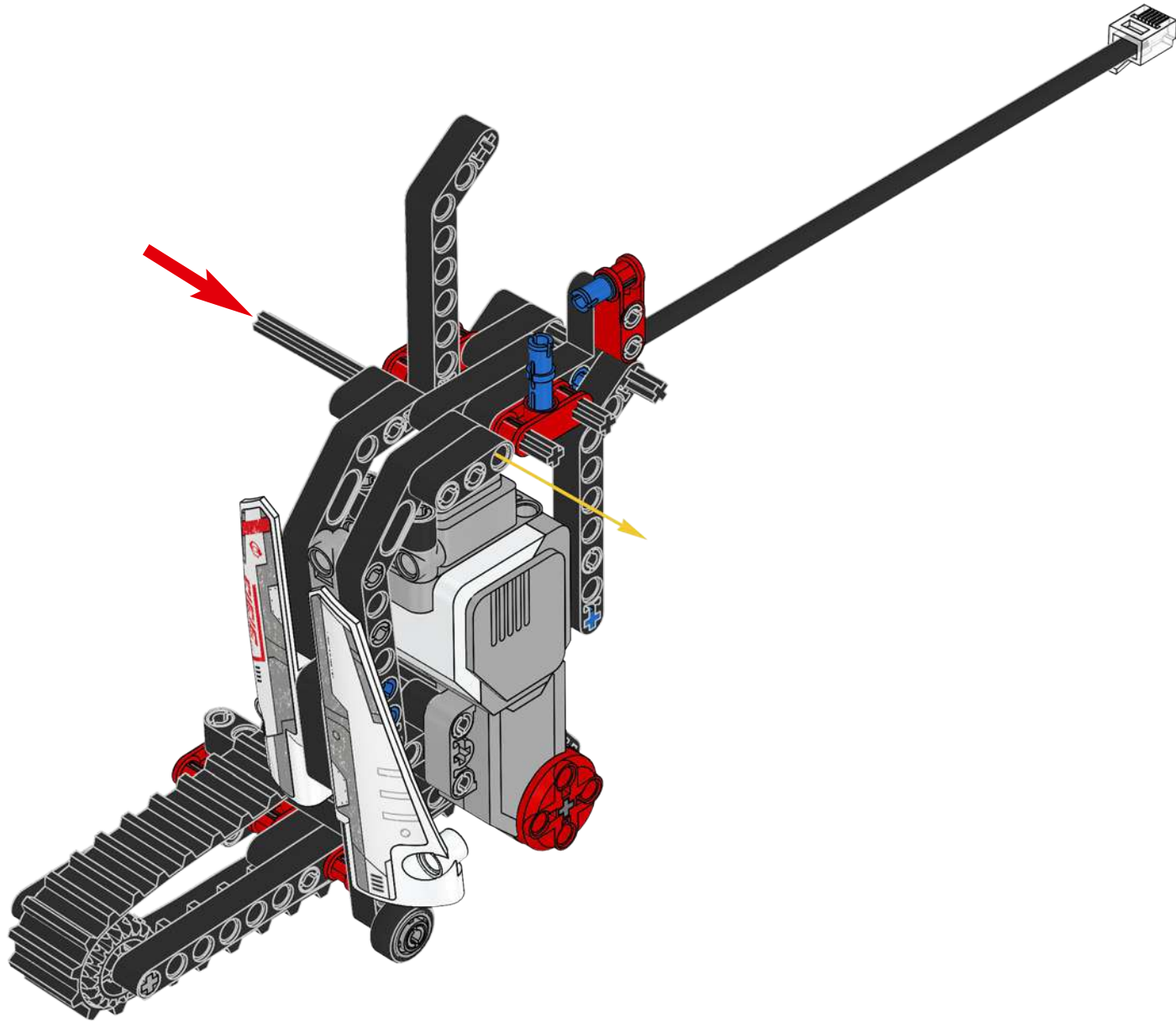
15



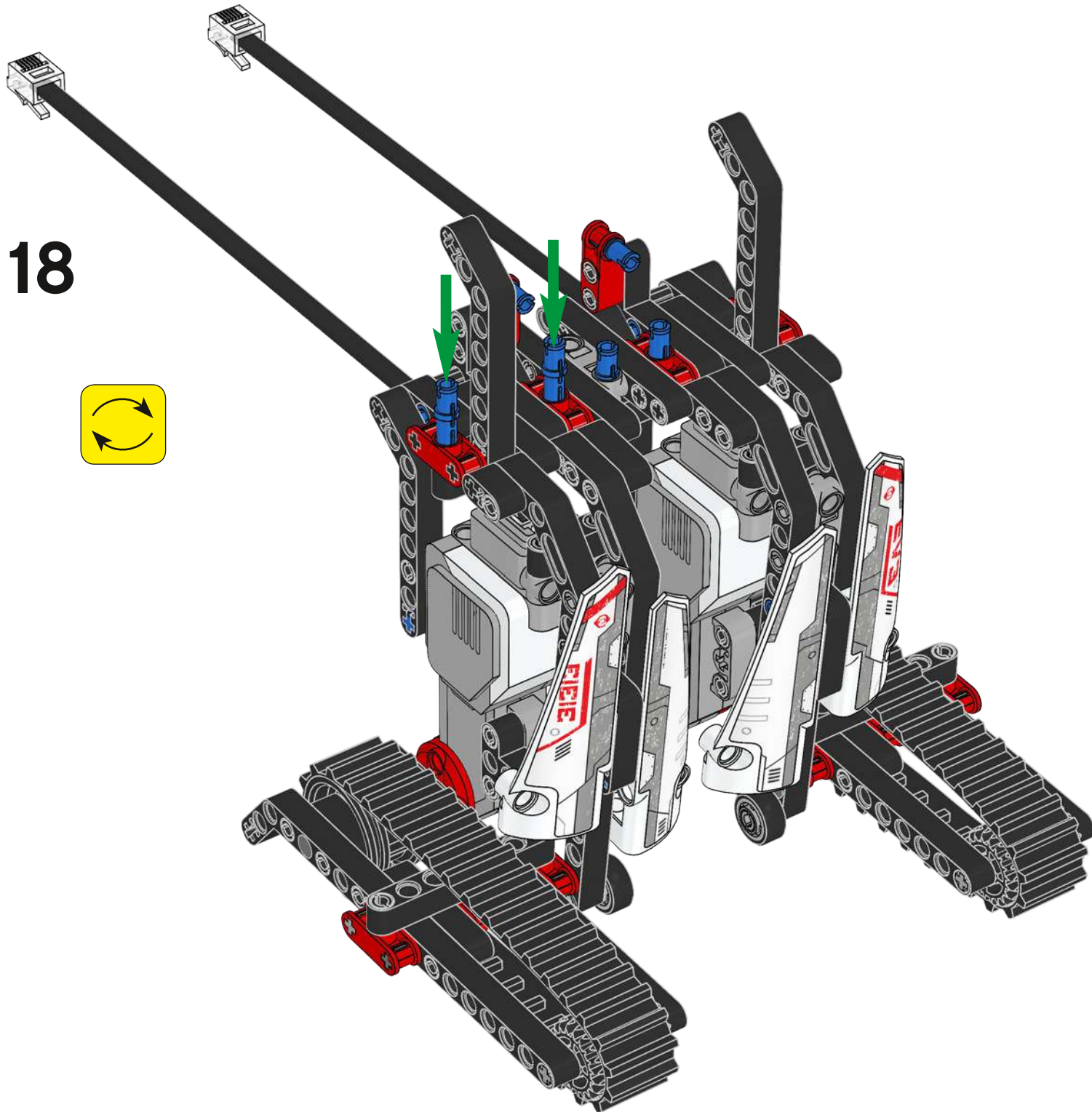
16

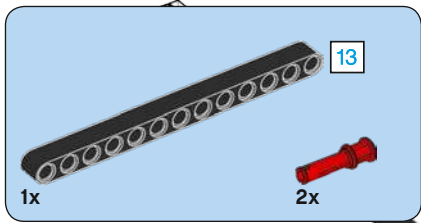


17

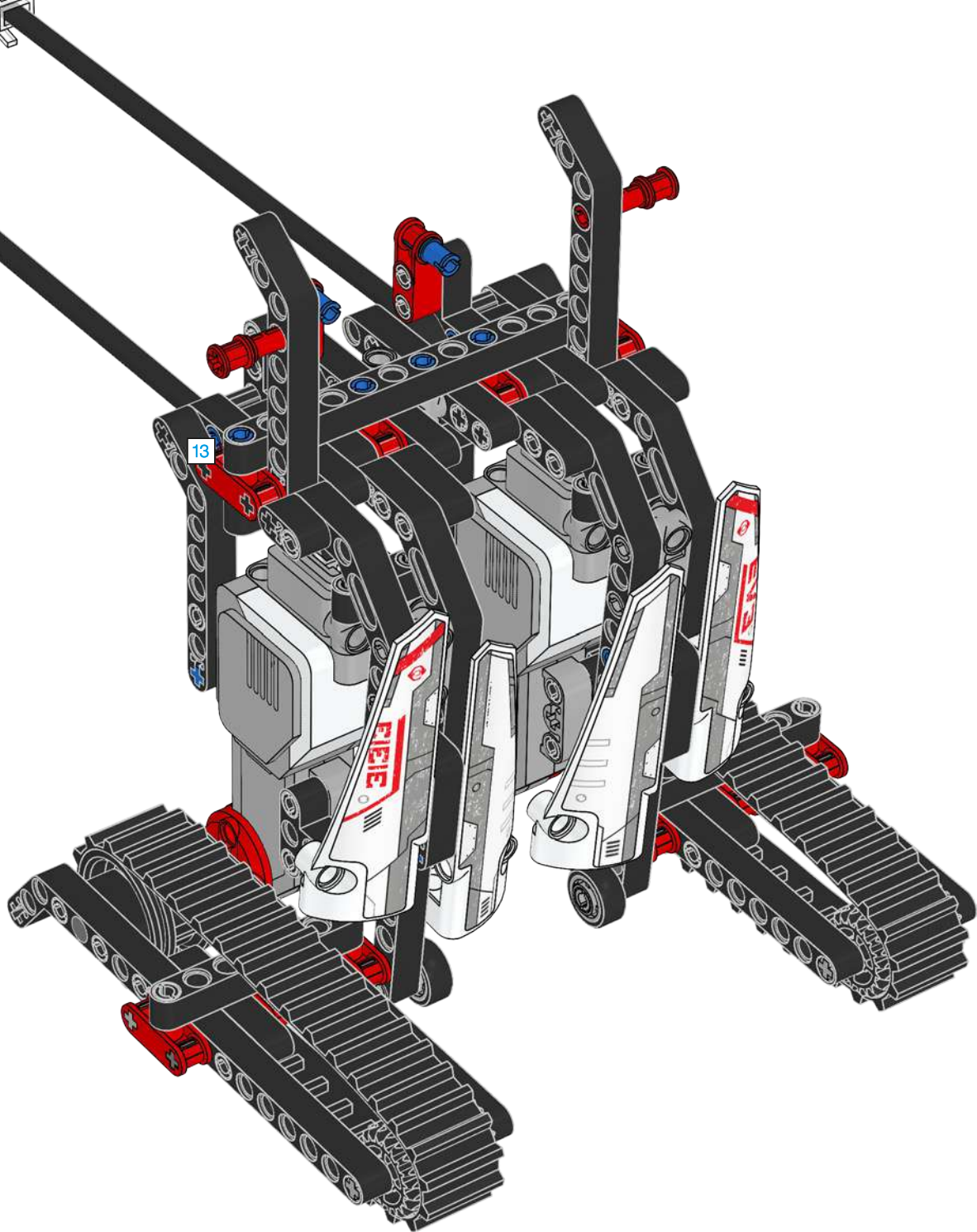


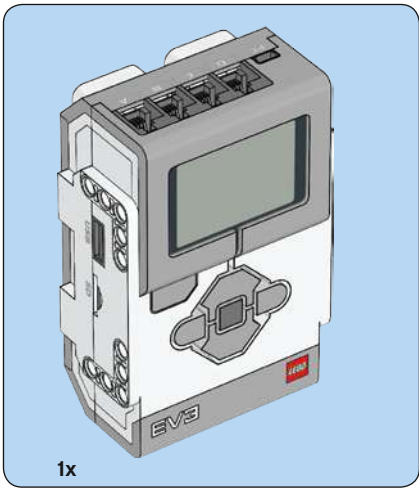
18



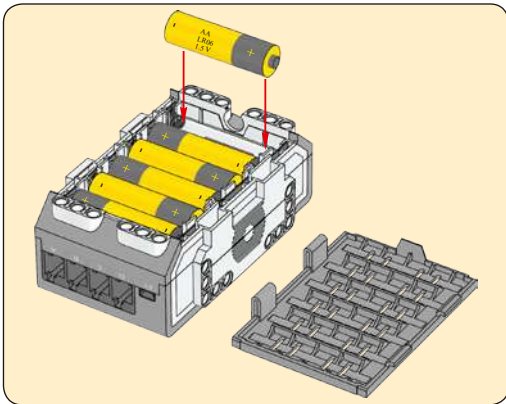


19

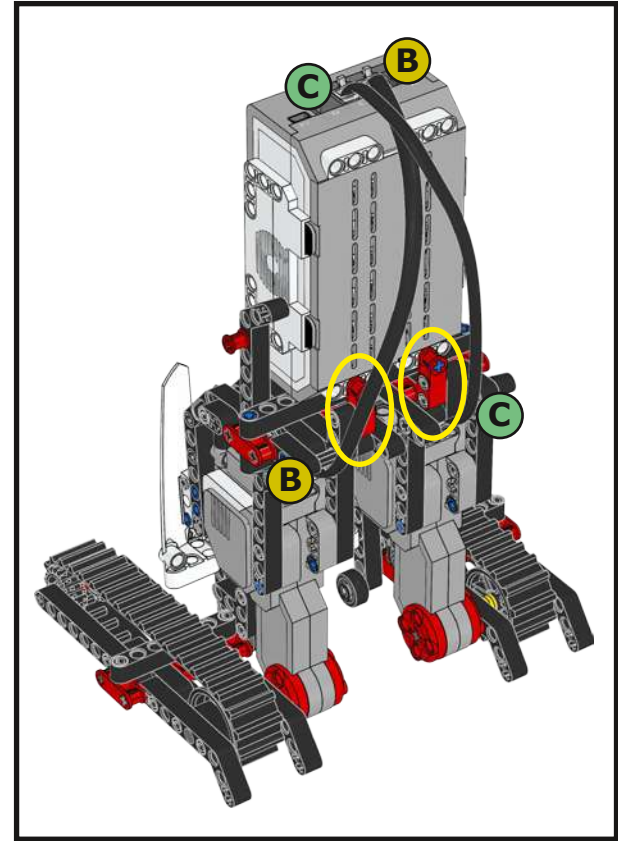
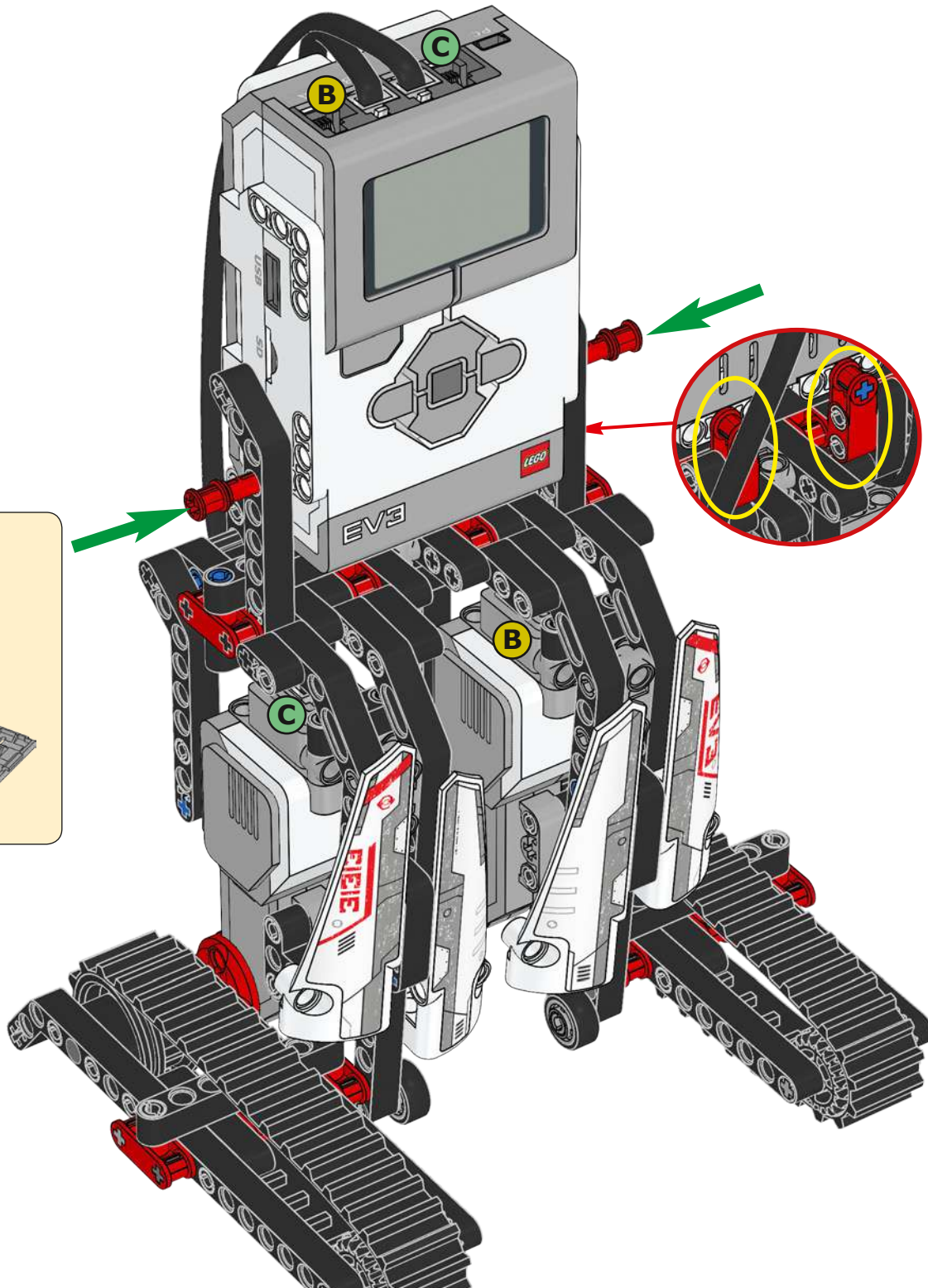


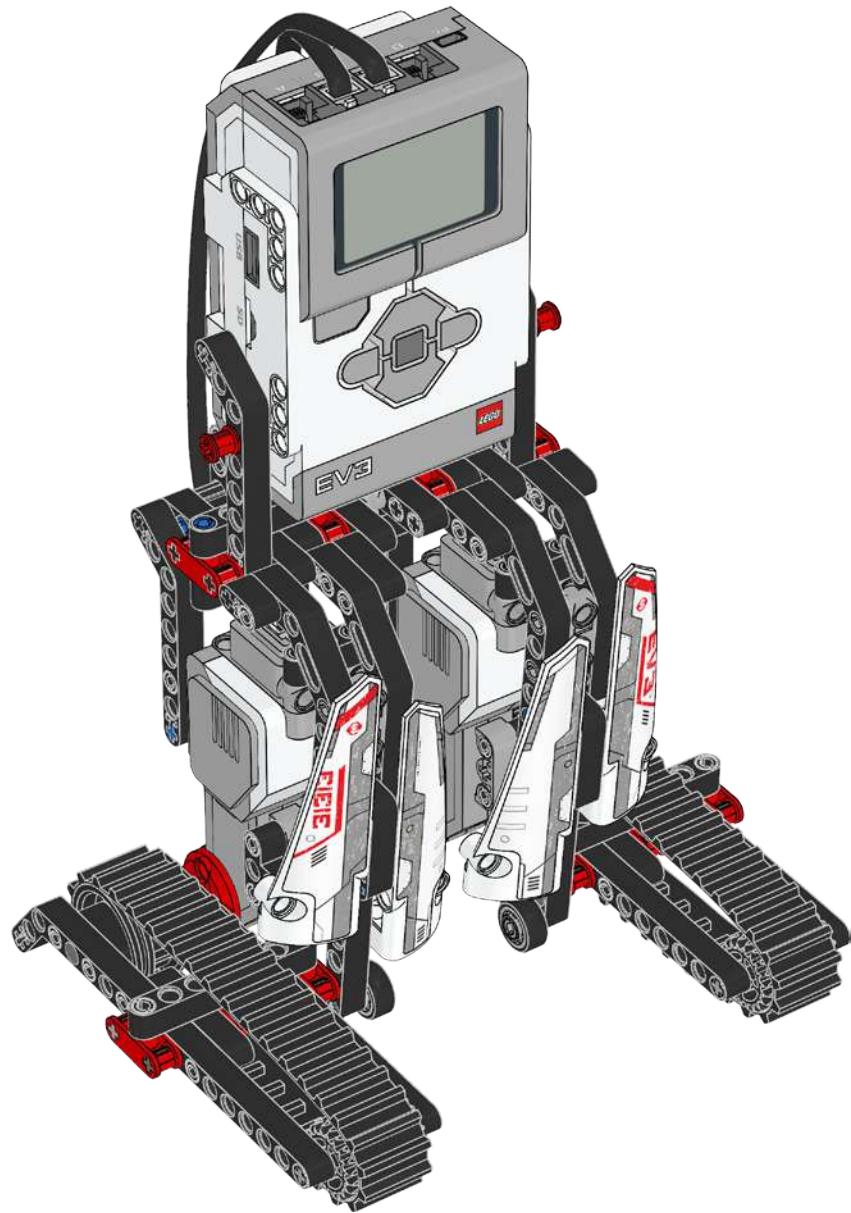


20



AA LR06 1.5 V
x6



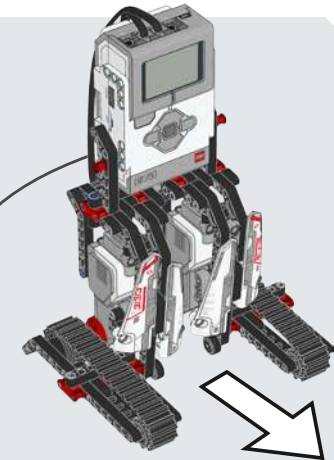




LEGO® MINDSTORMS®
EV3 Programmer
The LEGO Group



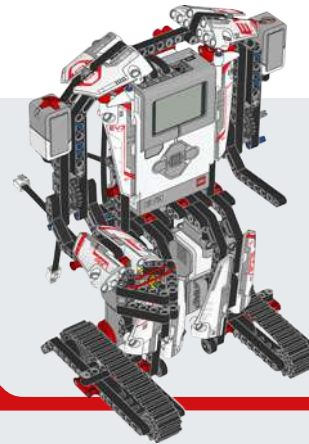
MISSION 01

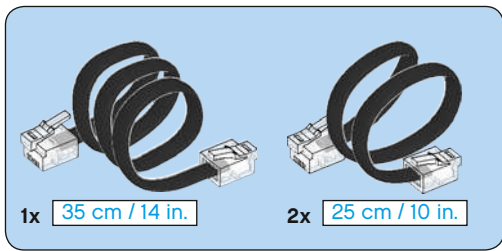


LEGO.com/mindstorms/software



MISSION 02

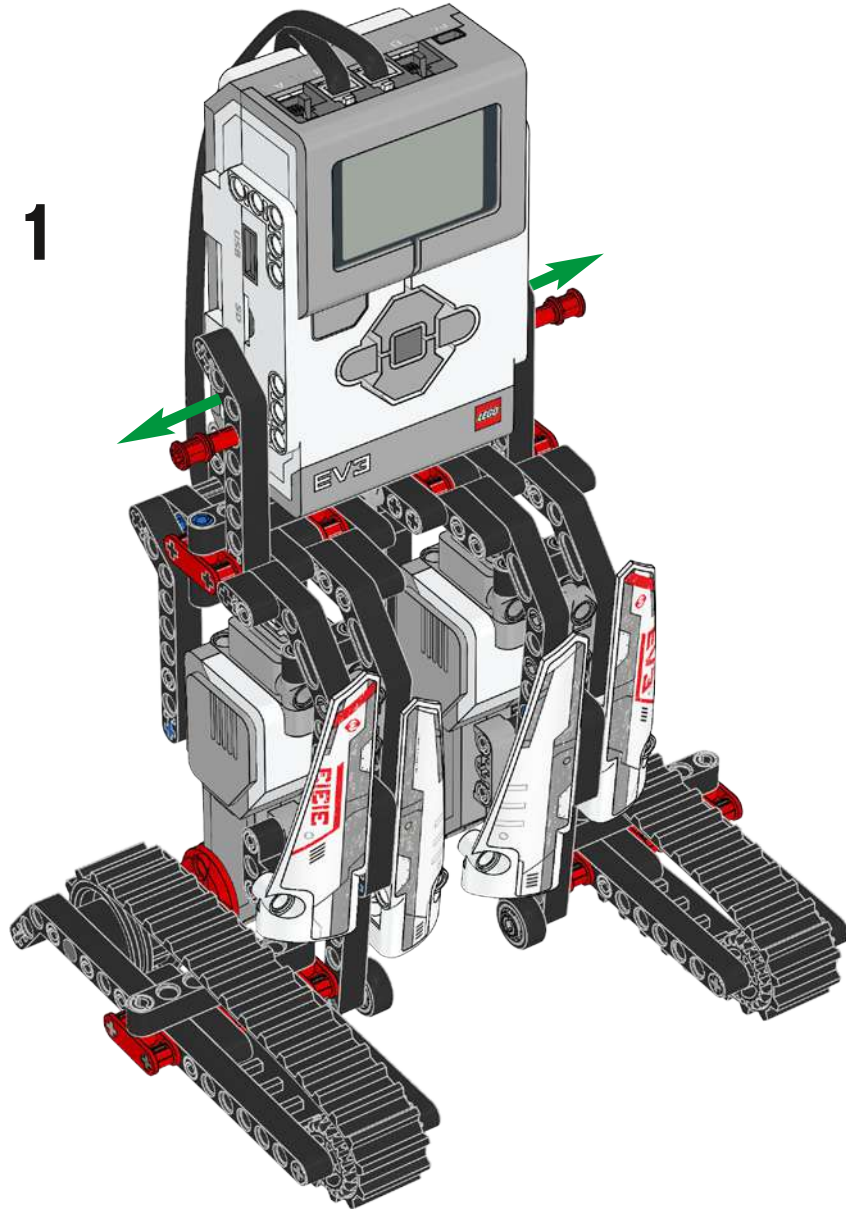


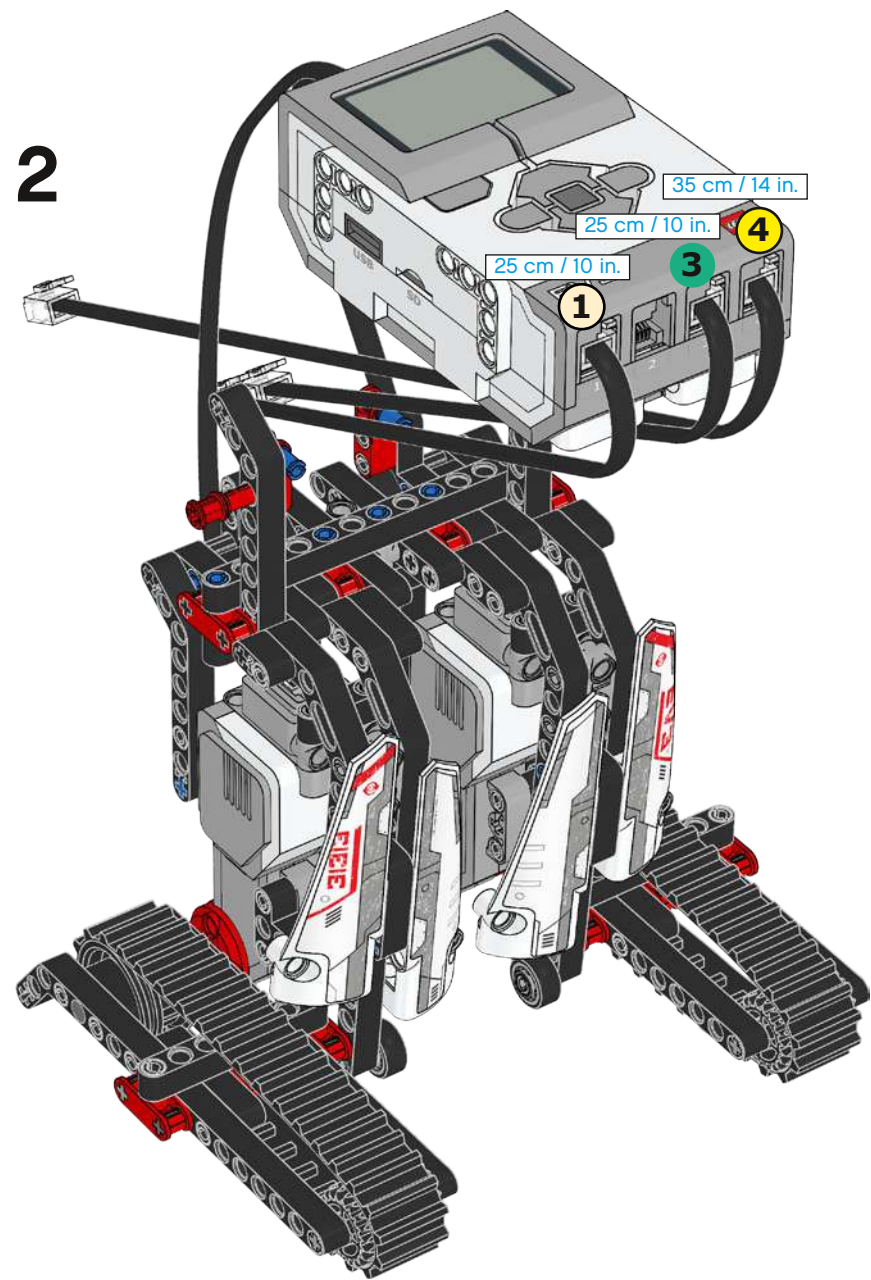


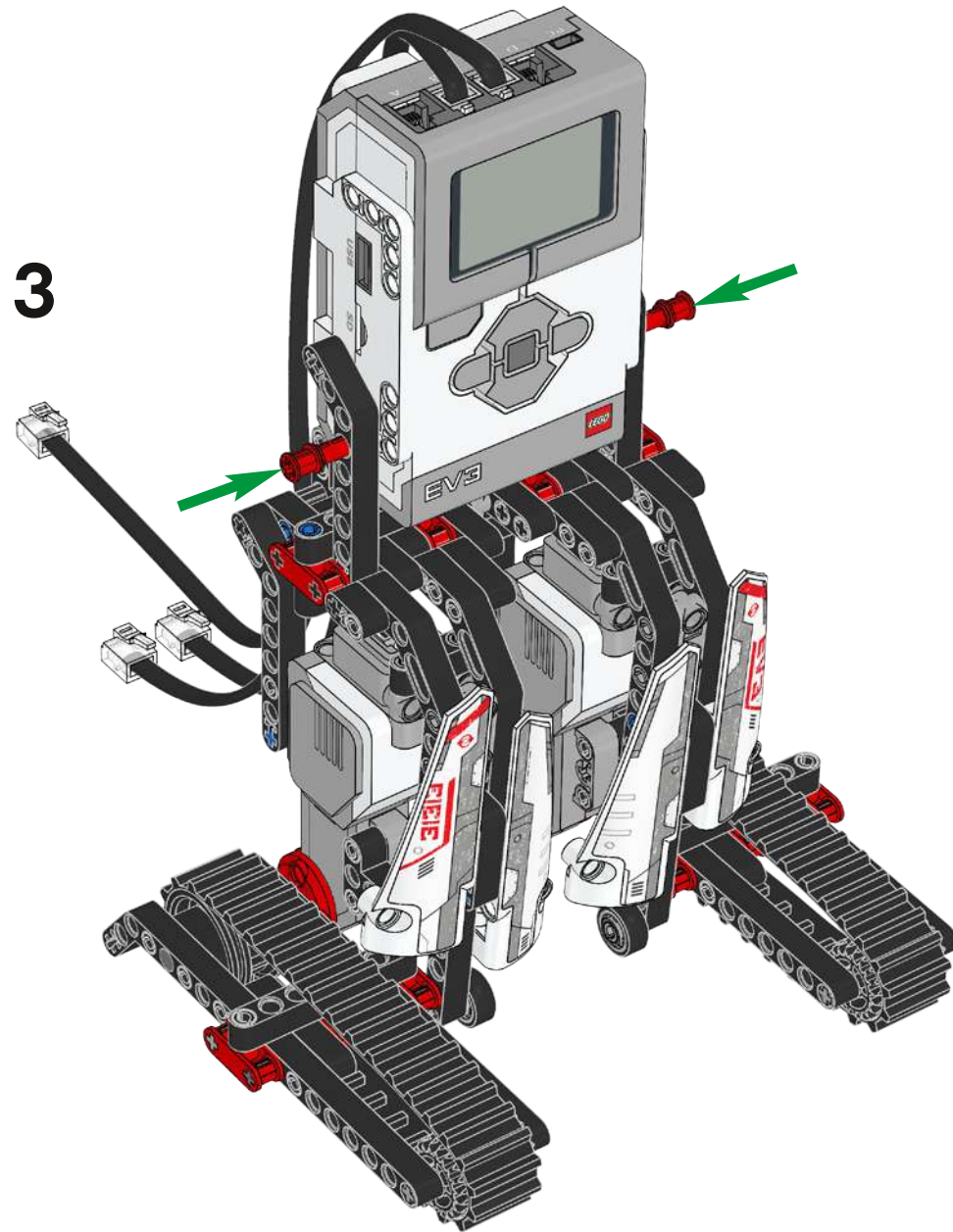
21

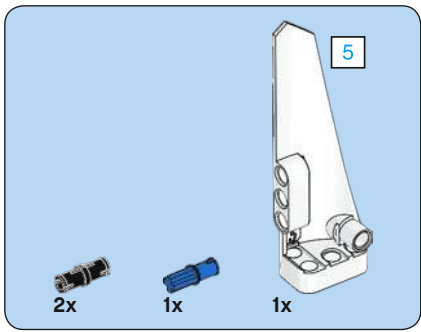


1

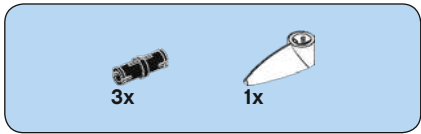
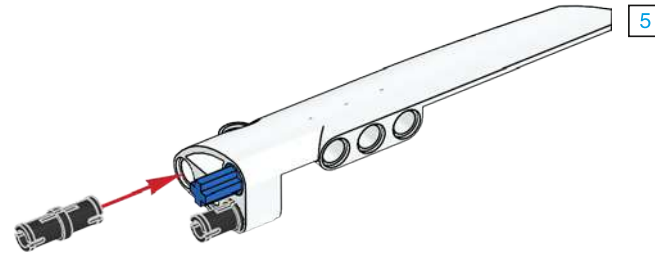








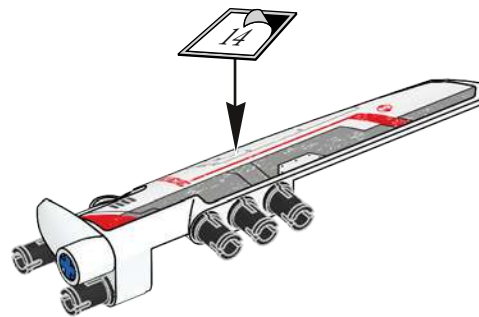
1



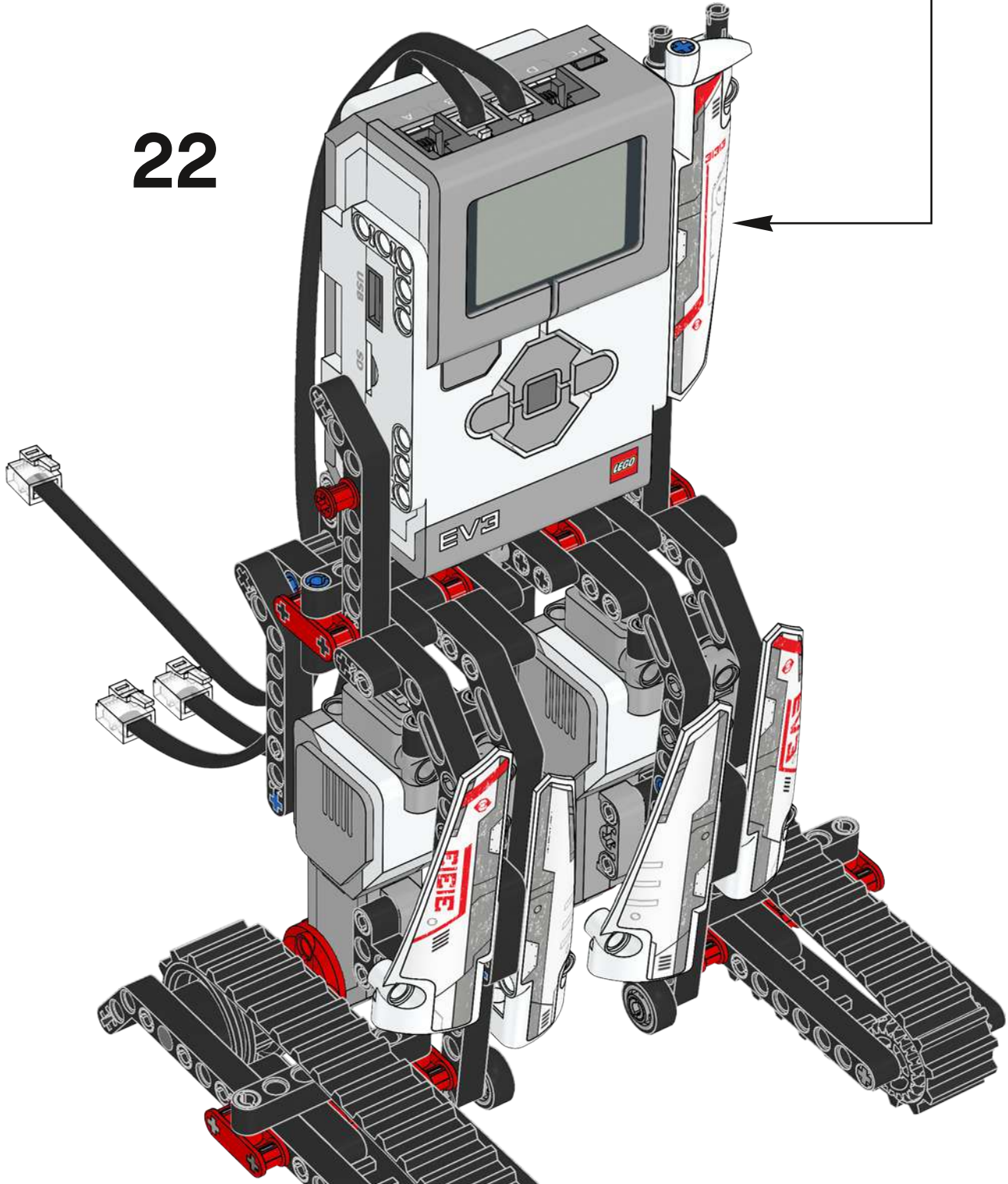
2

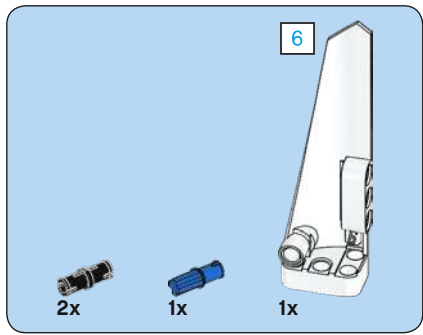


3

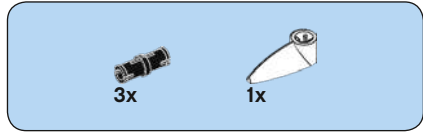
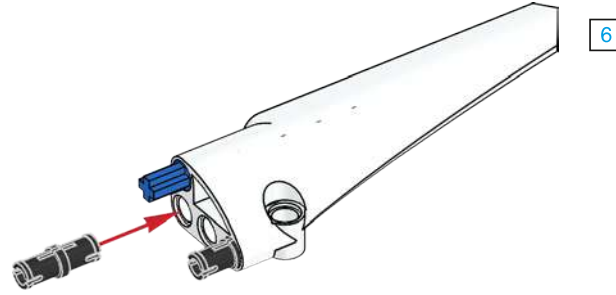


22

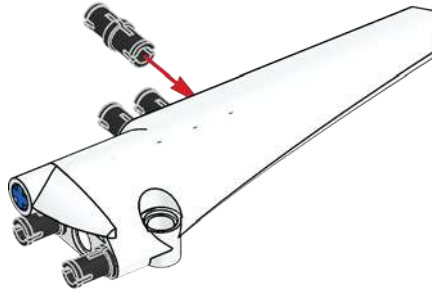




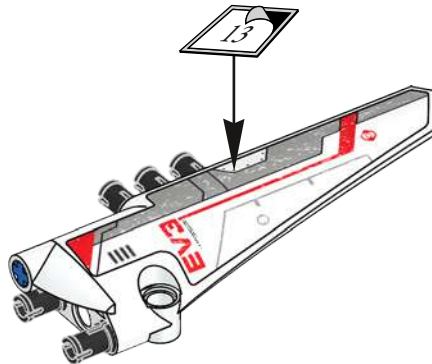
1



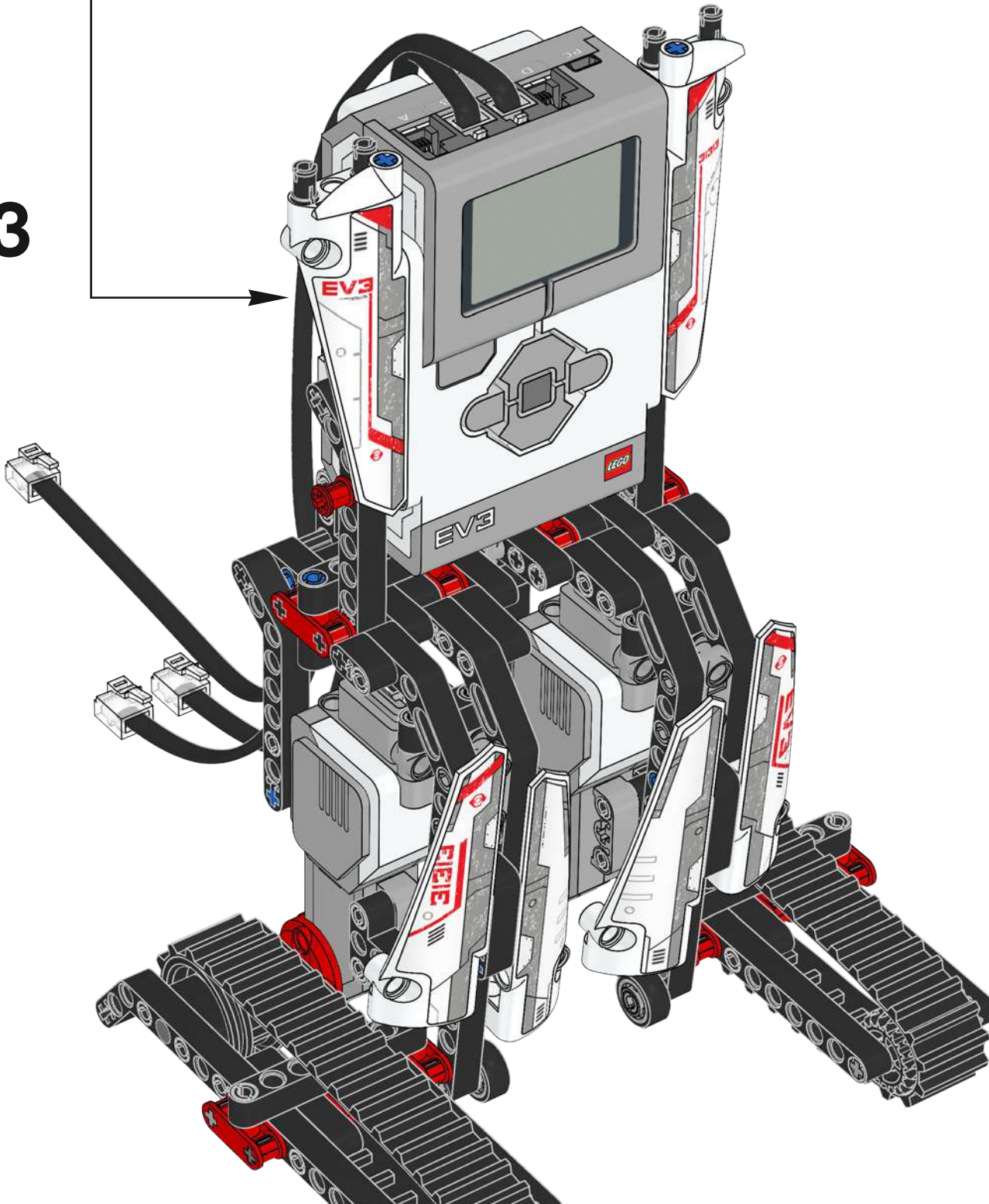
2

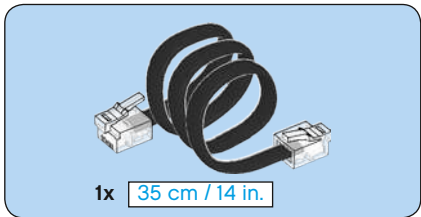


3

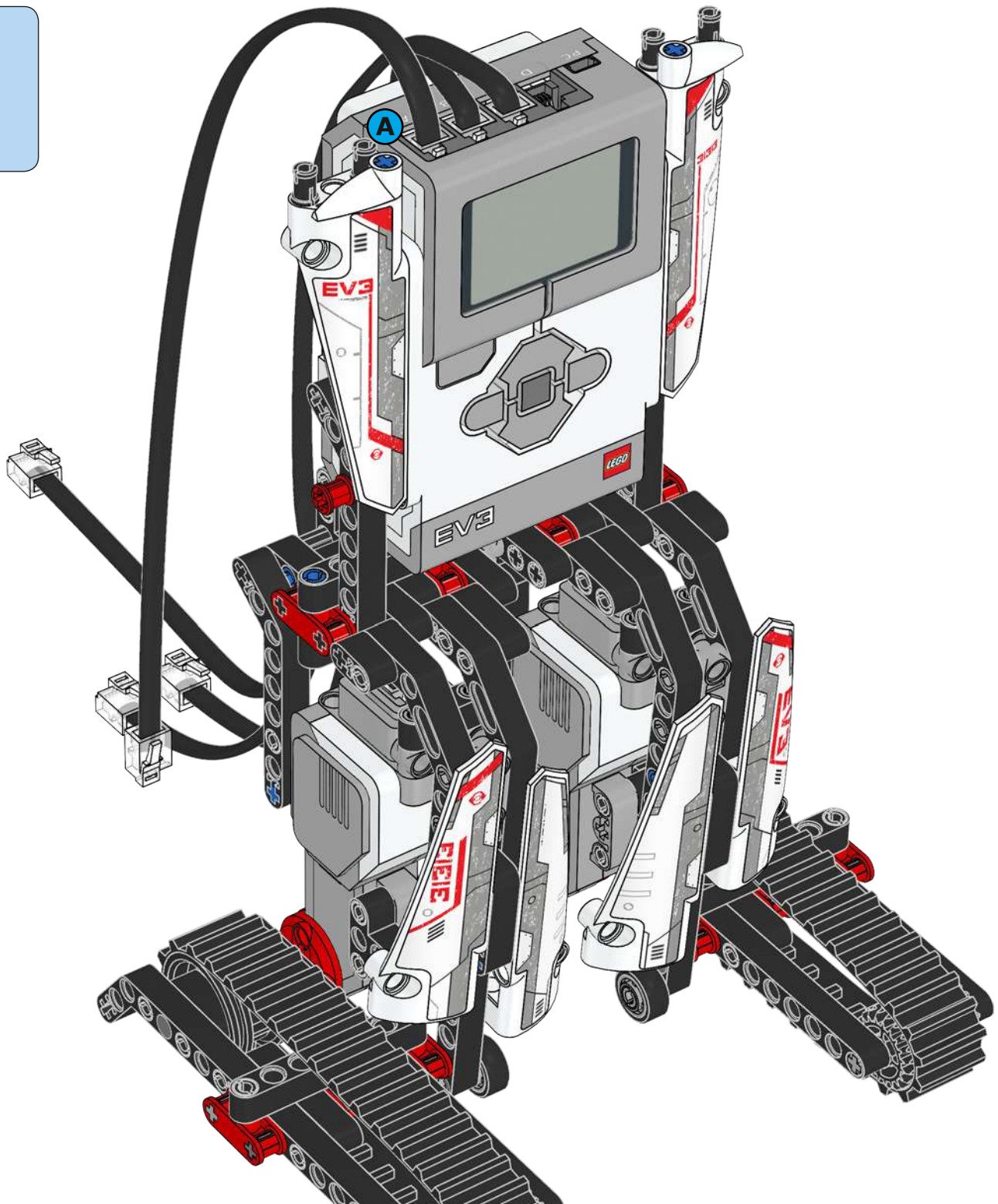


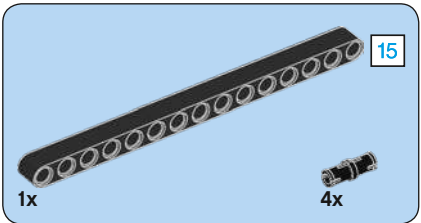
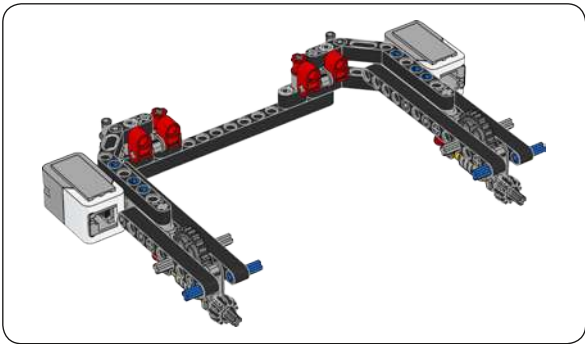
23



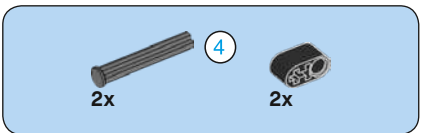
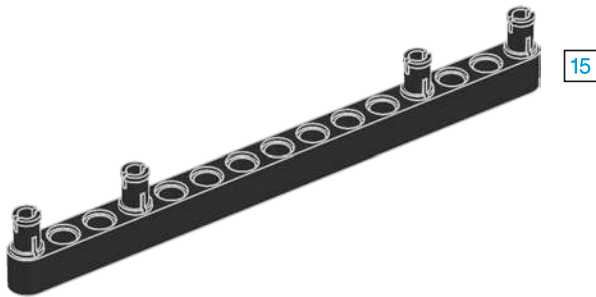


24

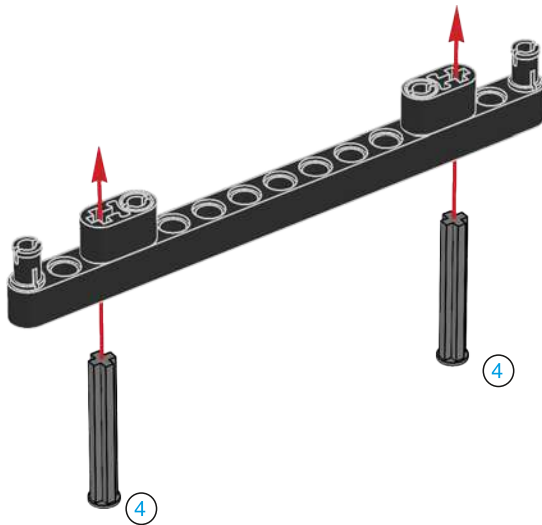


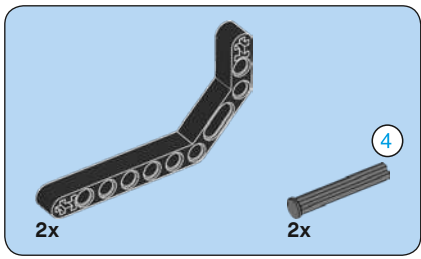


1

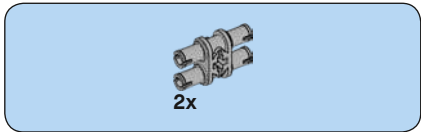
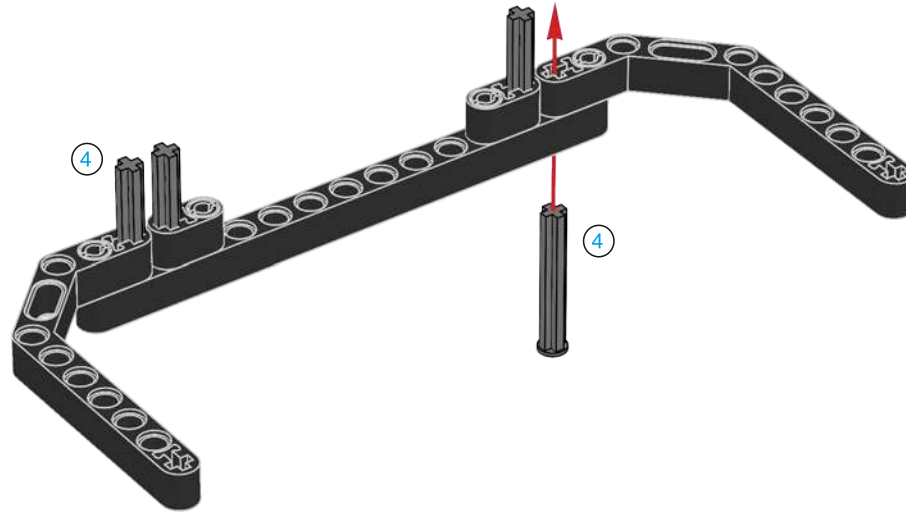


2

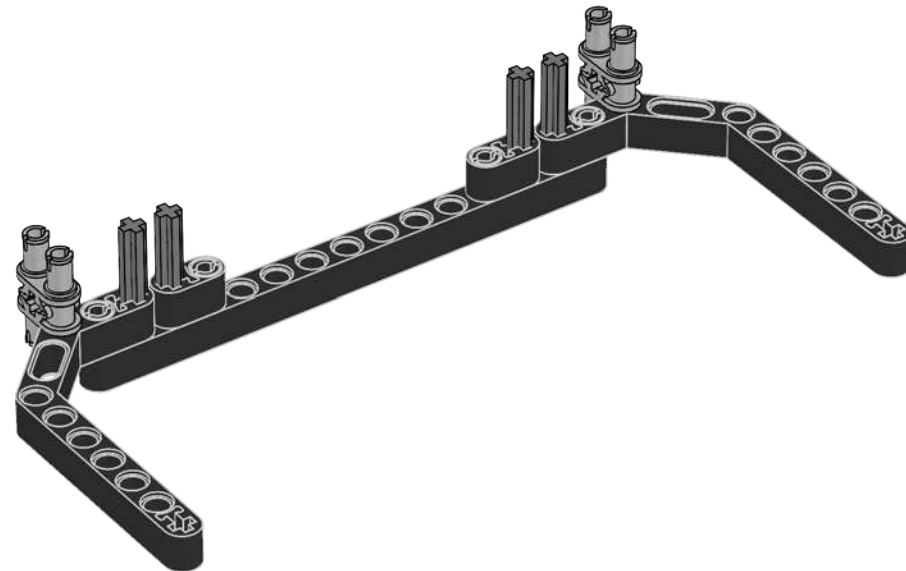


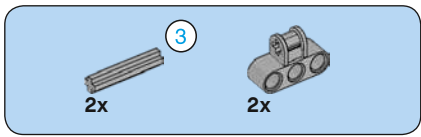


3

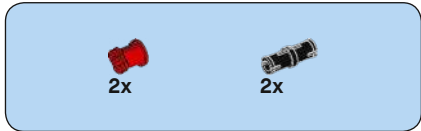
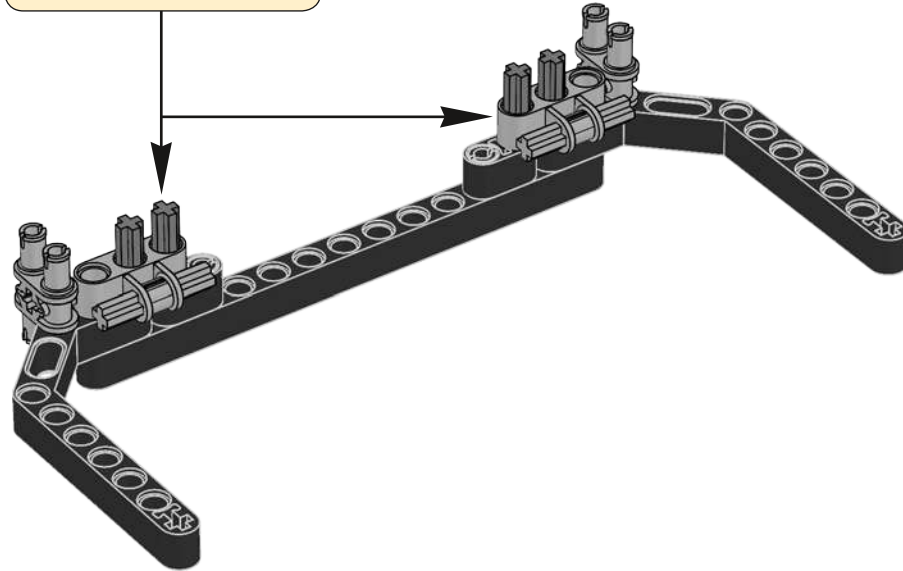
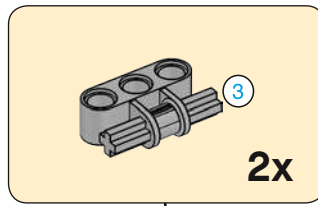


4

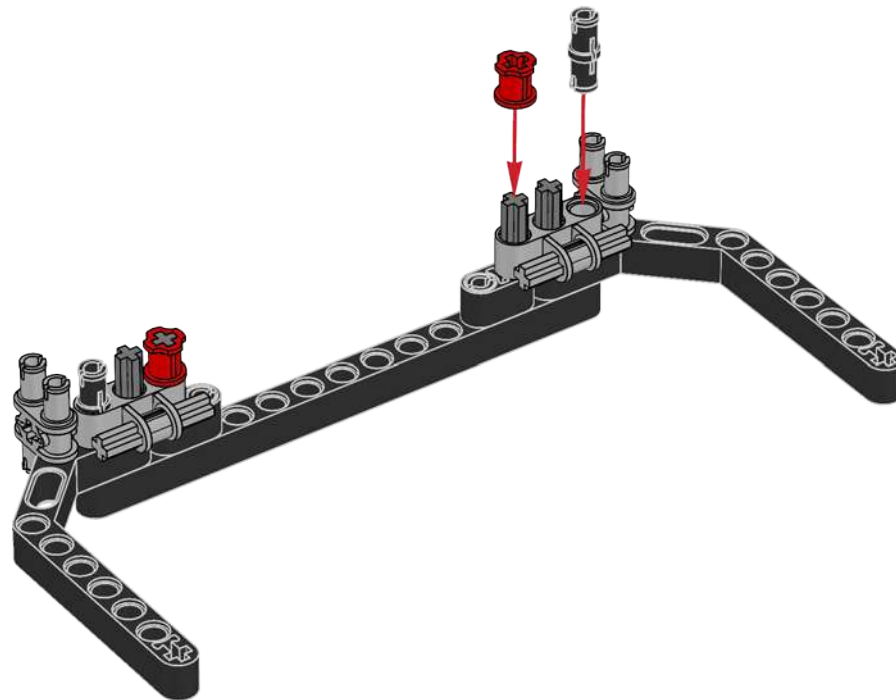


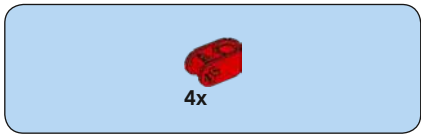


5

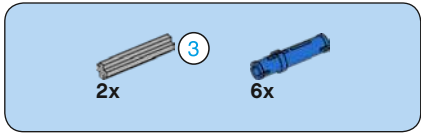
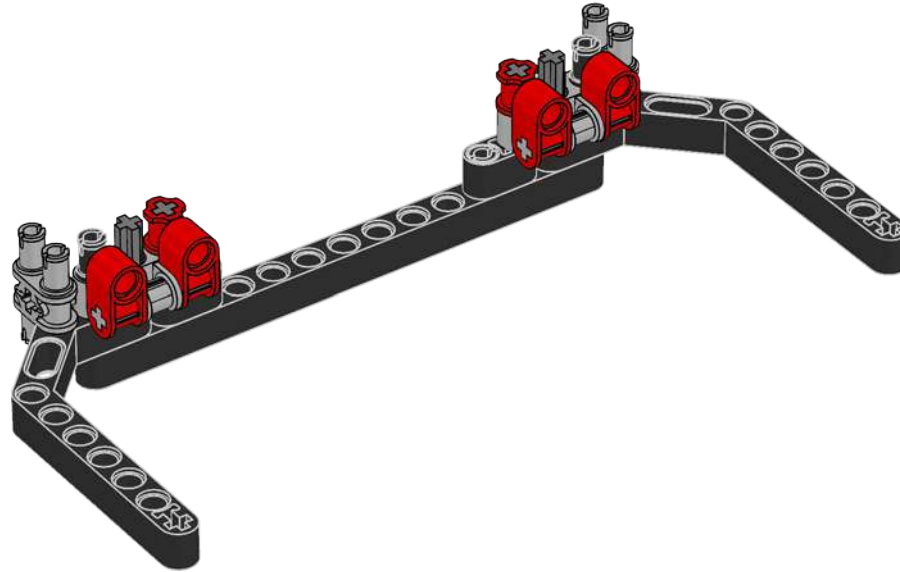


6

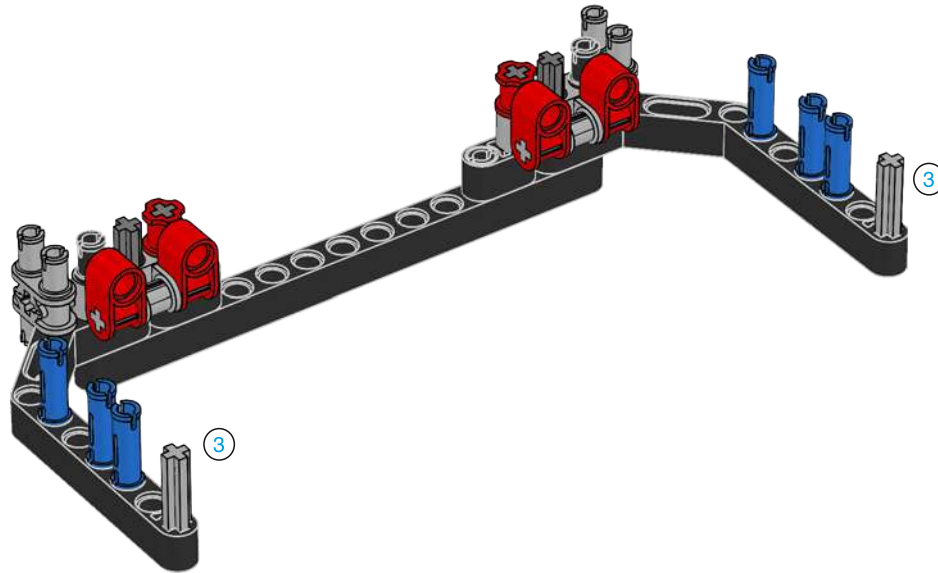


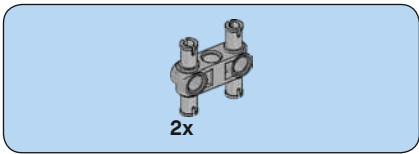


7

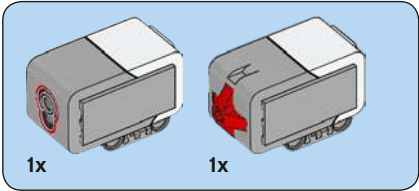
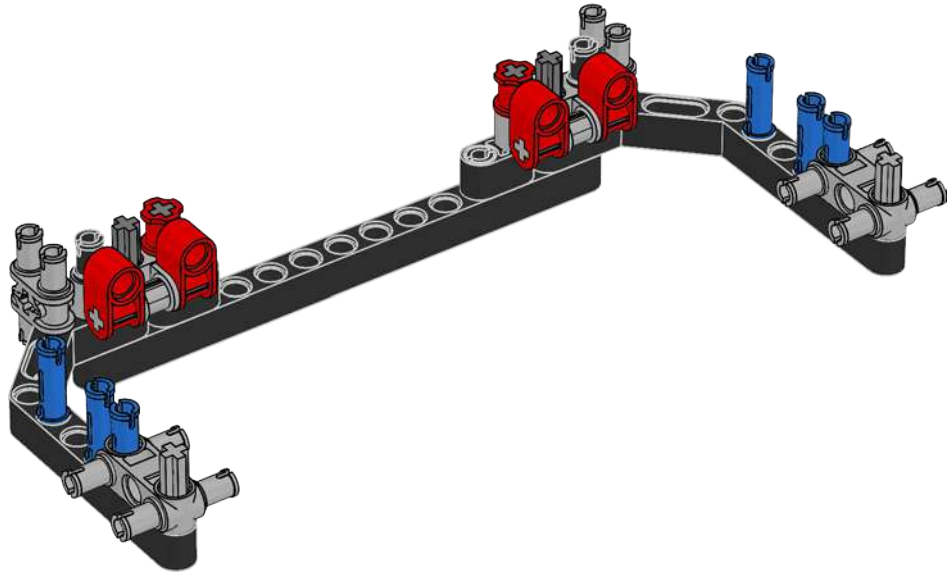


8

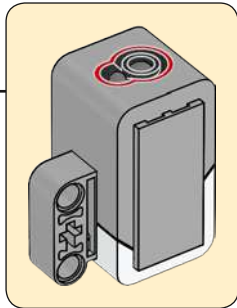
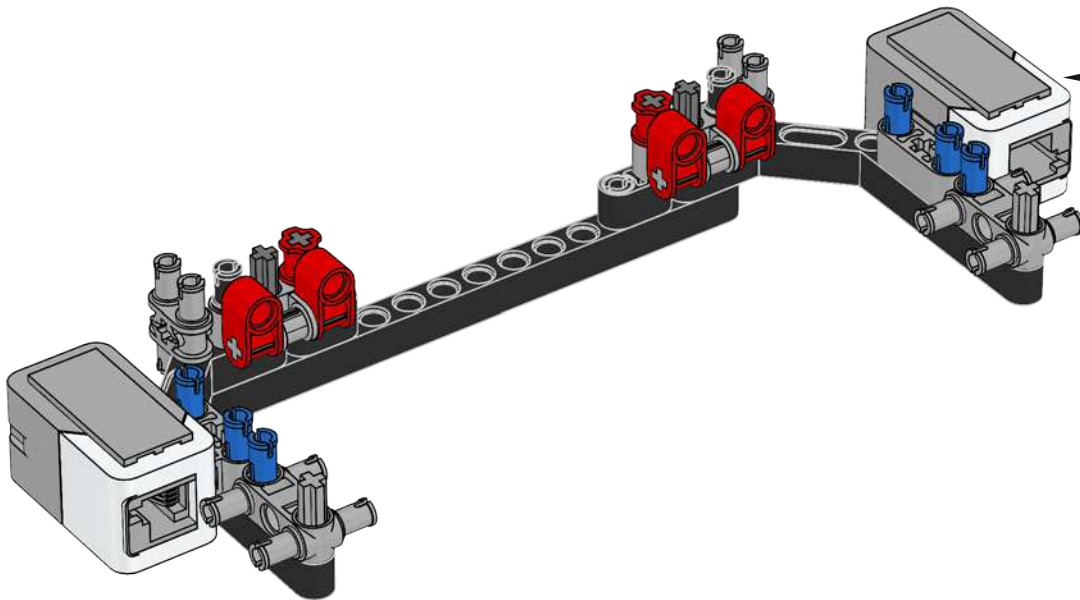
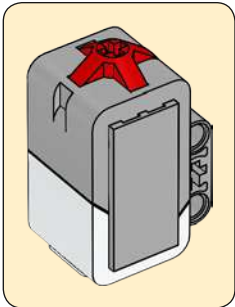


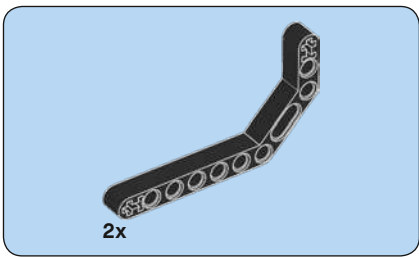


9

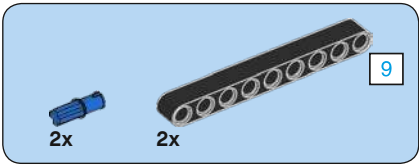
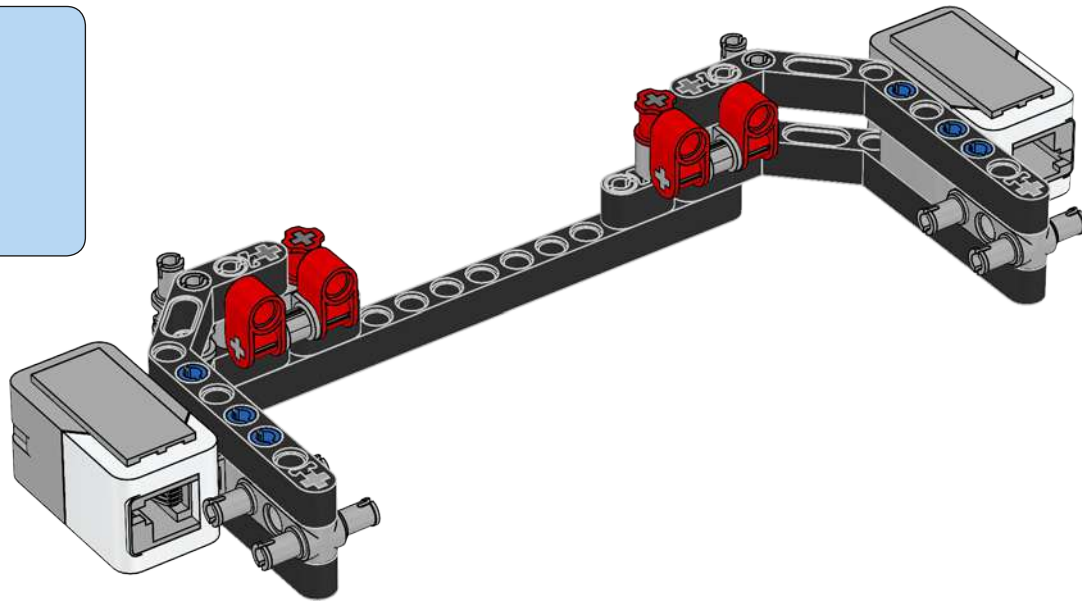


10

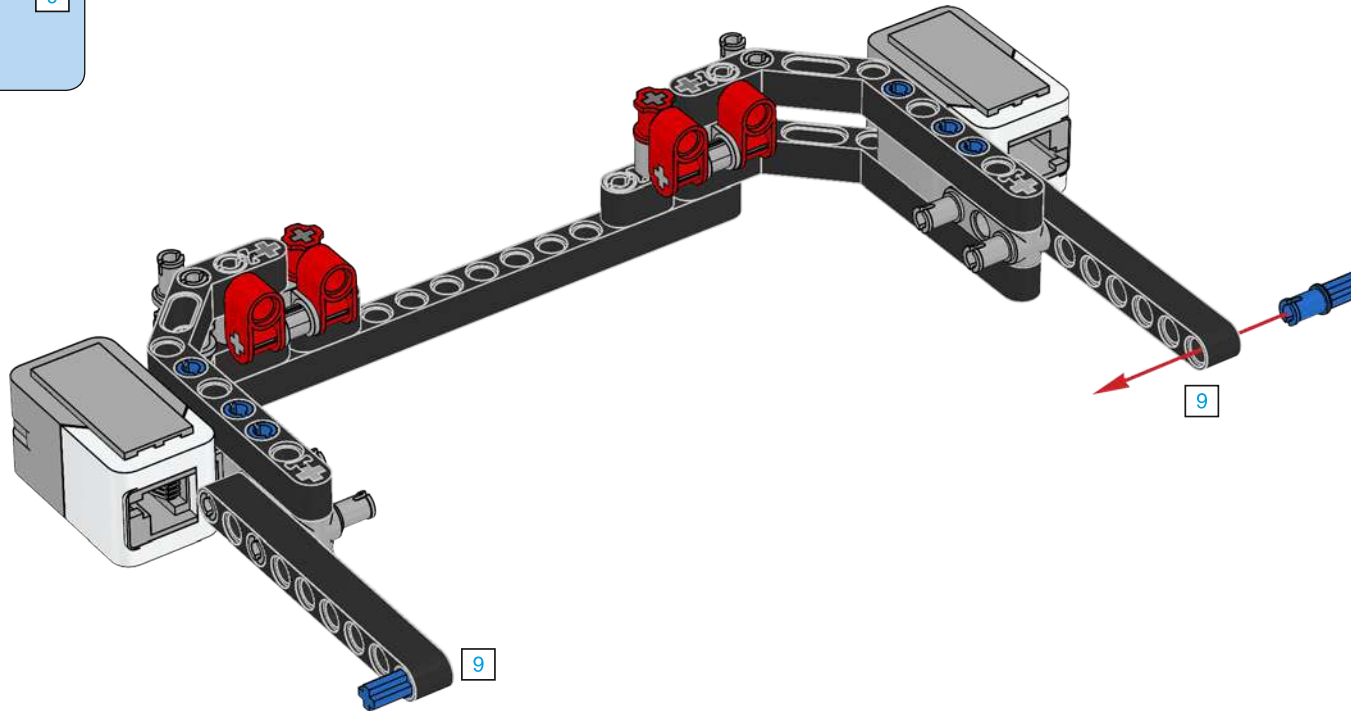


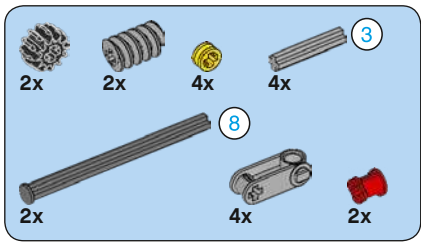


11

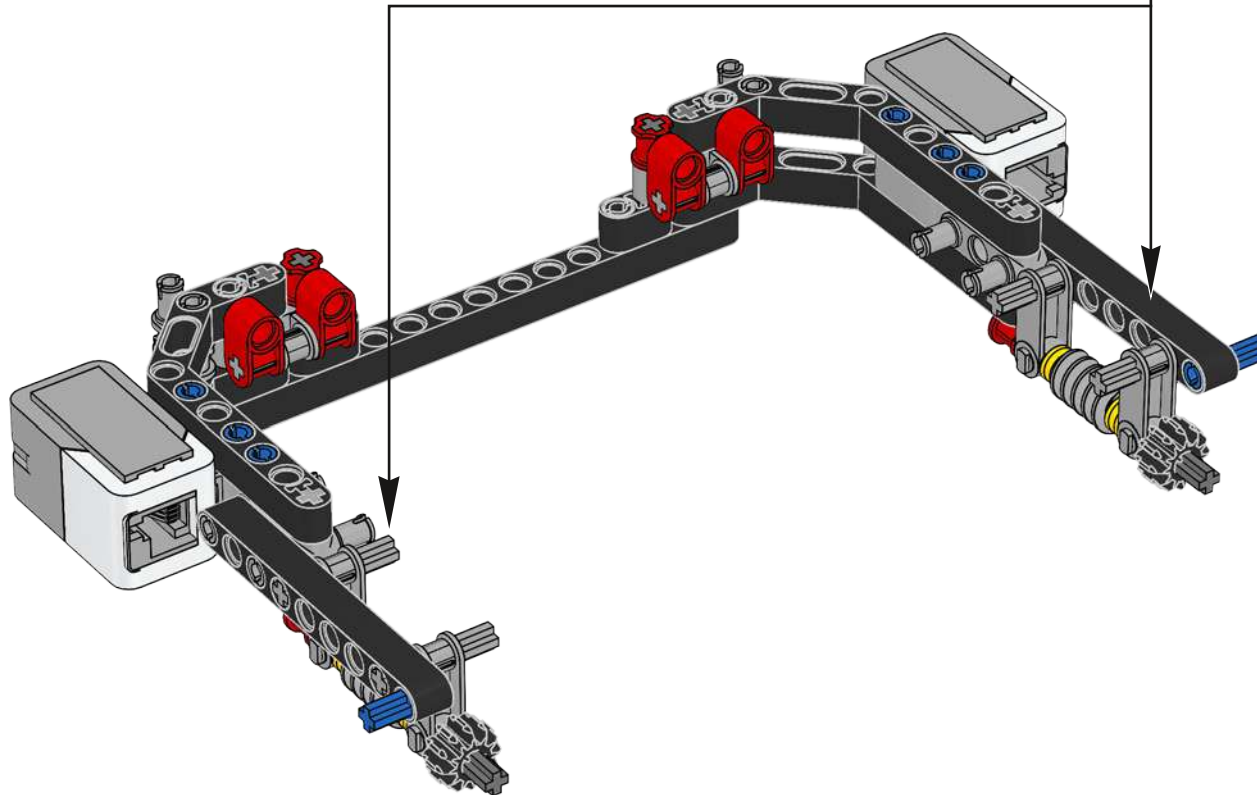


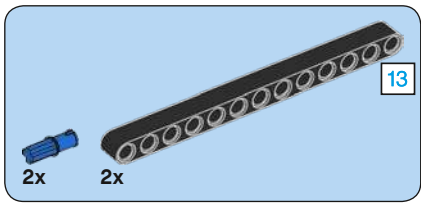
12



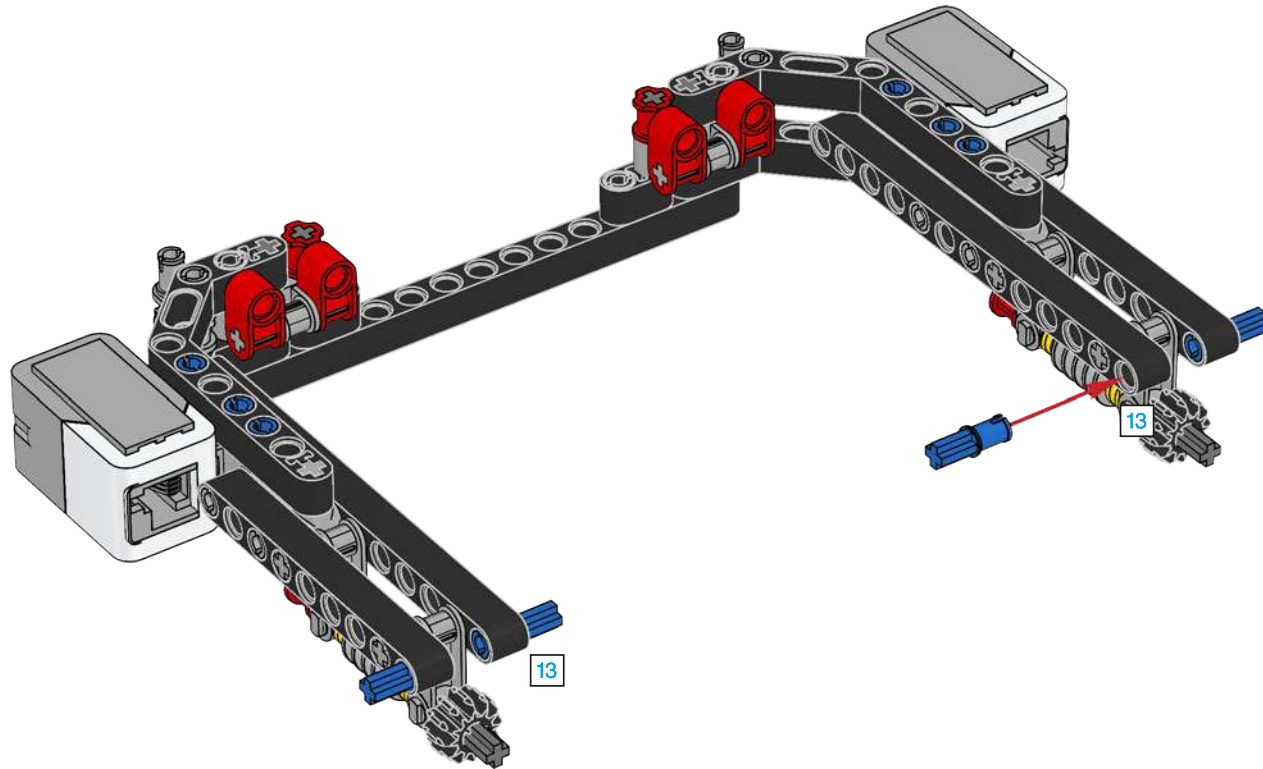


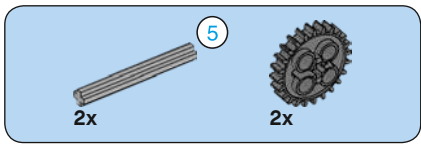
13



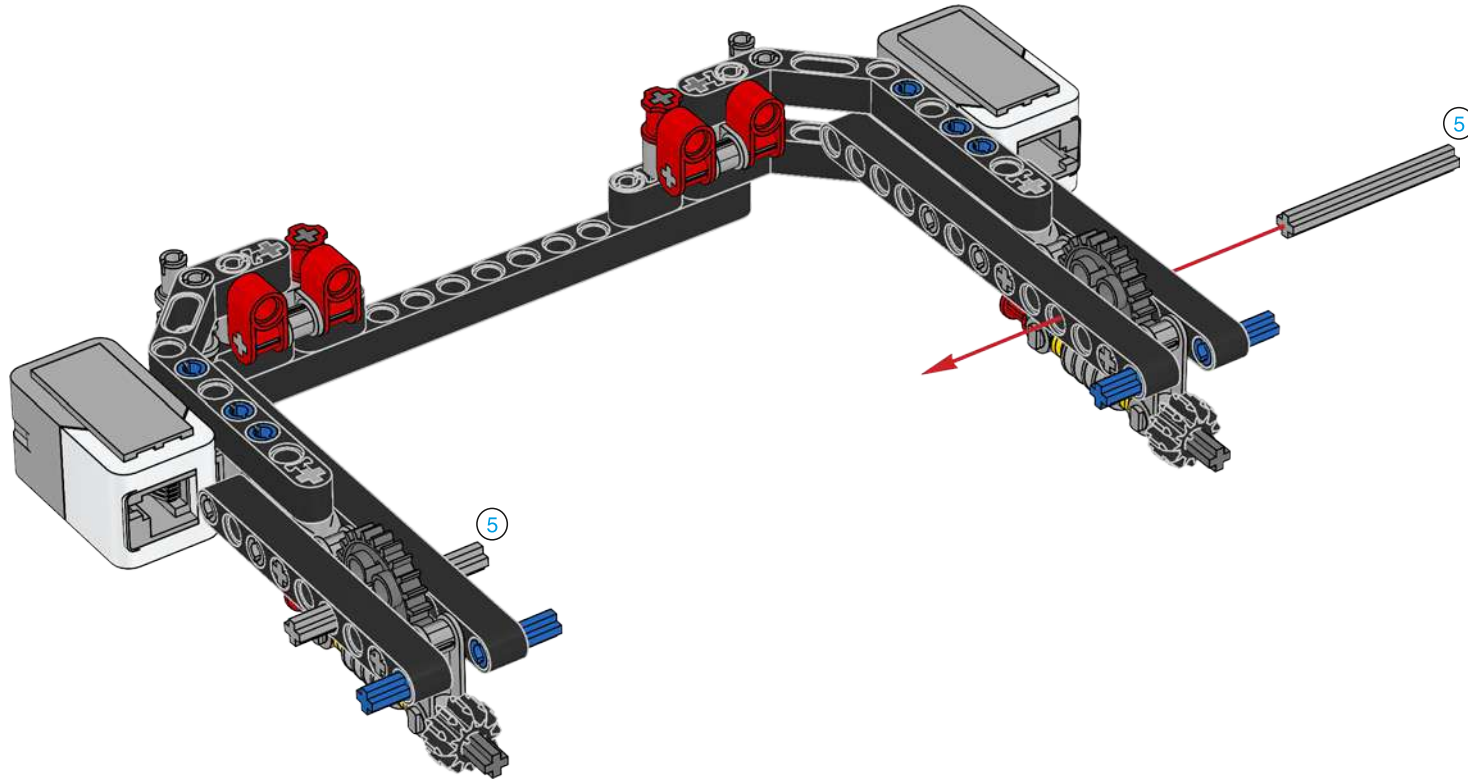


14

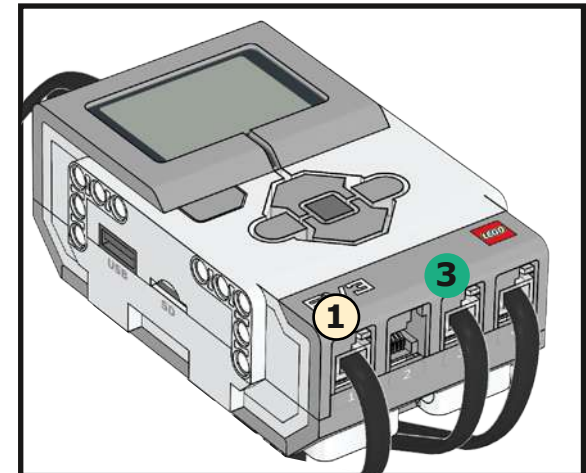
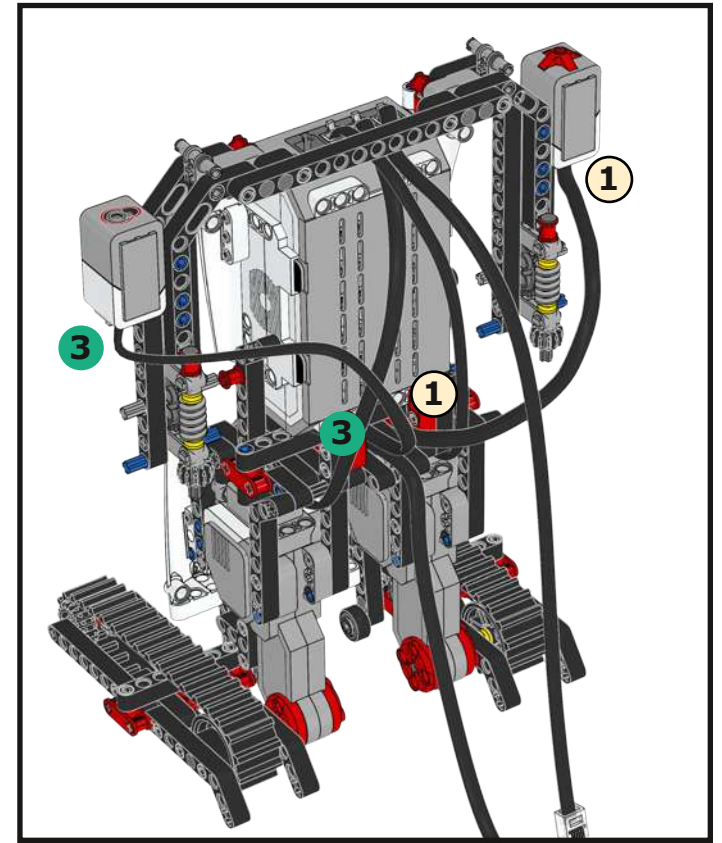
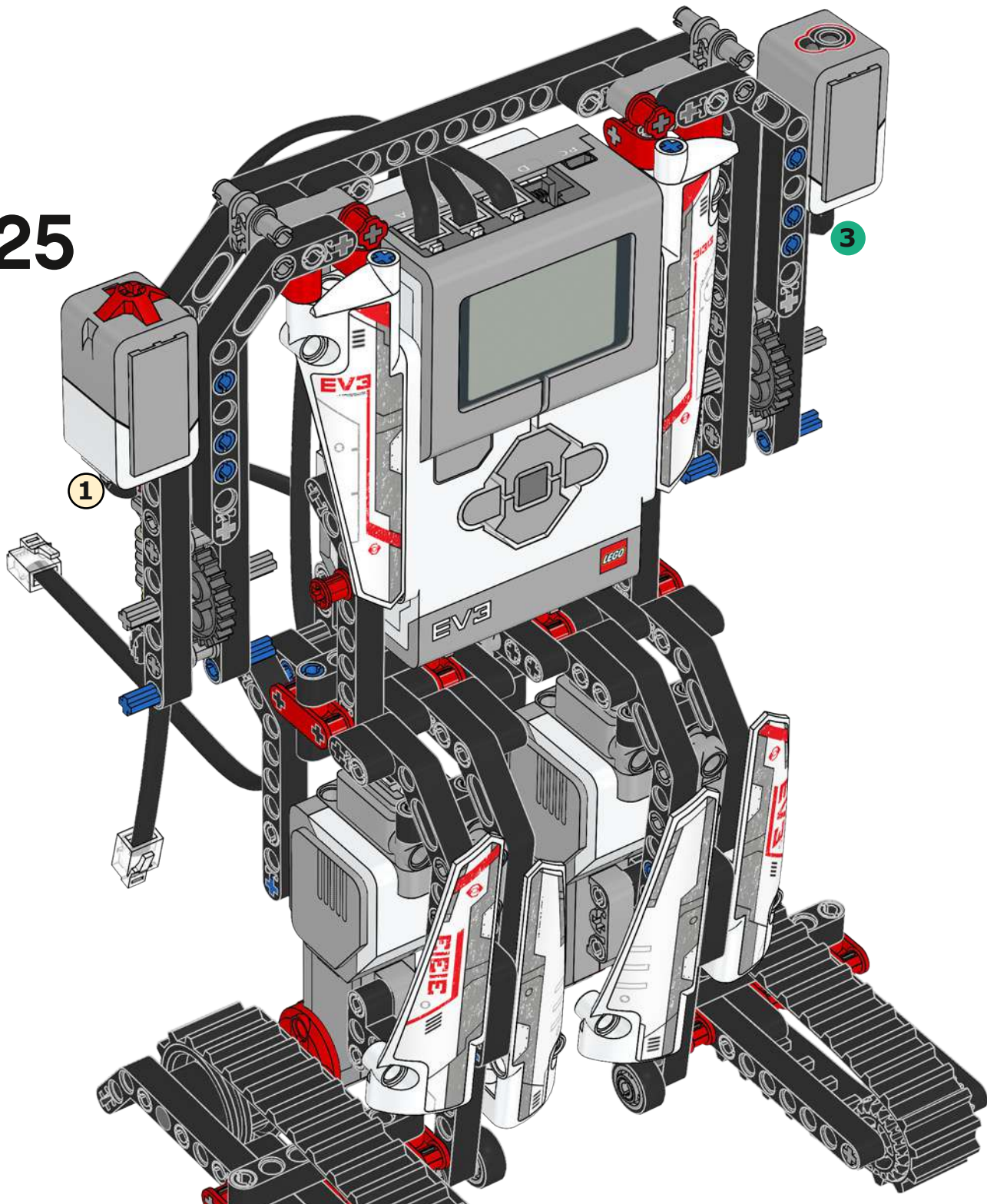


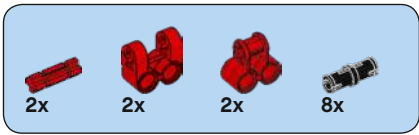


15

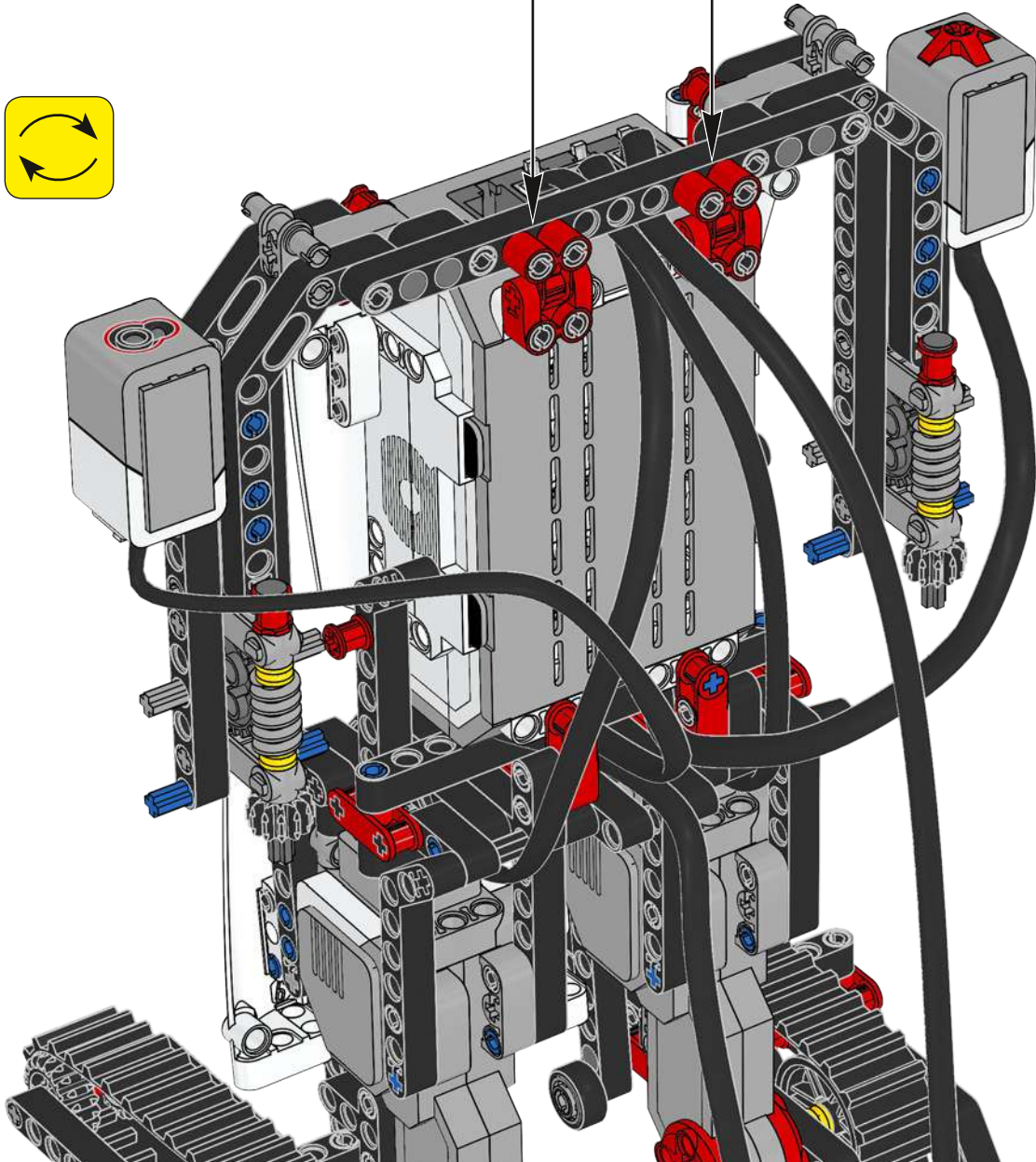
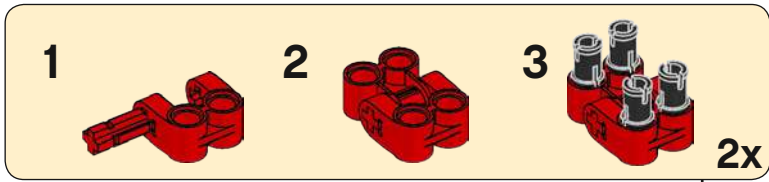


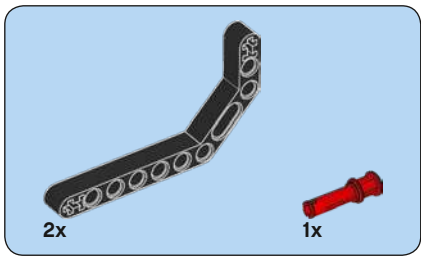
25



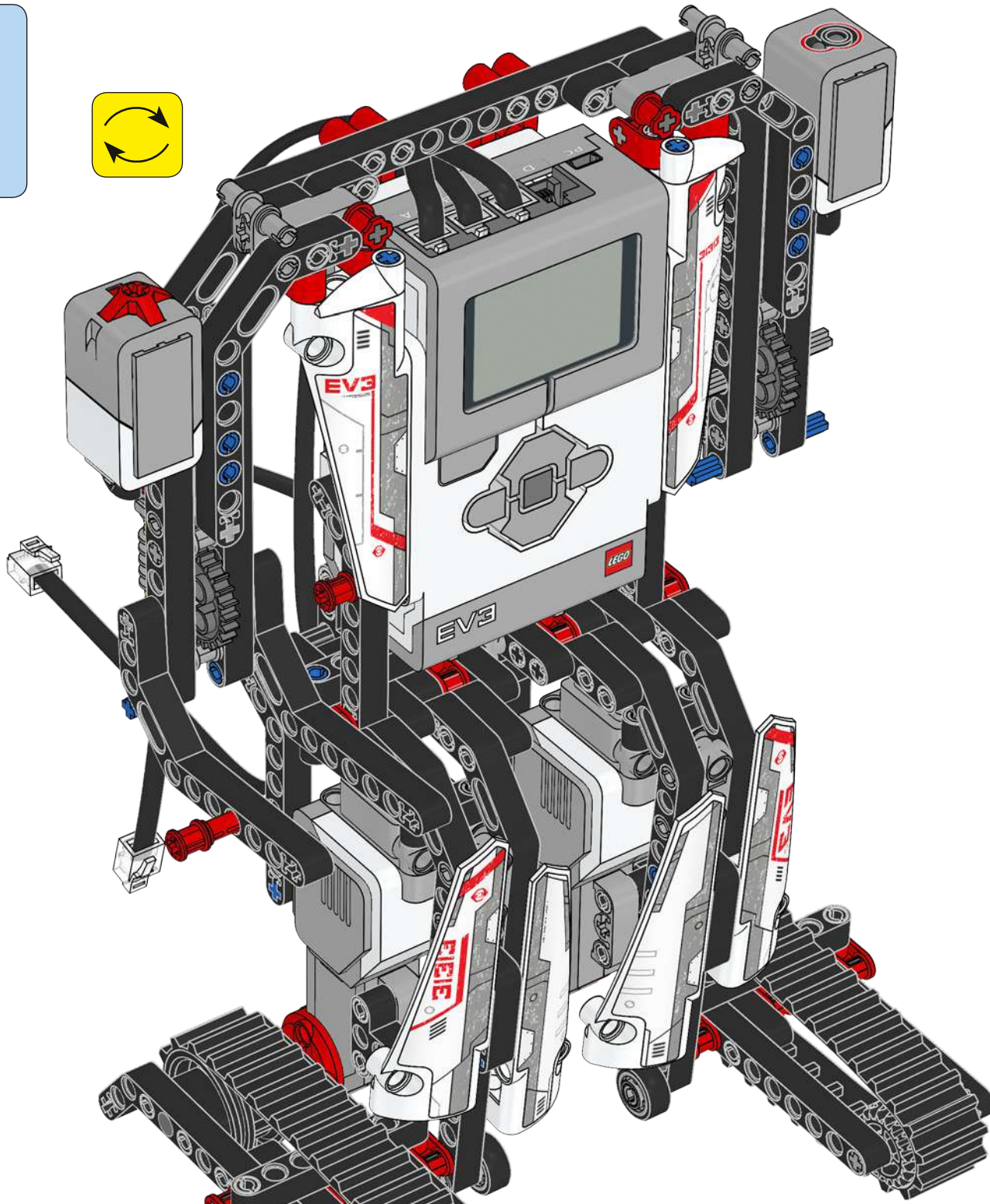


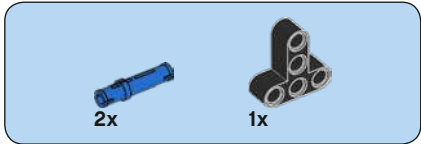
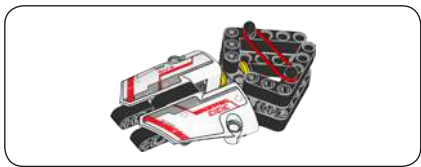
26



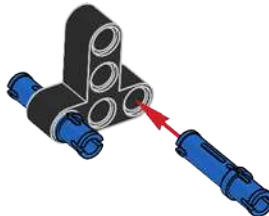


27



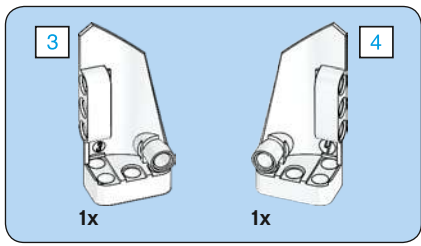


1

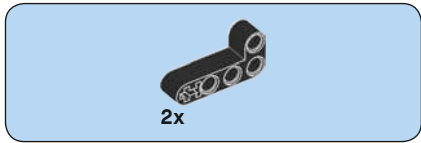
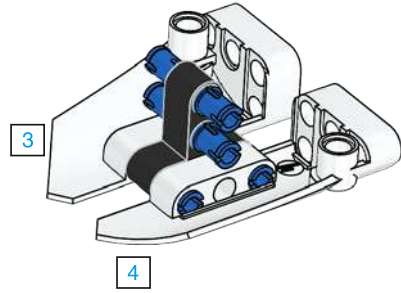


2

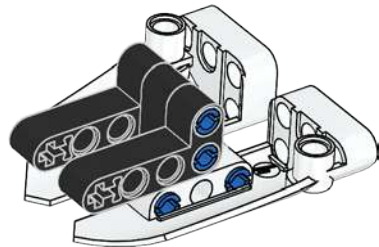


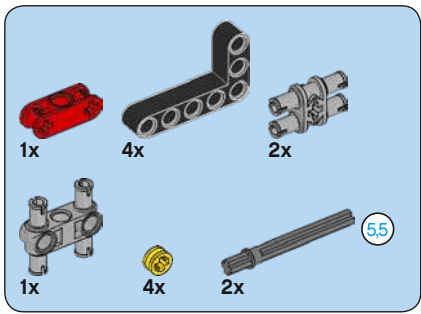


3

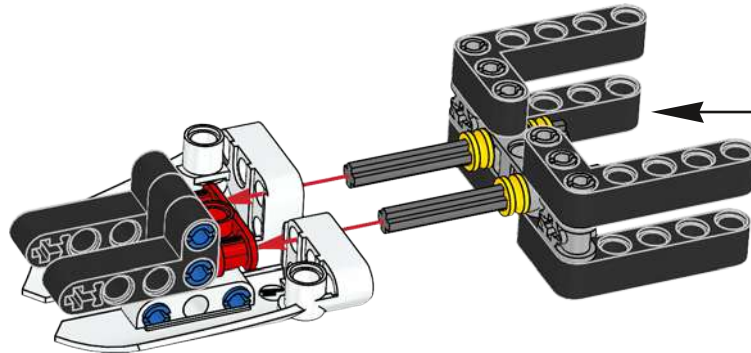
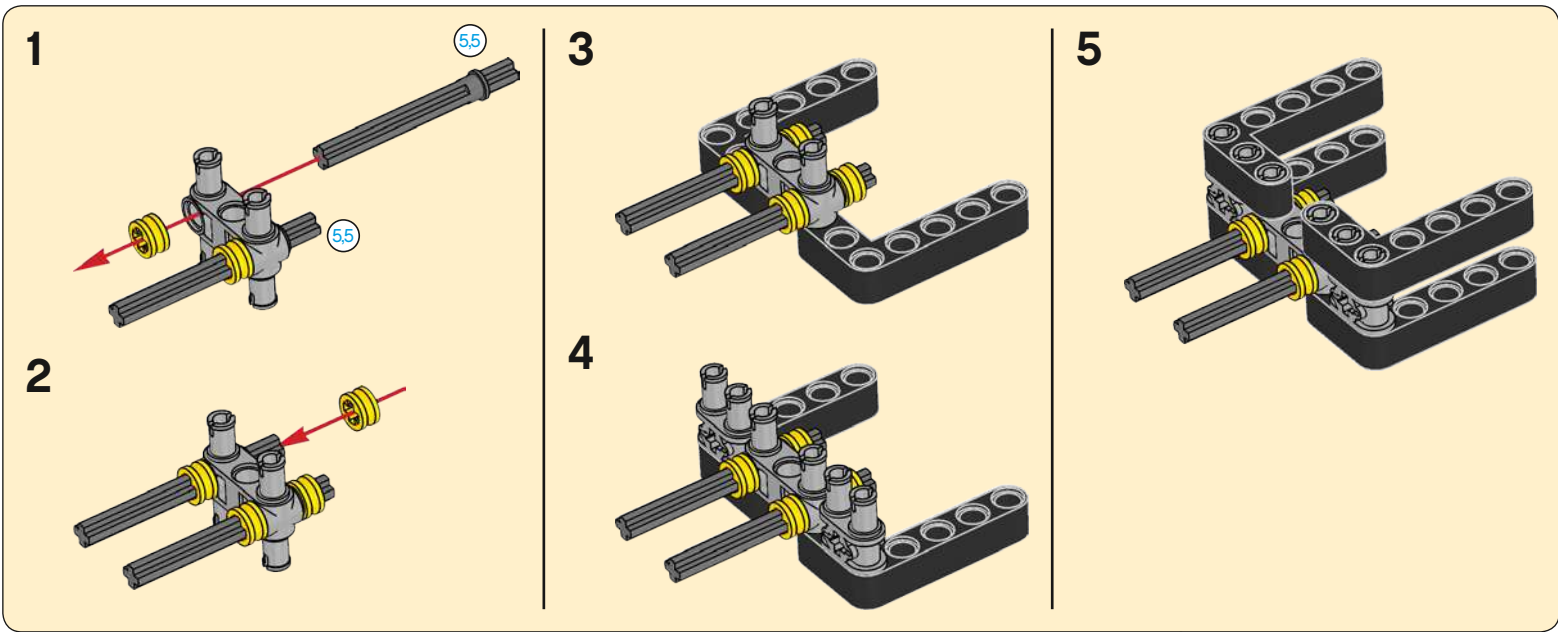


4





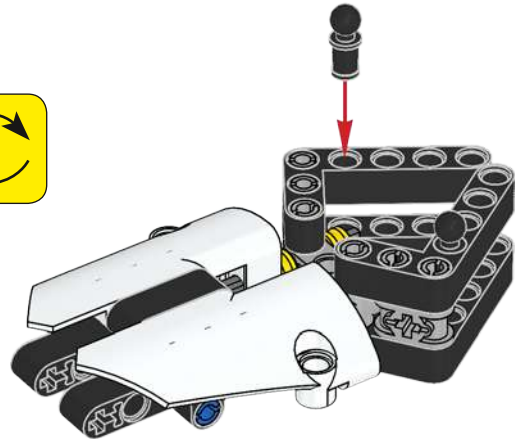
5





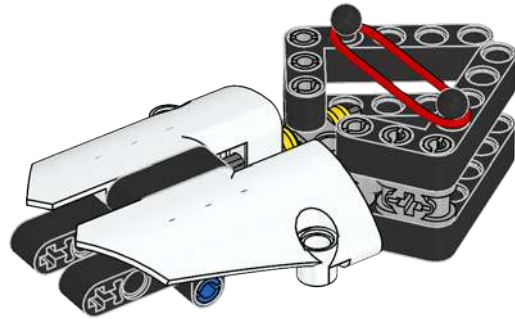
2x

6

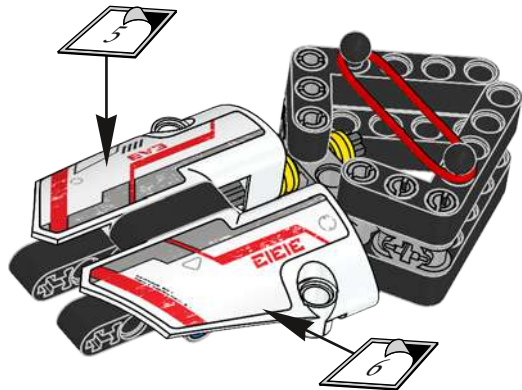


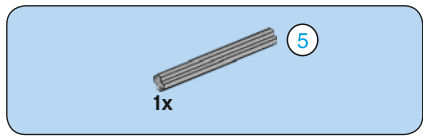
1x

7

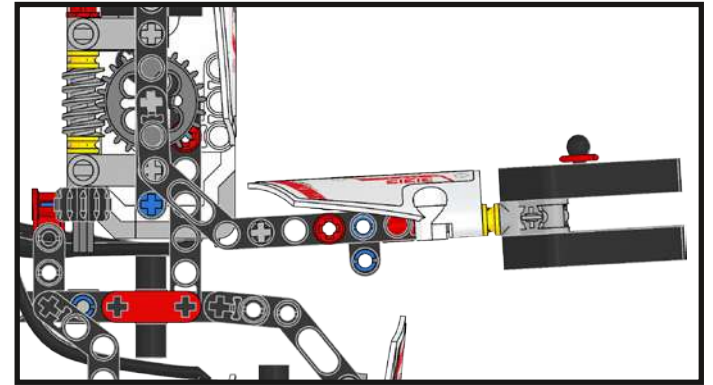
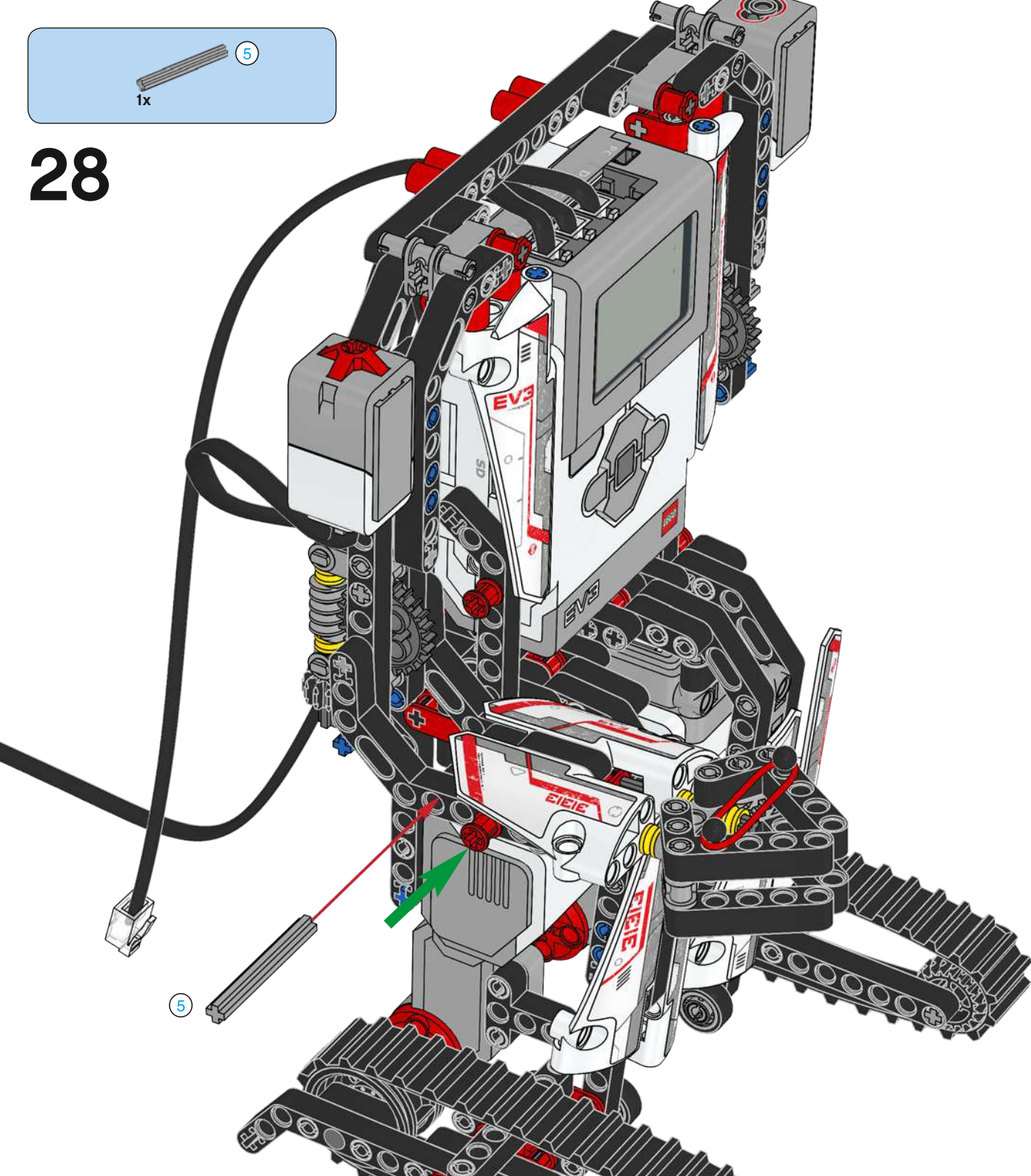


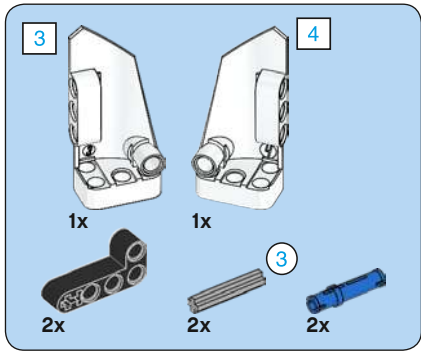
8



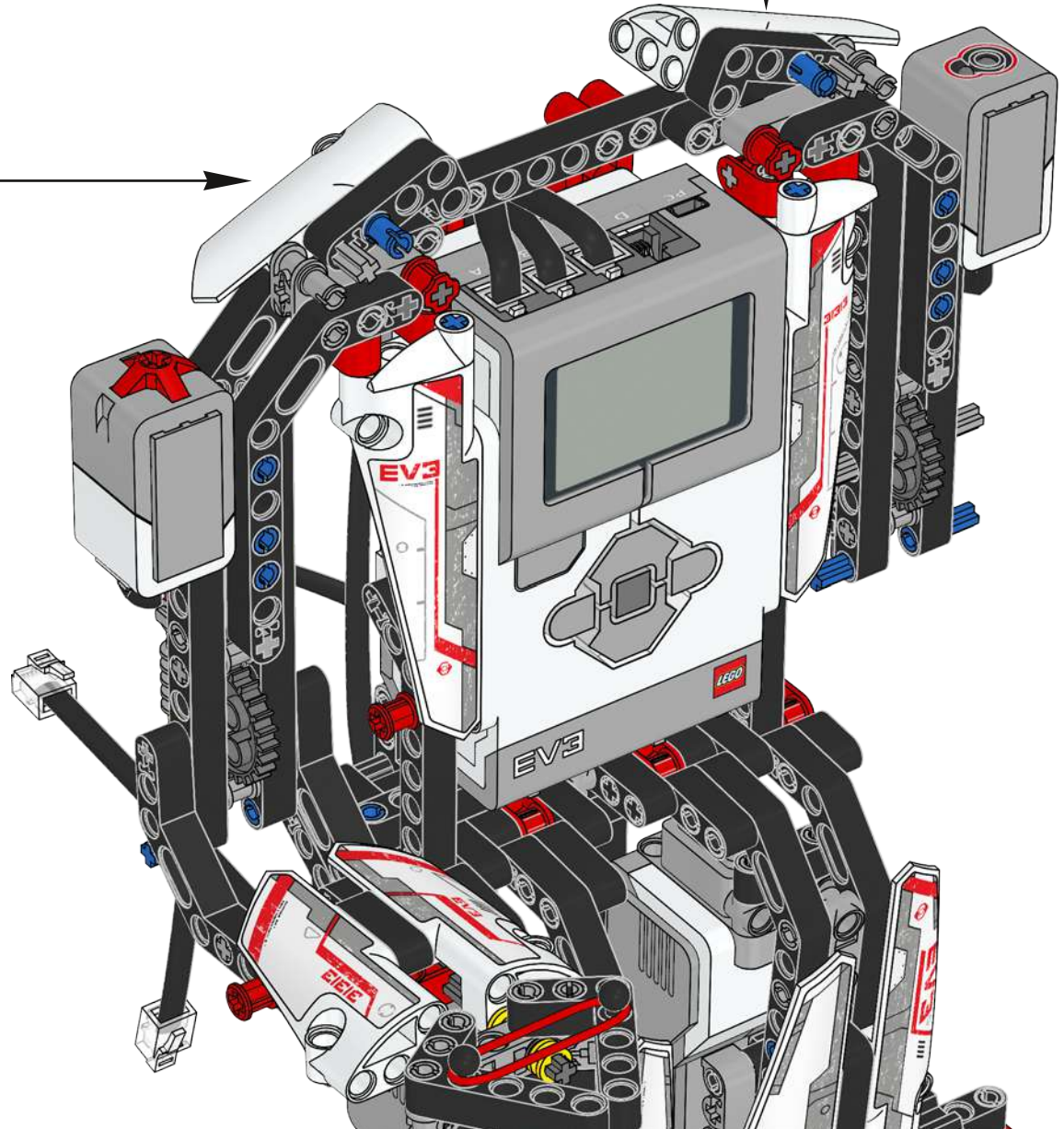
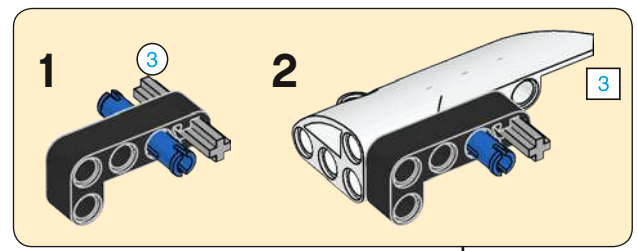
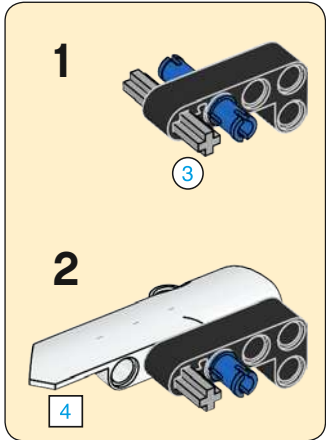


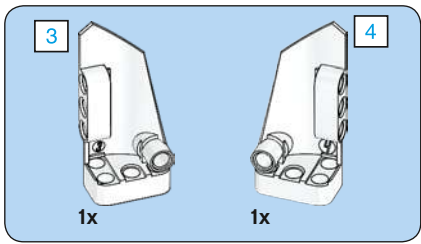
28



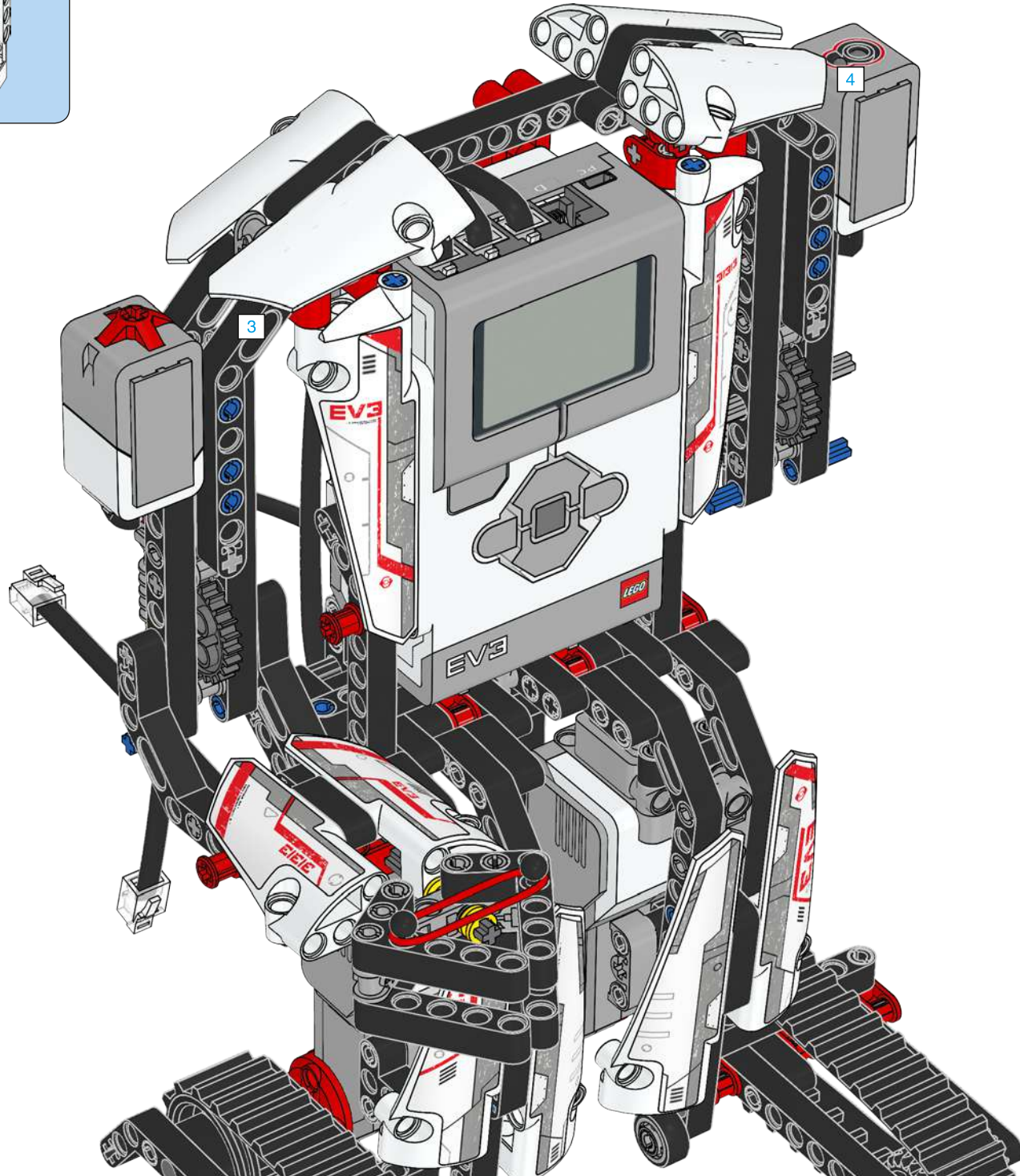


29

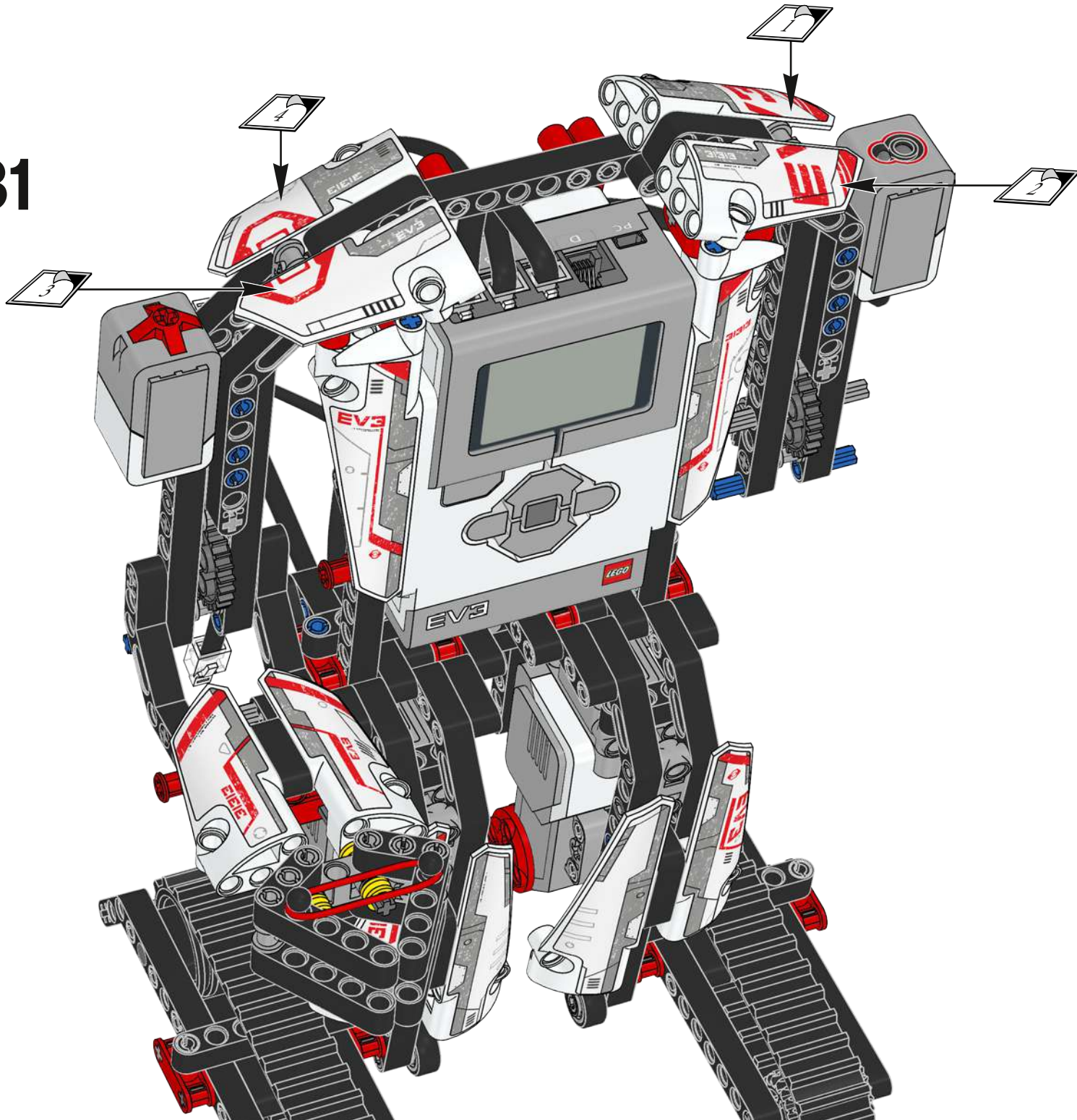


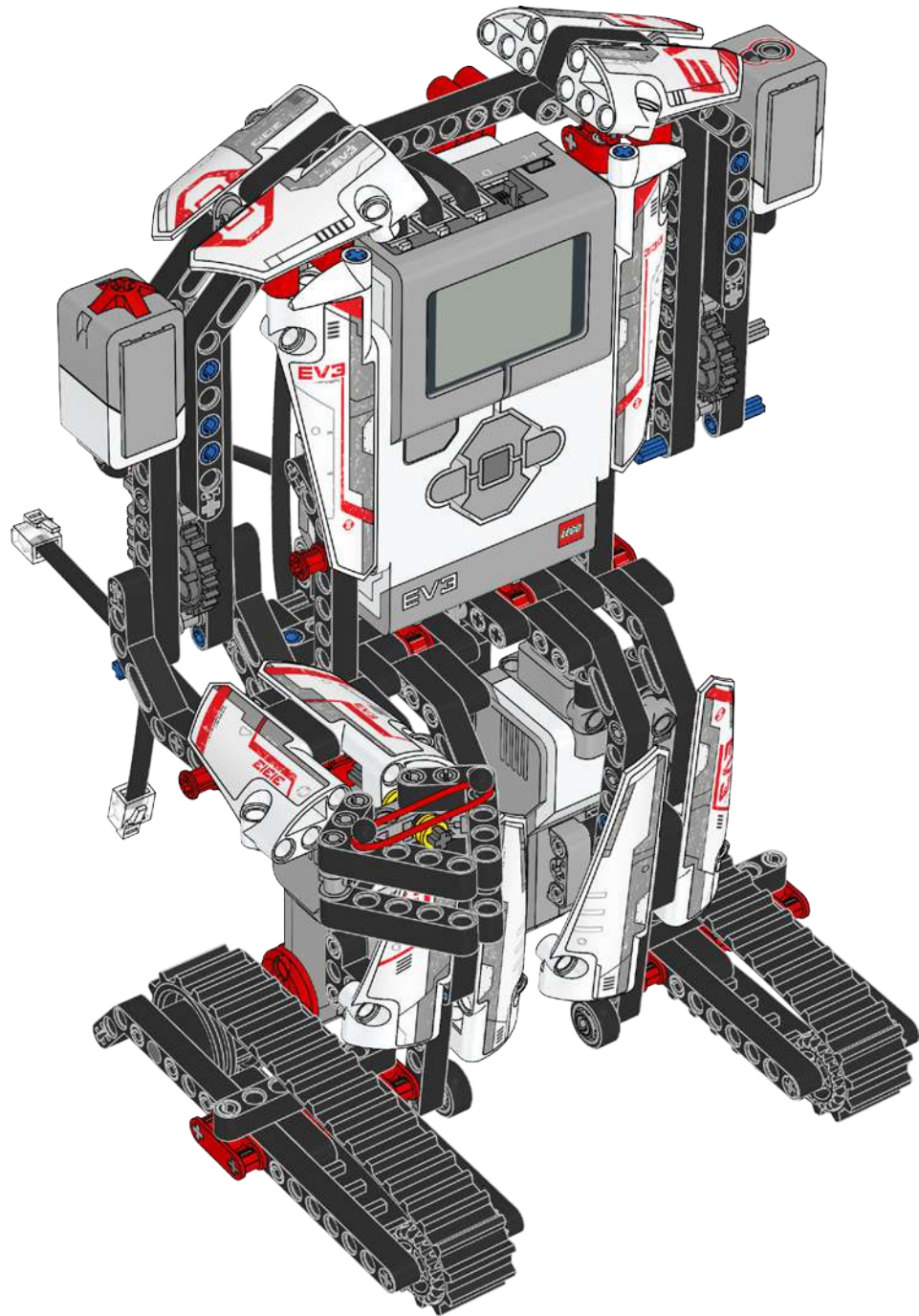


30



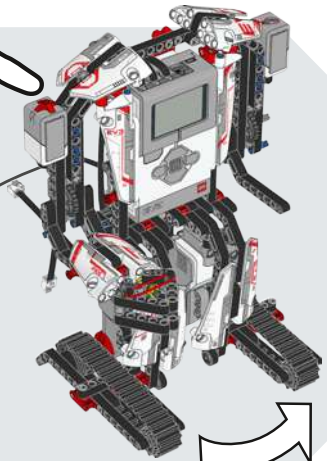
31







LEGO® MINDSTORMS®
EV3 Programmer
The LEGO Group



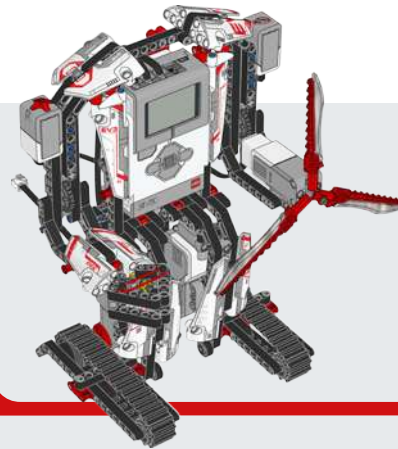
MISSION 02

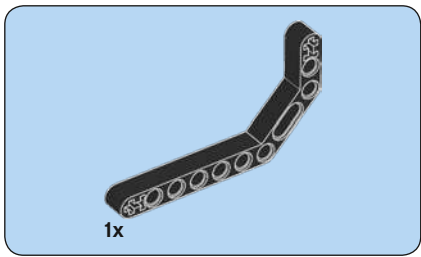


LEGO.com/mindstorms/software

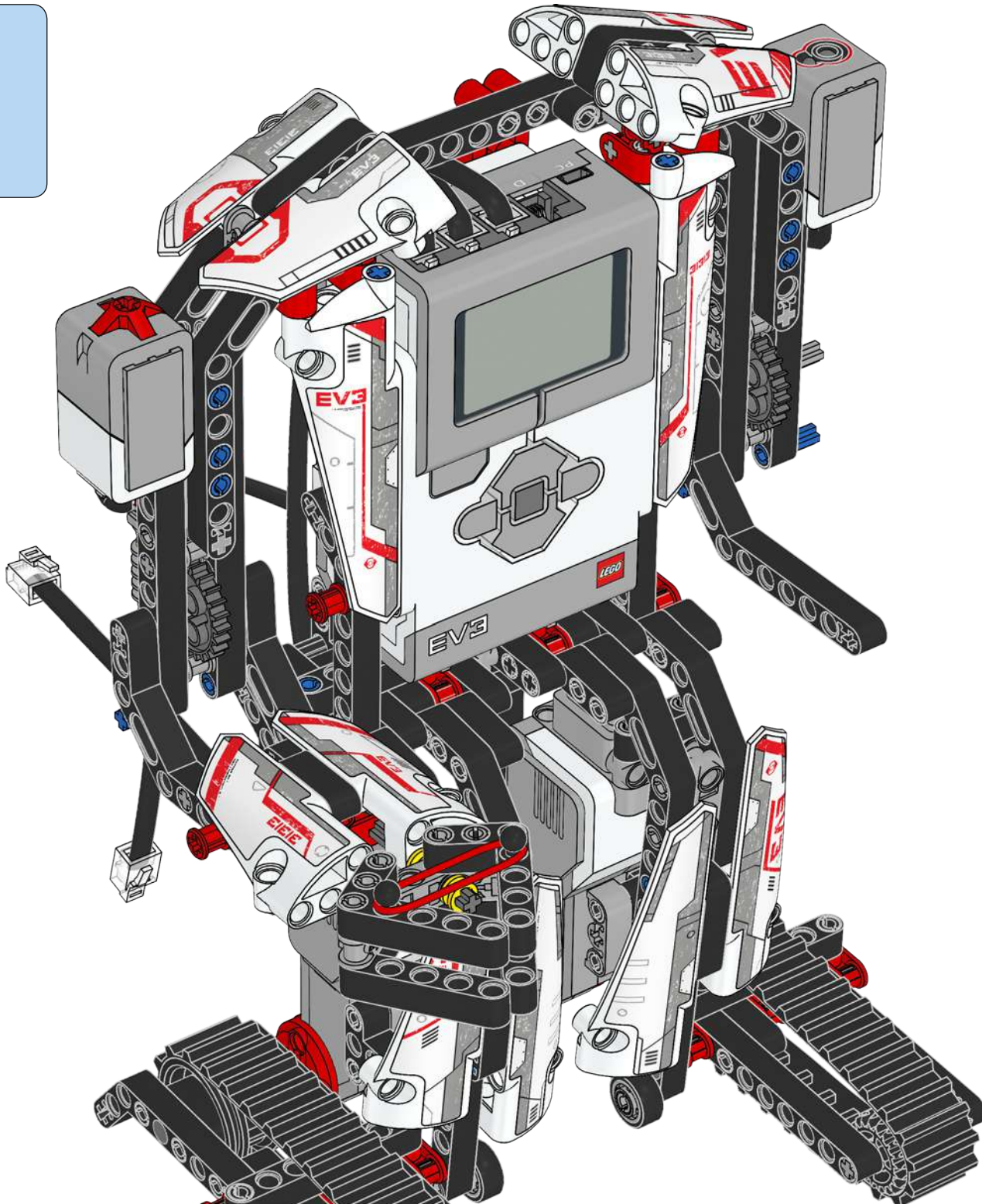


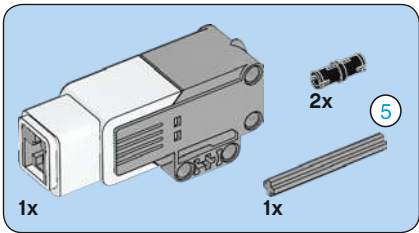
MISSION 03



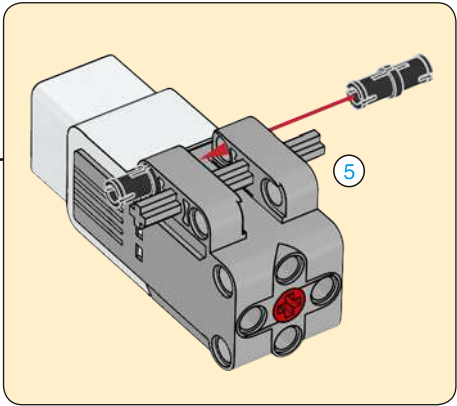
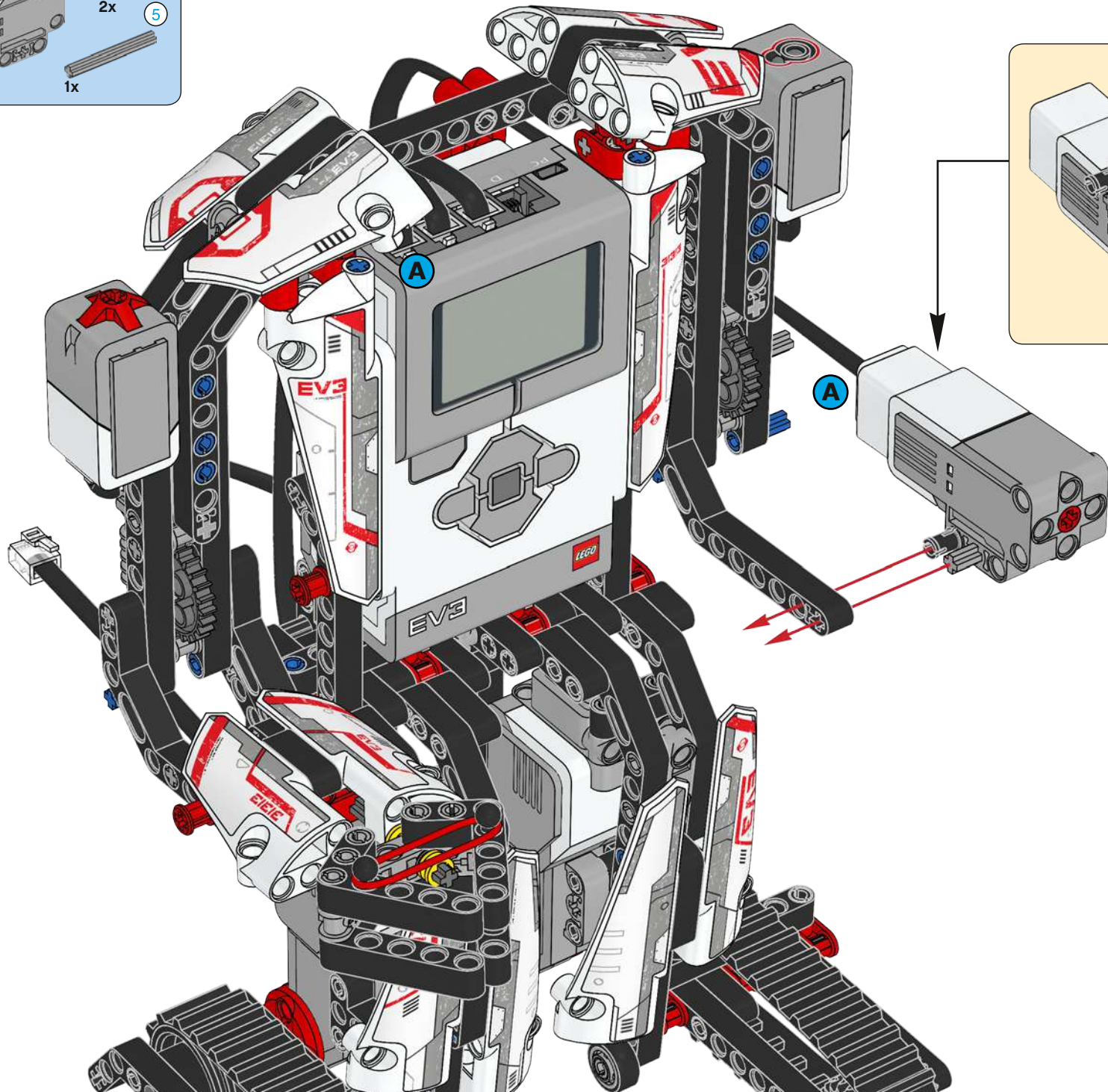


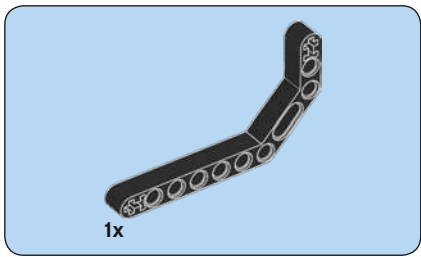
32



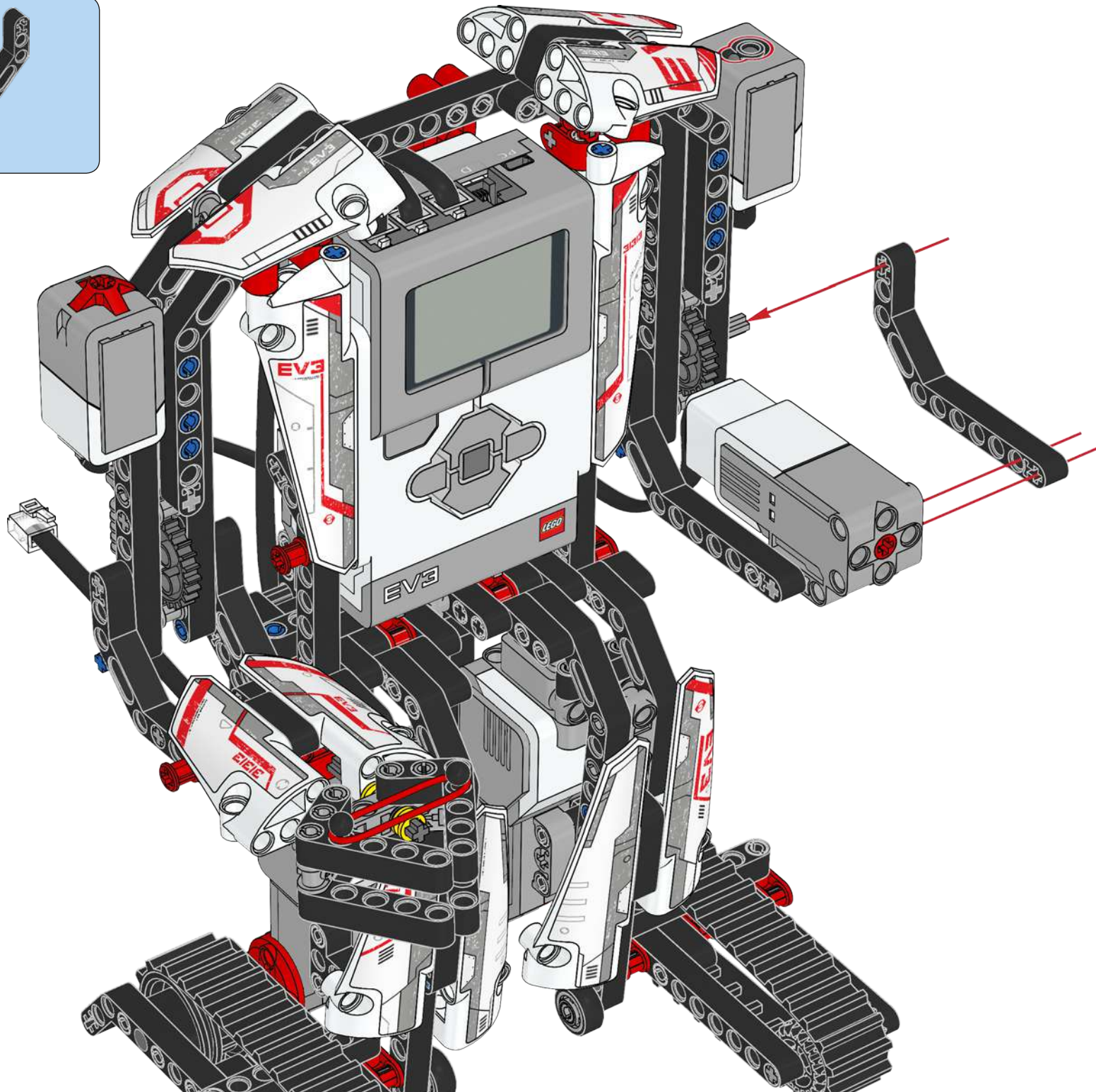


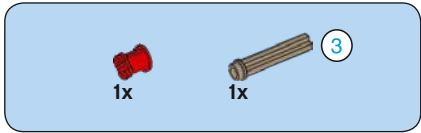
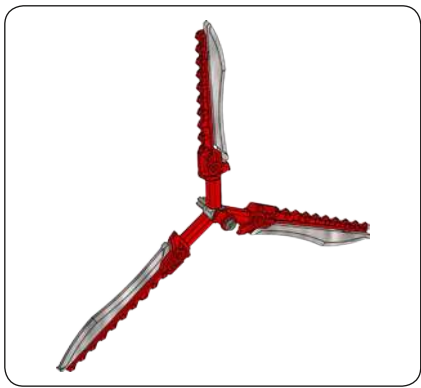
33



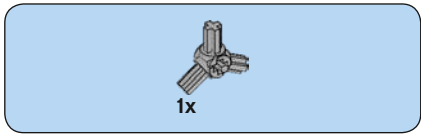
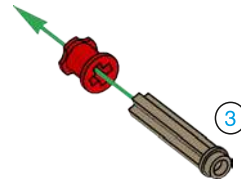


34



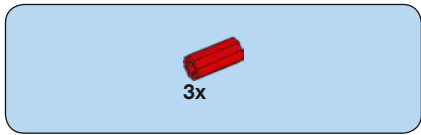


1

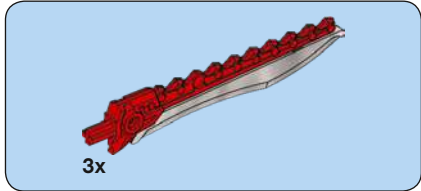
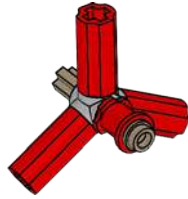


2

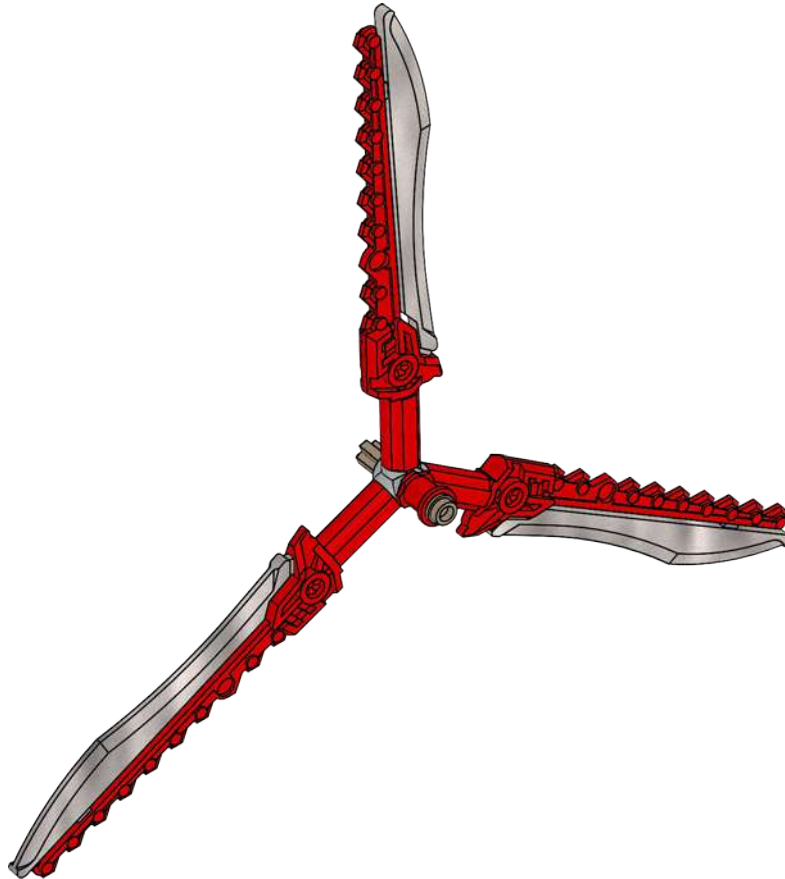




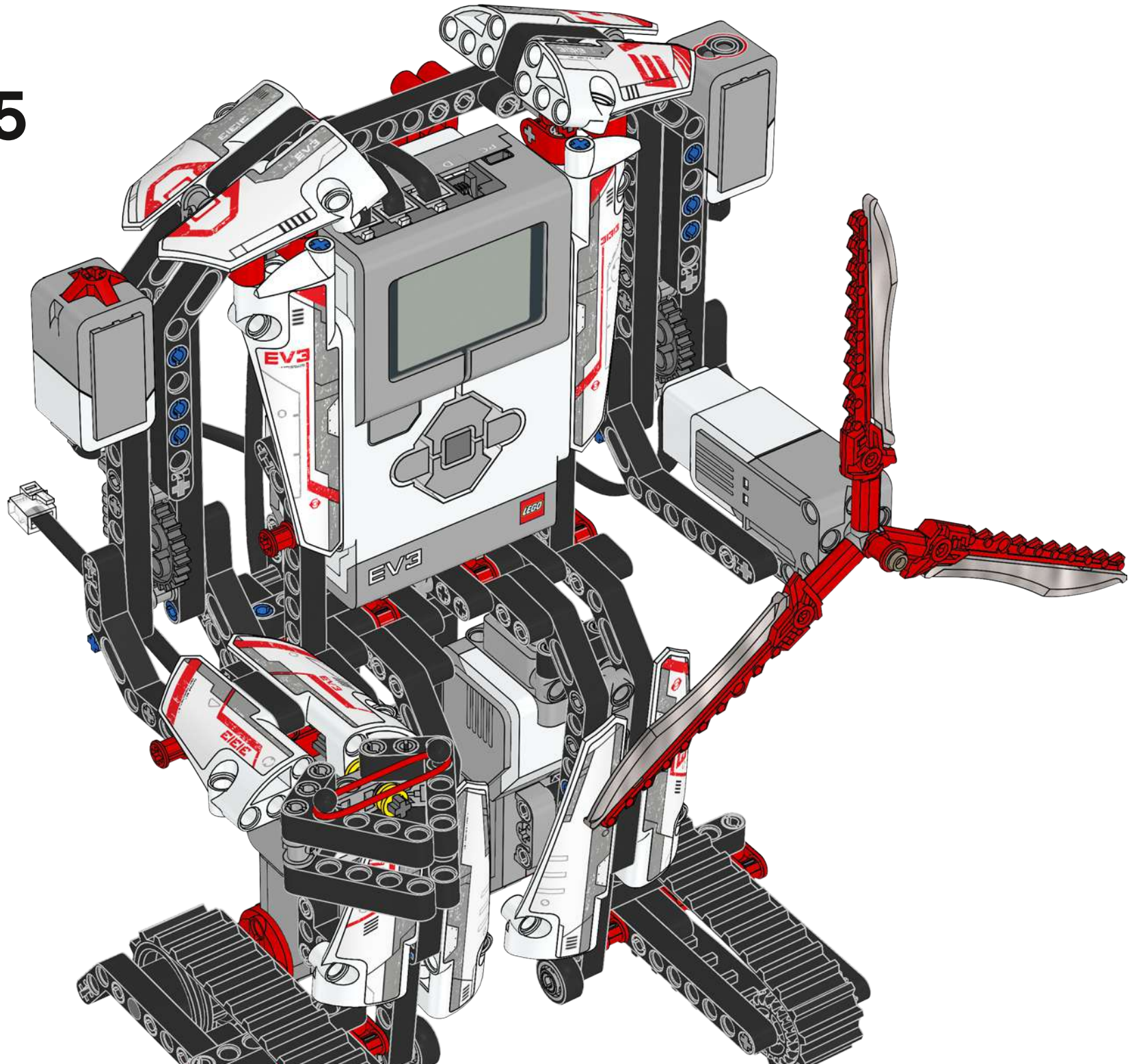
3

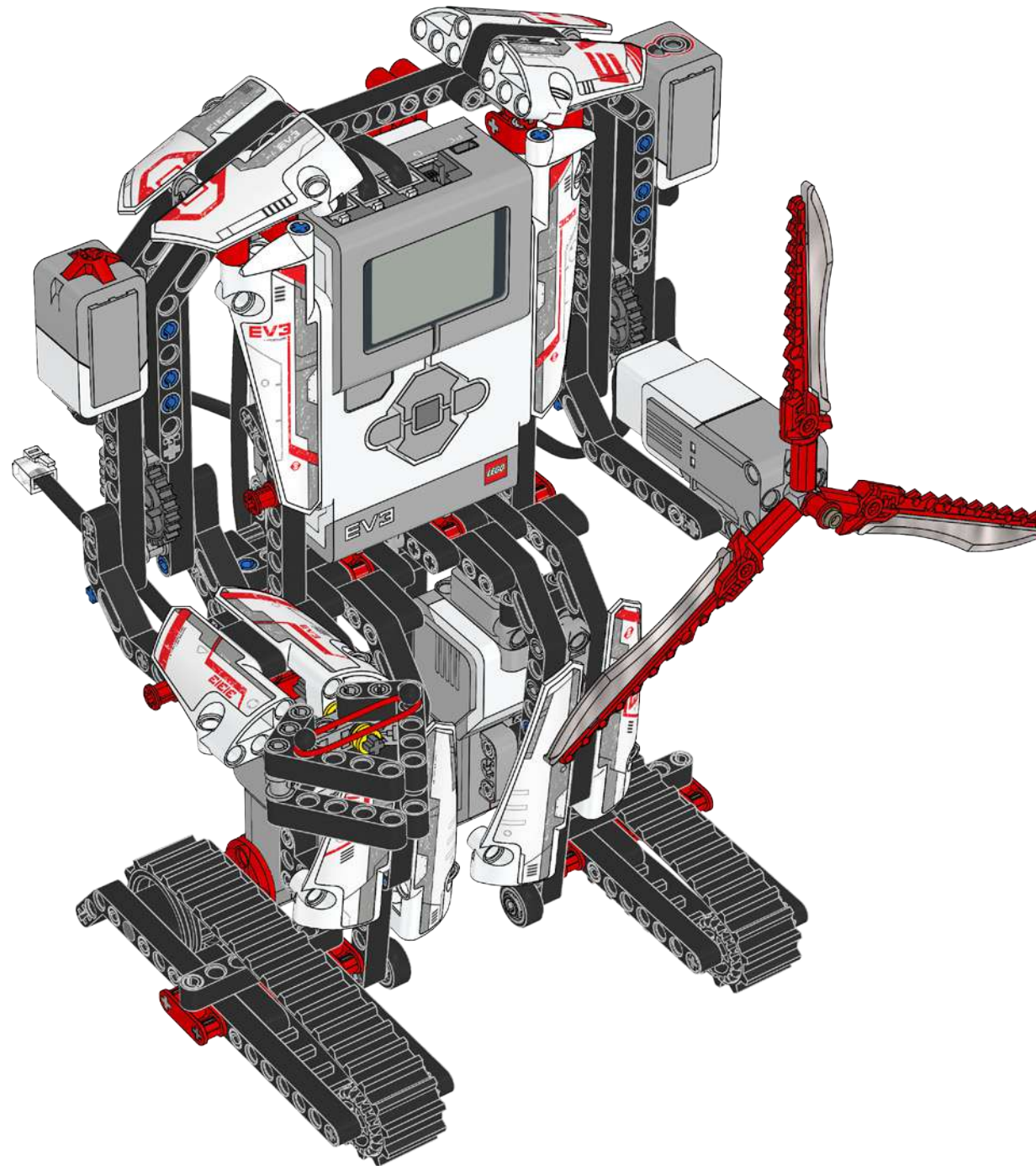


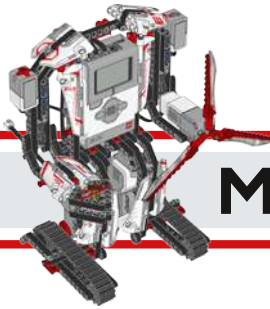
4



35







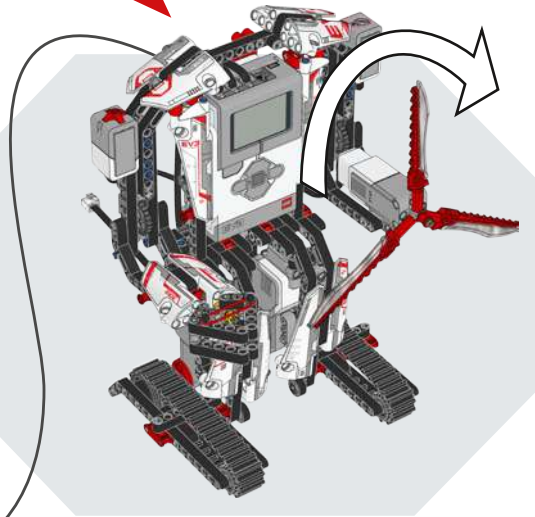
MISSION 03

Download on the
App Store

GET IT ON
Google play



LEGO® MINDSTORMS®
EV3 Programmer
The LEGO Group

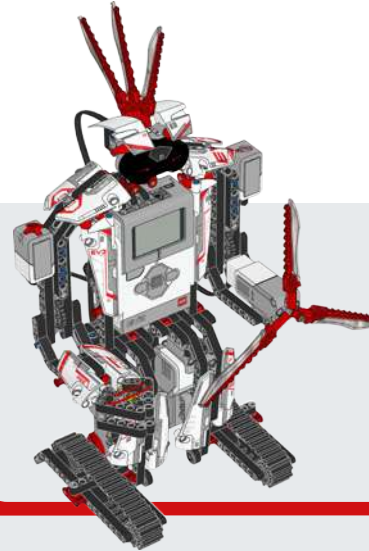


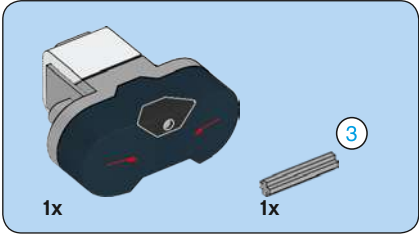
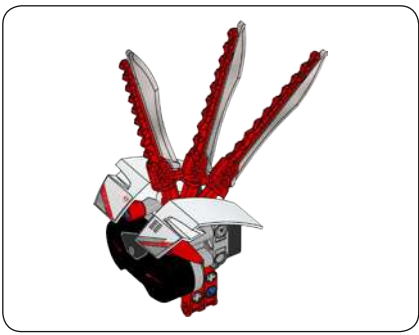
 LEGO.com/mindstorms/software

MISSION 04



94-104

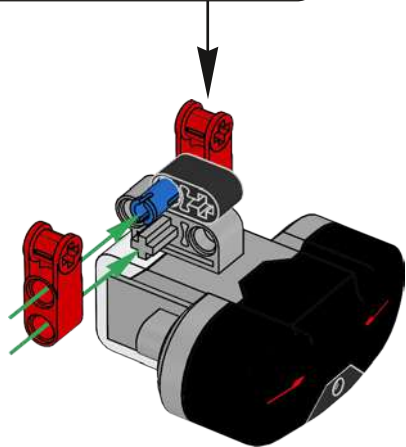
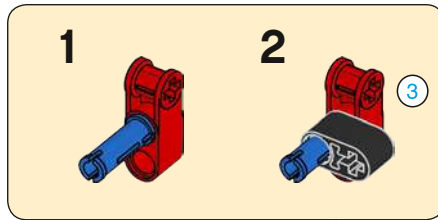
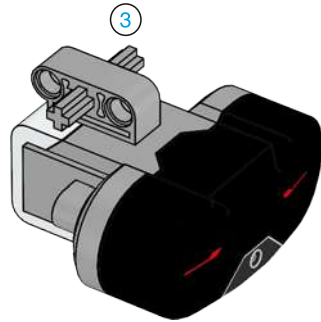




1

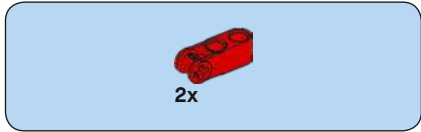
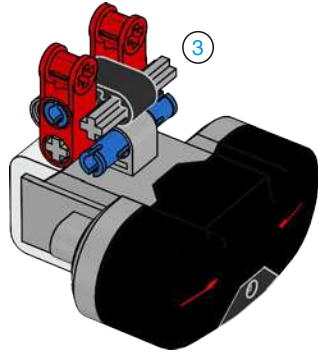


2

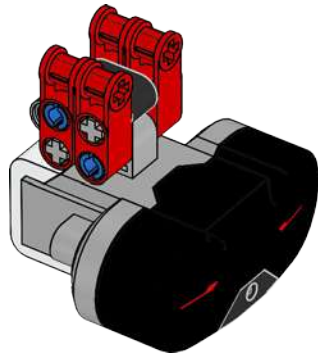


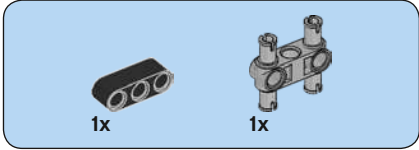
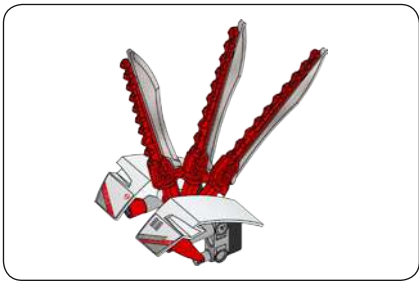


3

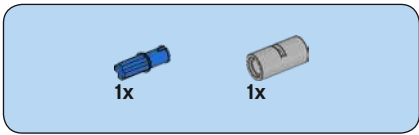
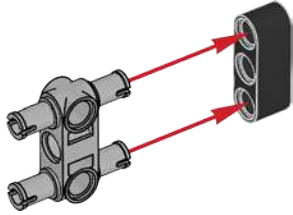


4

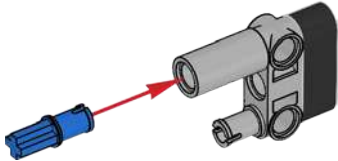


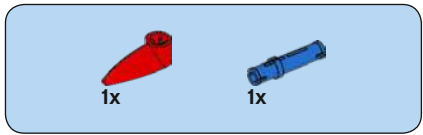


1

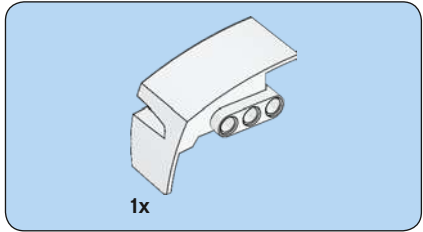
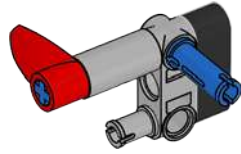


2

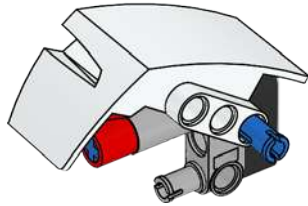




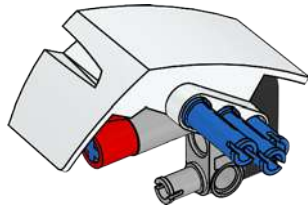
3

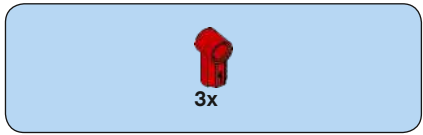


4

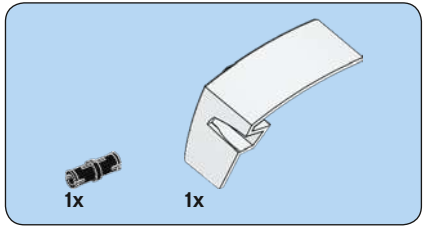
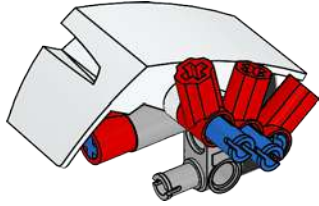


5

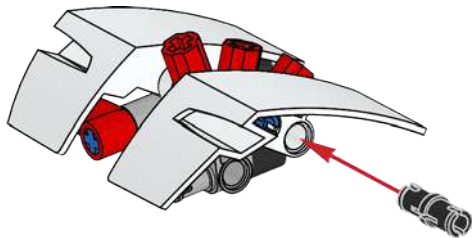


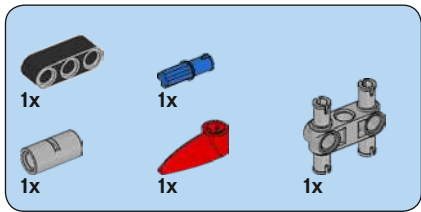


6

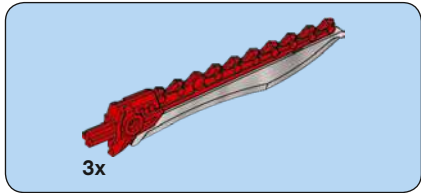
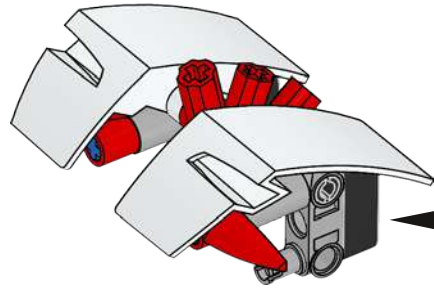
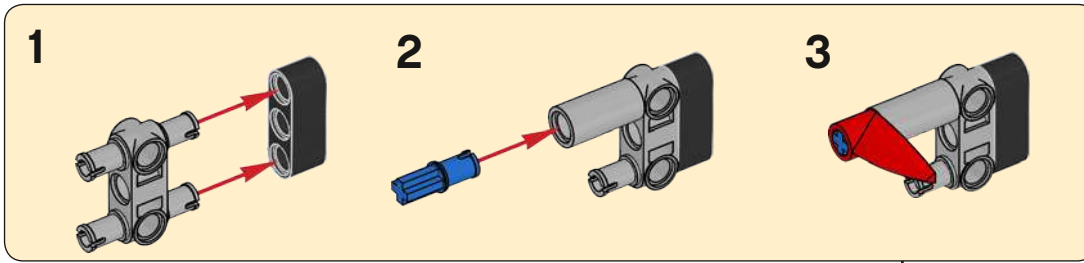


7

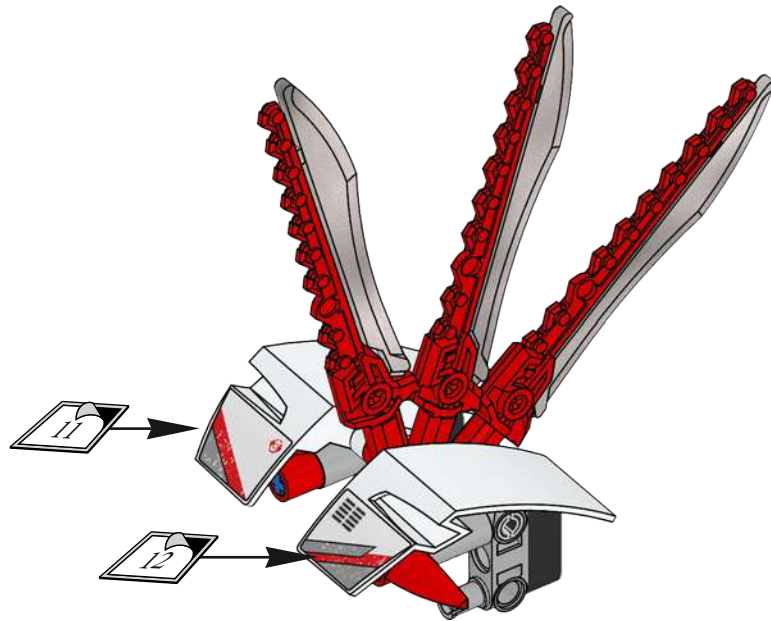




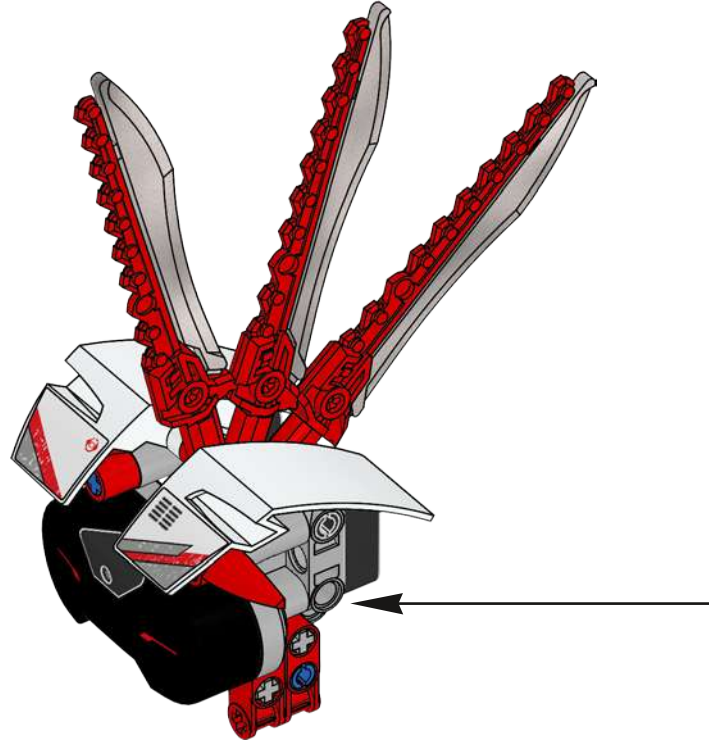
8

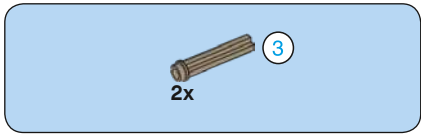


9

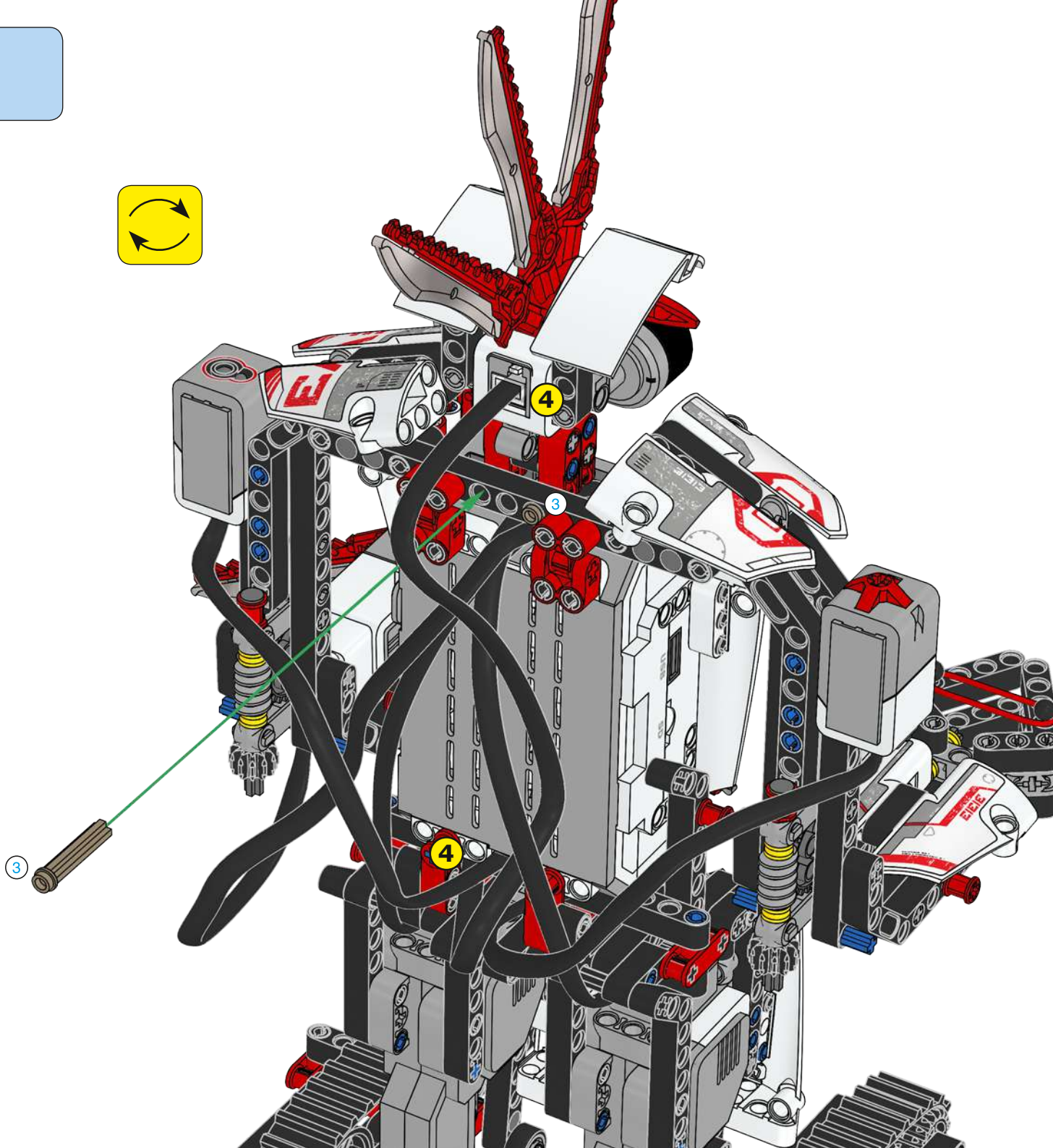


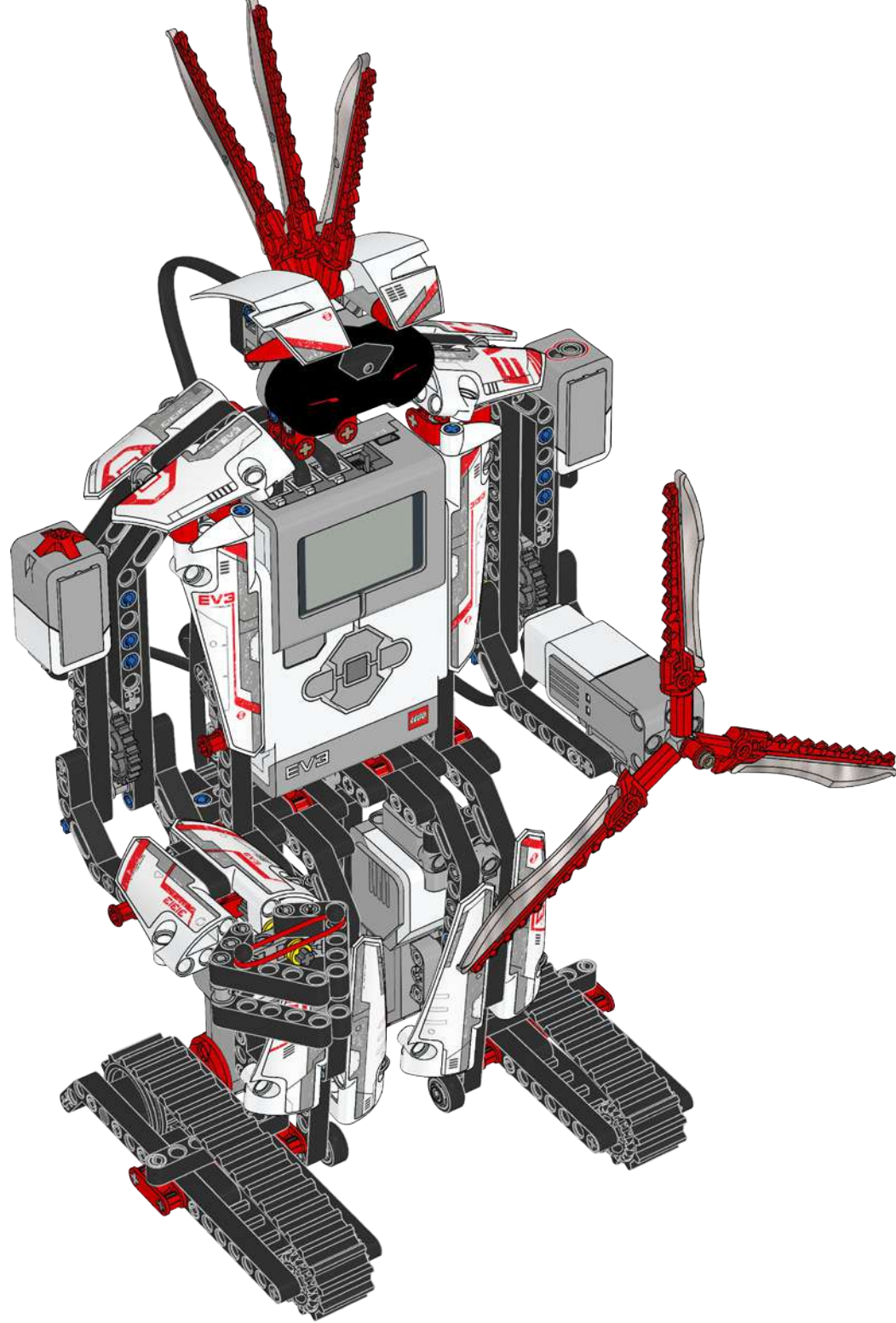
10





36







Download on the App Store

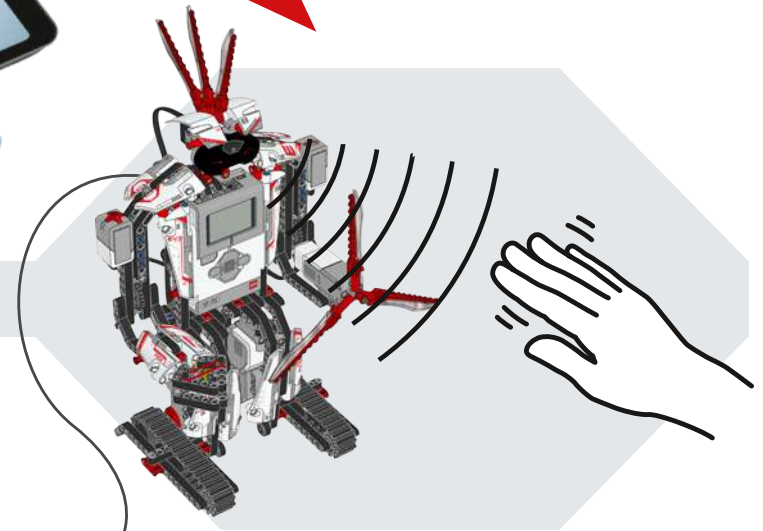
GET IT ON Google play



LEGO® MINDSTORMS®
EV3 Programmer
The LEGO Group



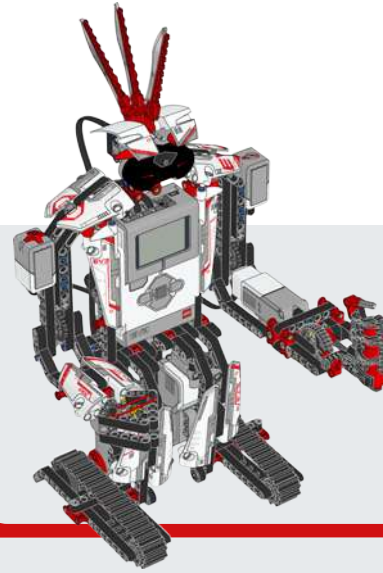
MISSION 04

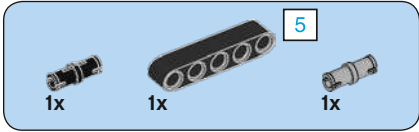
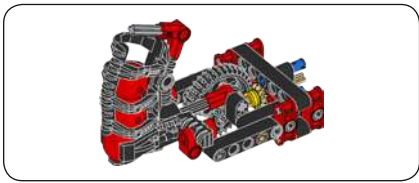


 LEGO.com/mindstorms/software

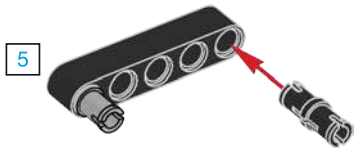


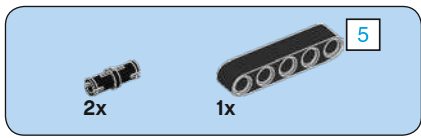
MISSION 05



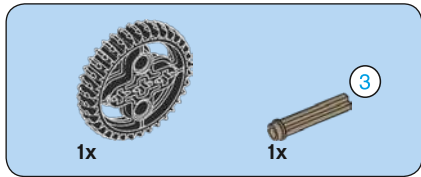
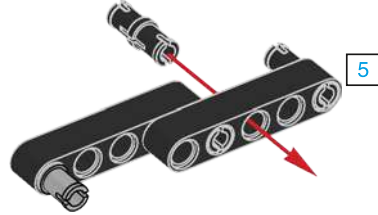


1

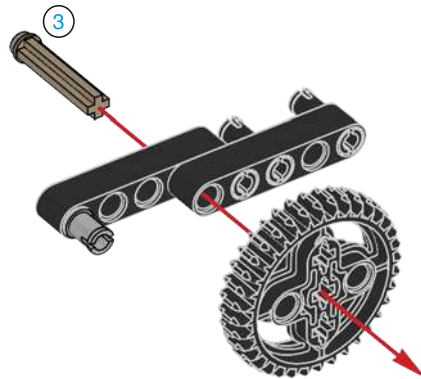


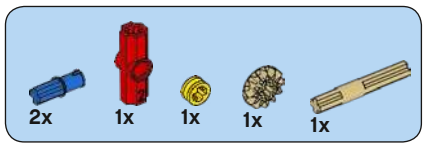


2

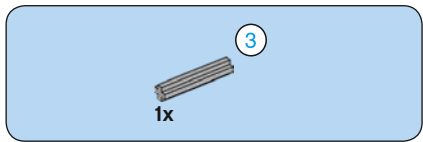
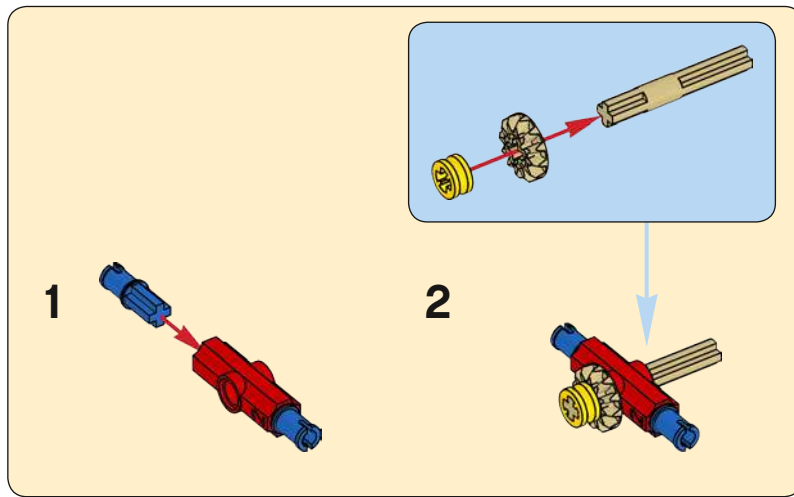


3



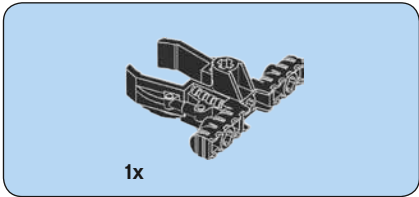
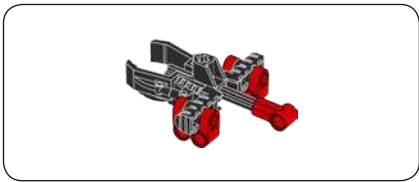


4

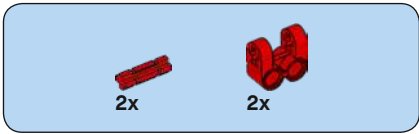
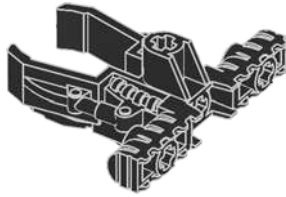


5

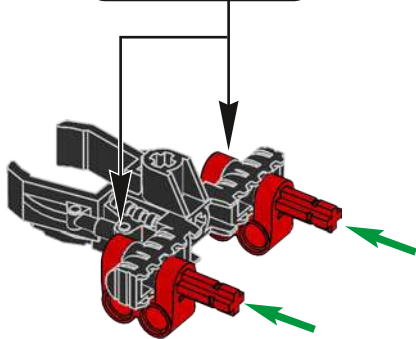
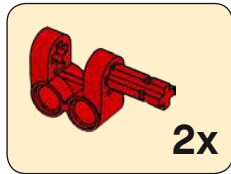


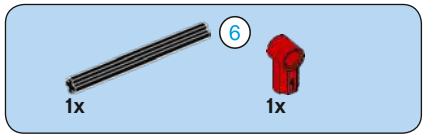


1

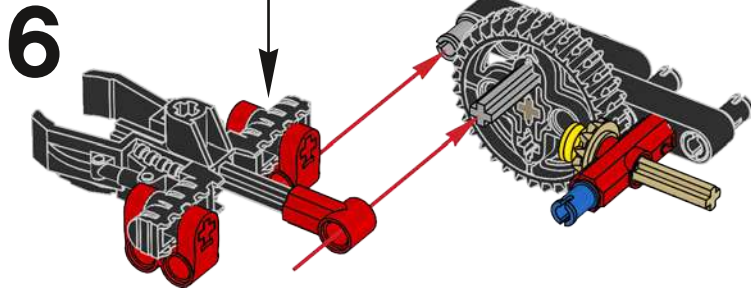
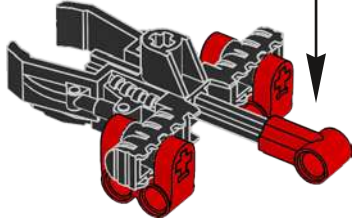
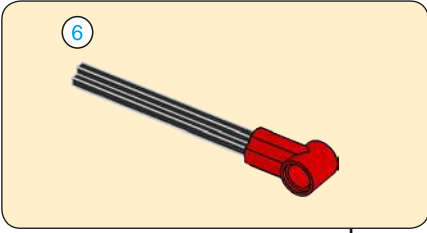


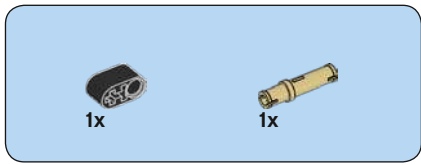
2



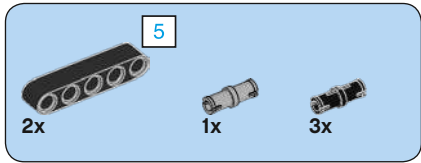
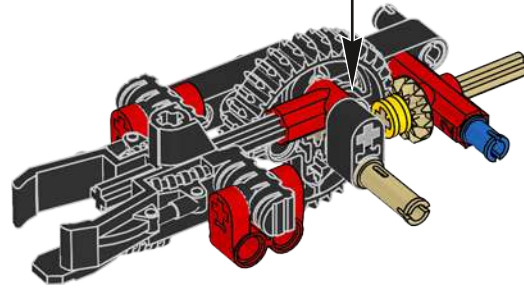
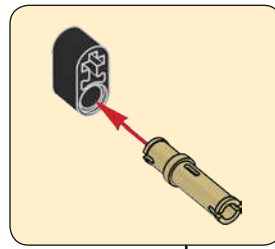


3

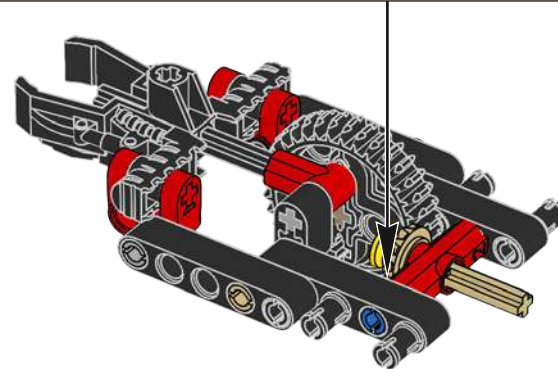
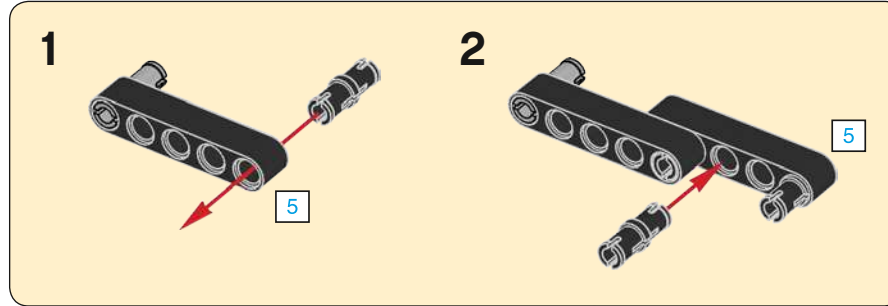


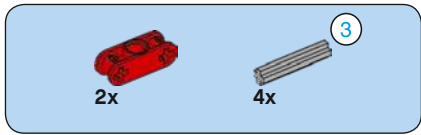


7

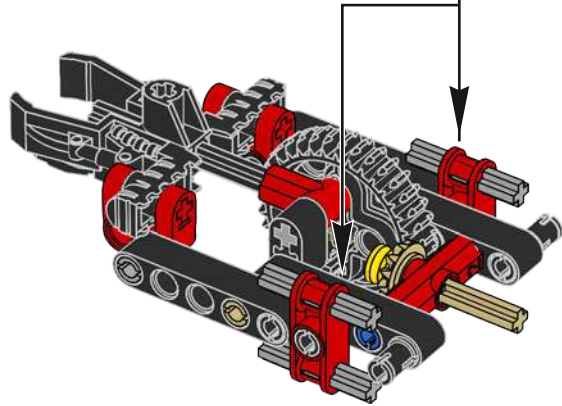
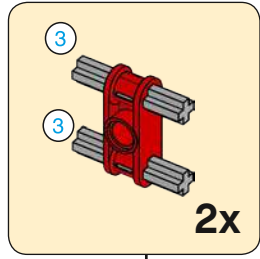


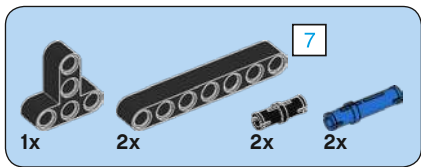
8



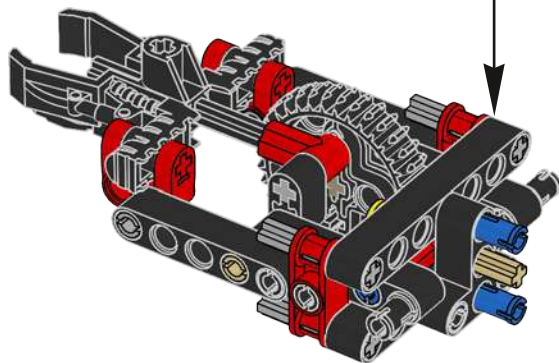
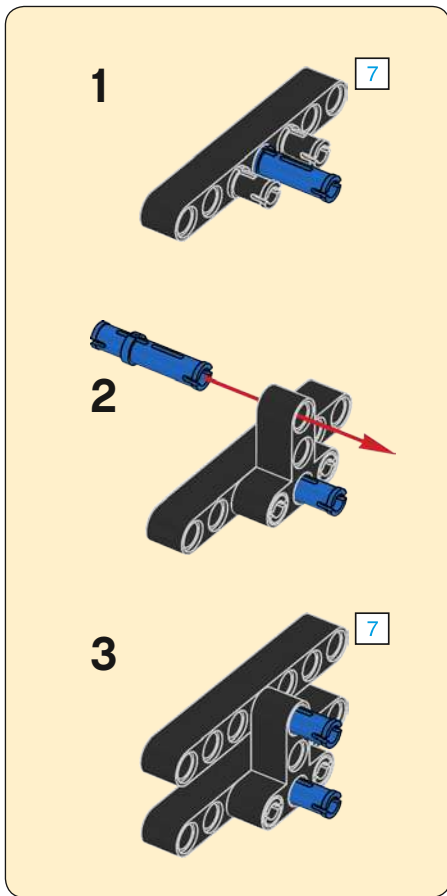


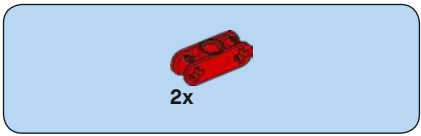
9



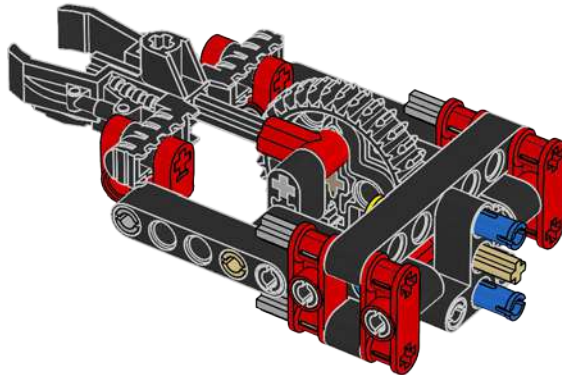


10

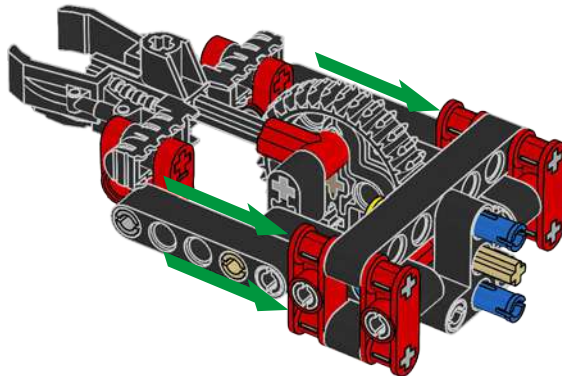


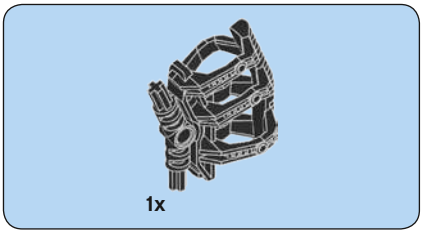


11

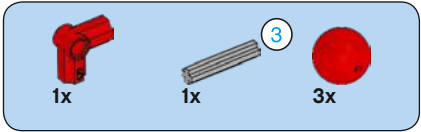
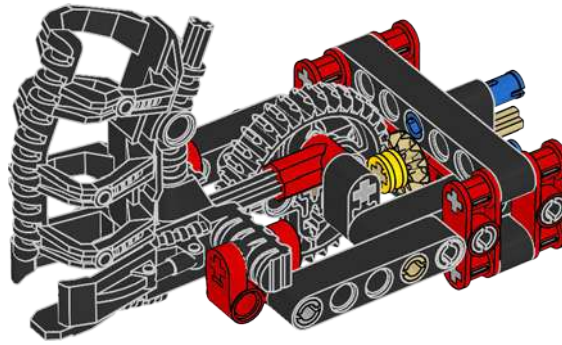


12

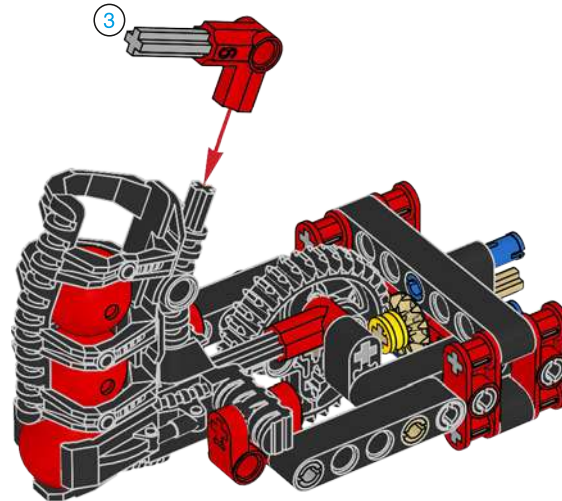


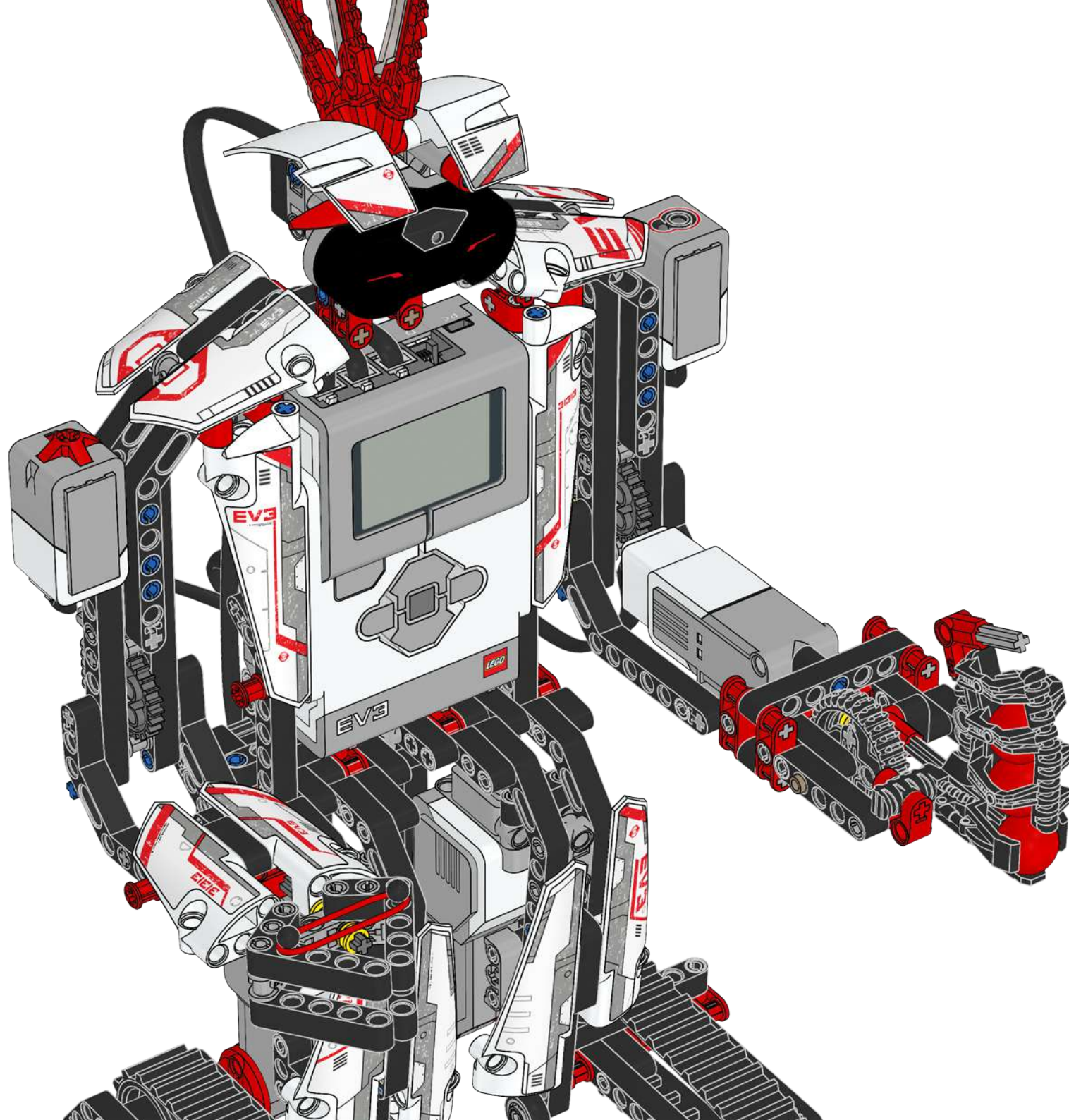


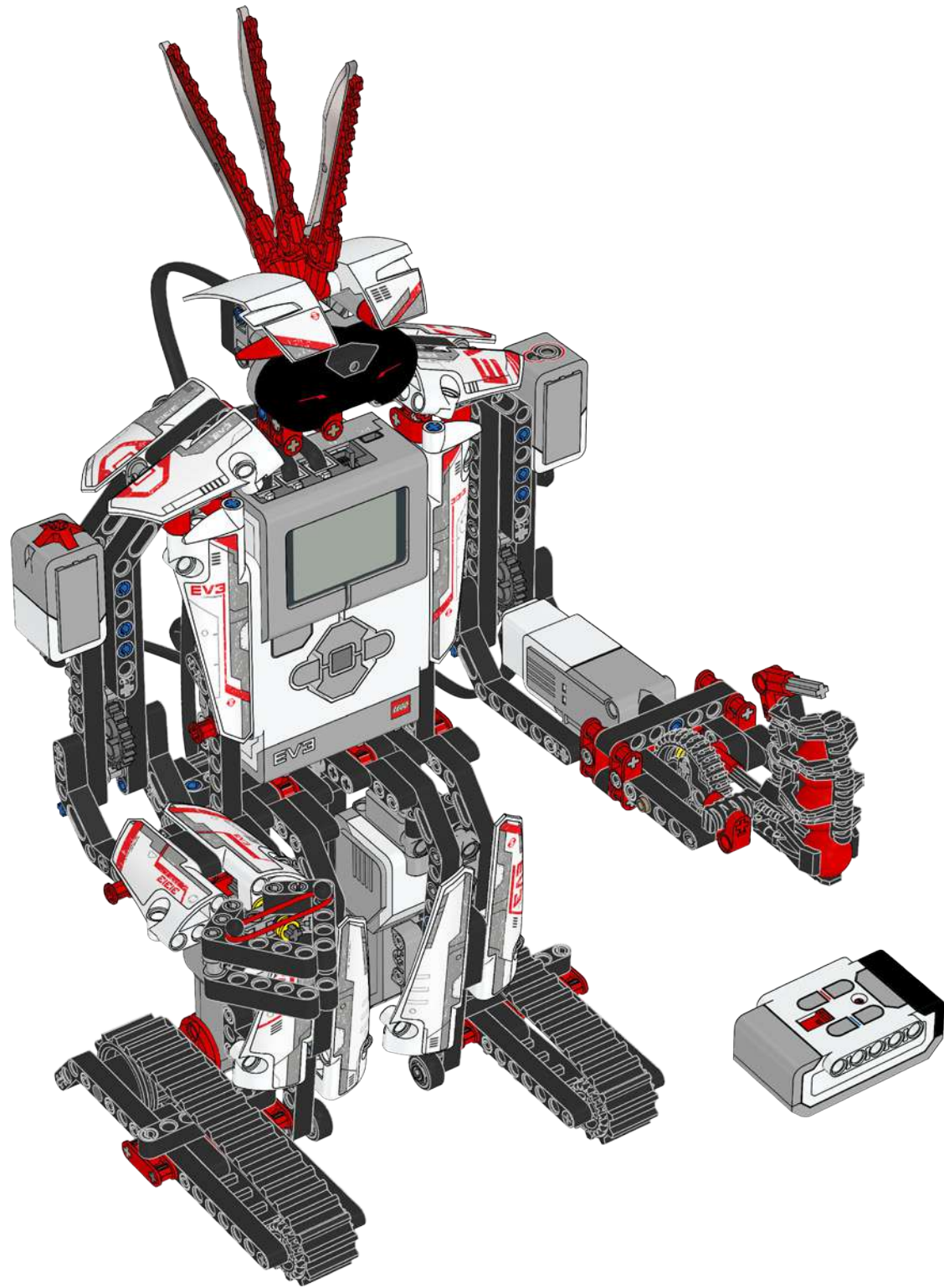
13



14







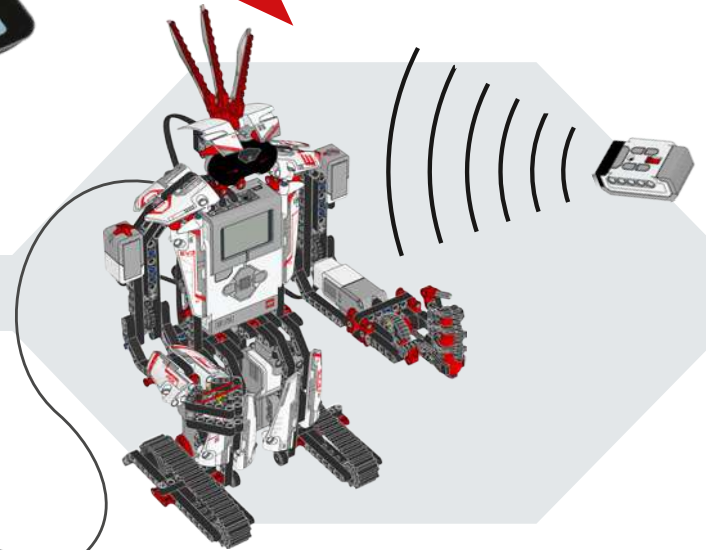


Download on the
App Store

GET IT ON
Google play



LEGO® MINDSTORMS®
EV3 Programmer
The LEGO Group



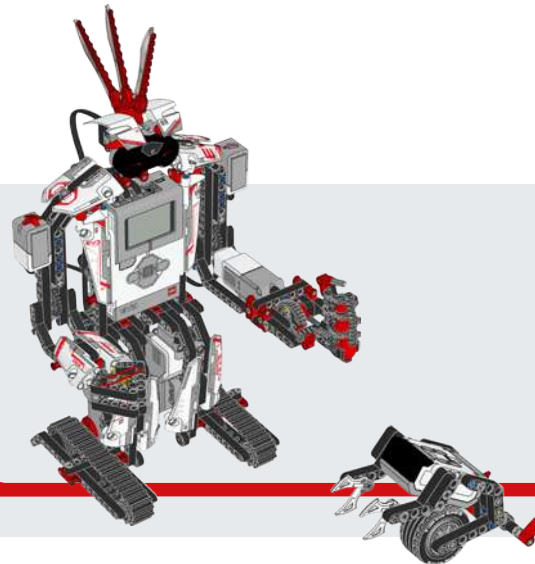
MISSION 05

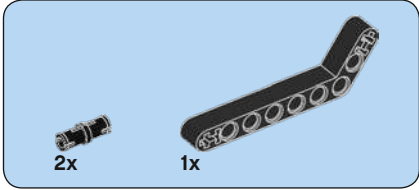
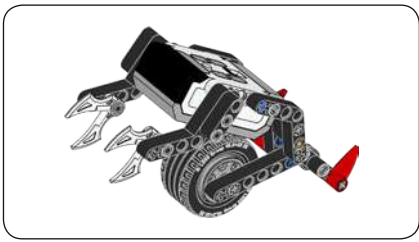


LEGO.com/mindstorms/software

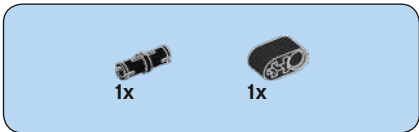
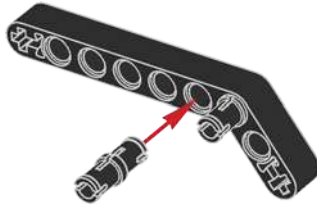


MISSION 06

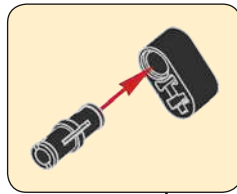


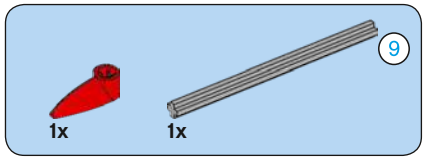


1

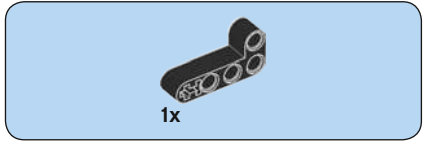
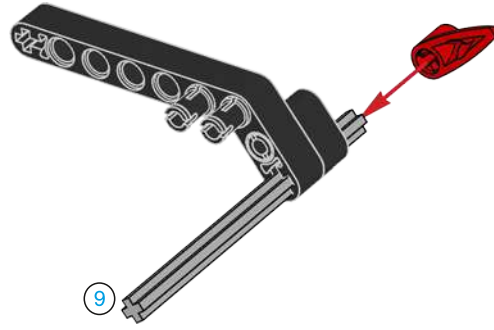


2

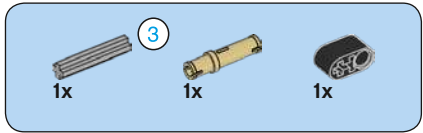
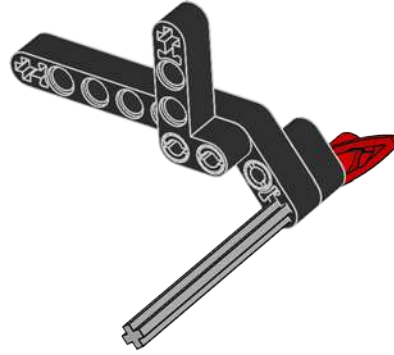




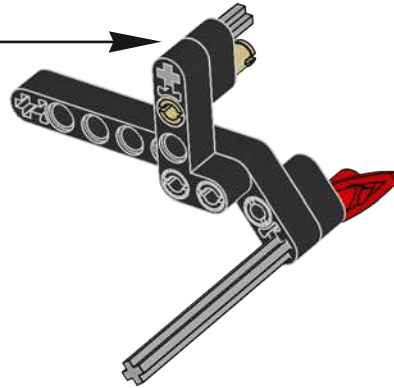
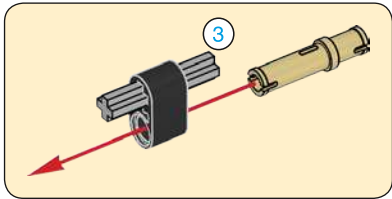
3

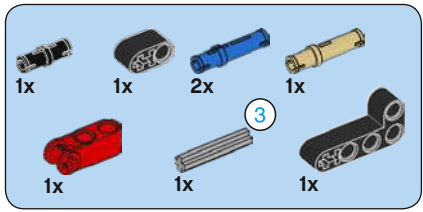


4

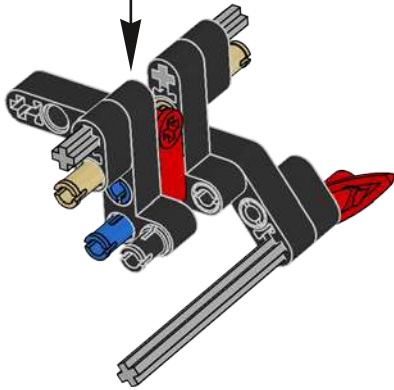
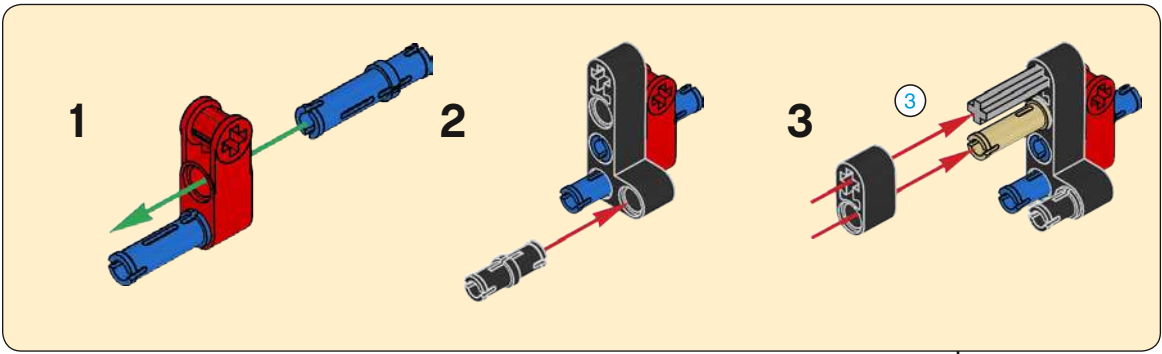


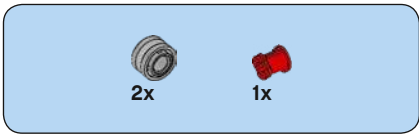
5



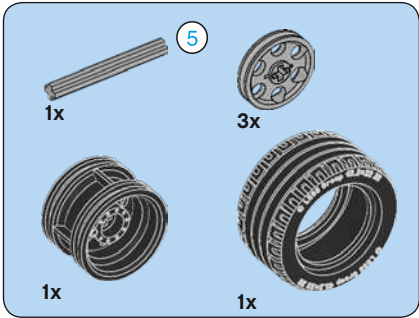
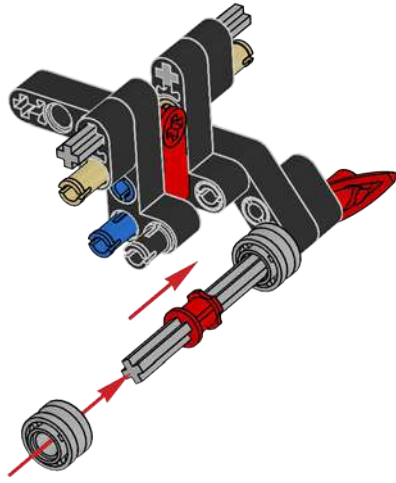


6

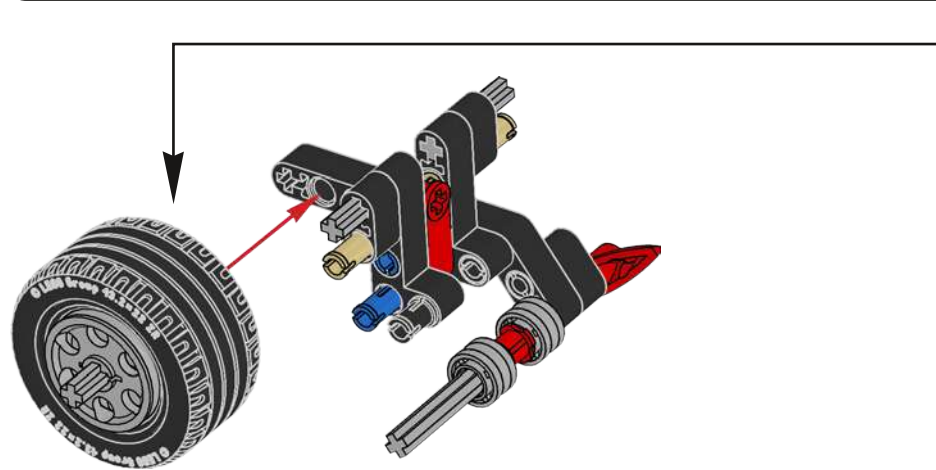
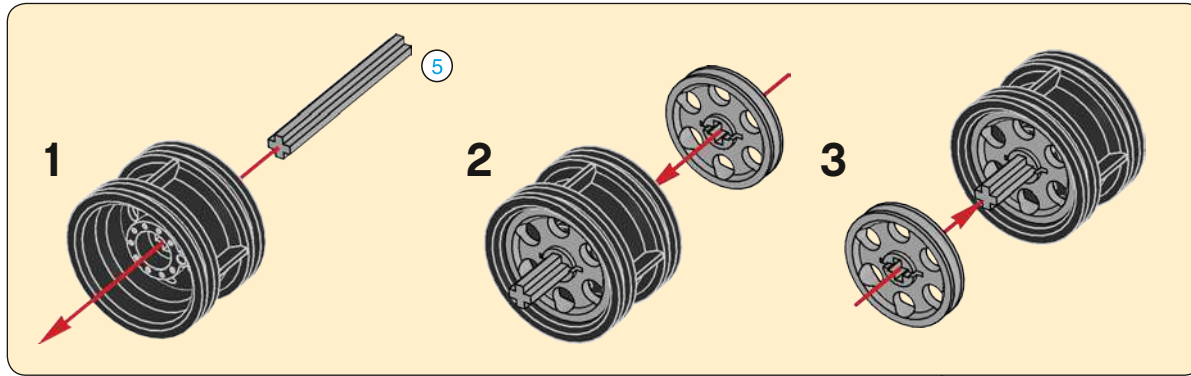


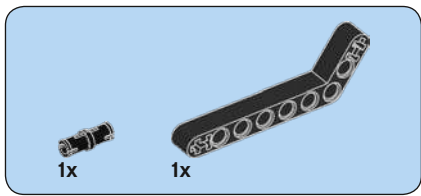


7

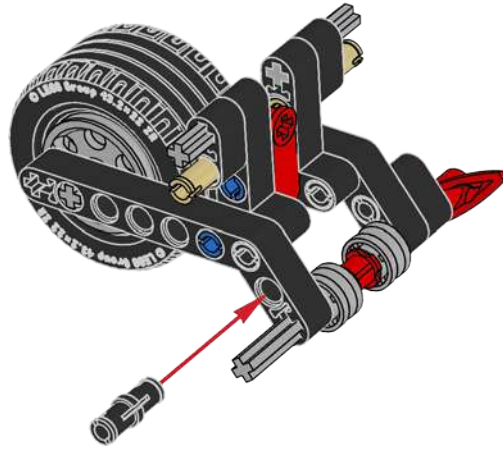


8

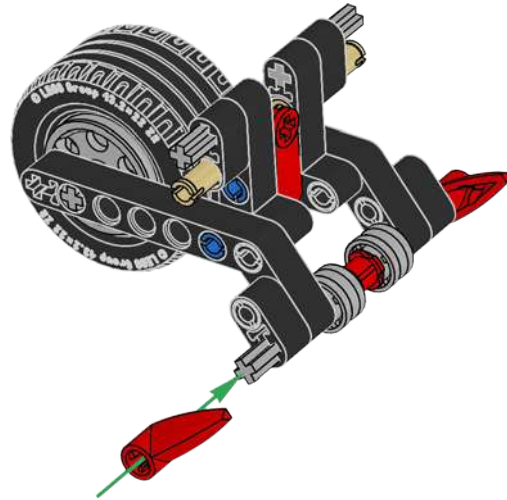


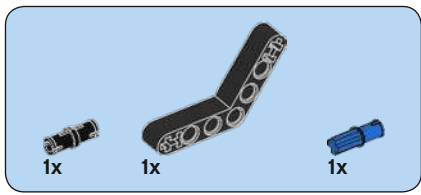


9

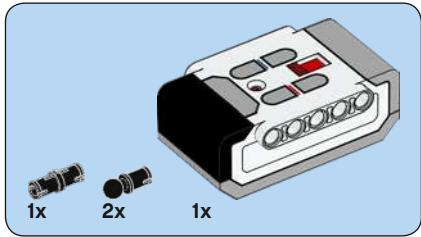
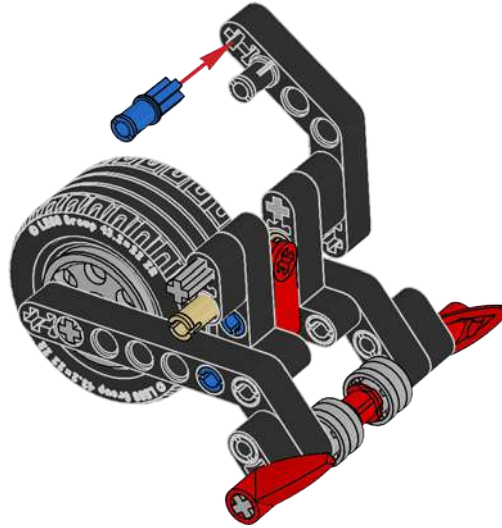


10

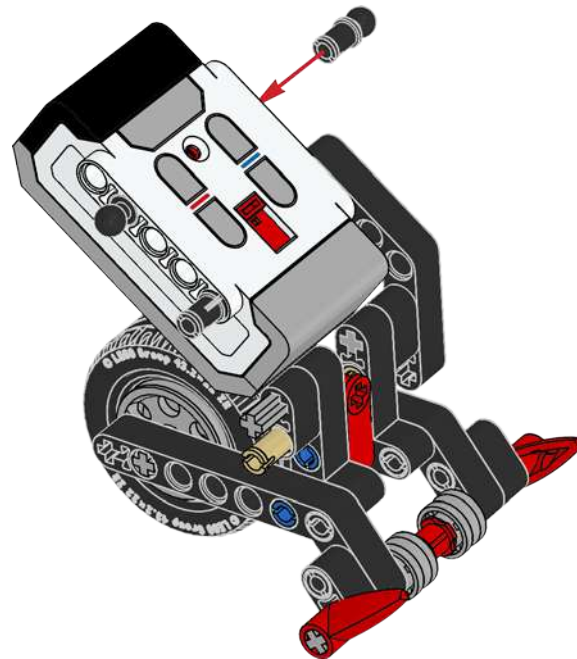
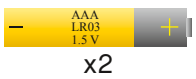
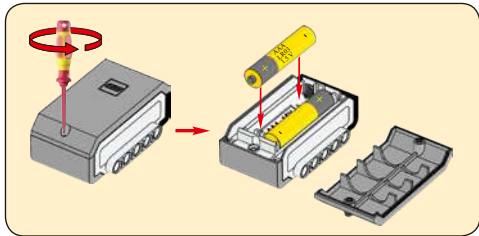


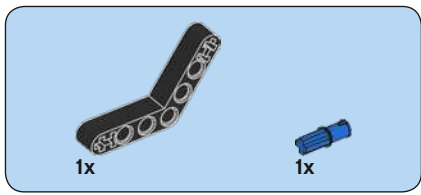


11

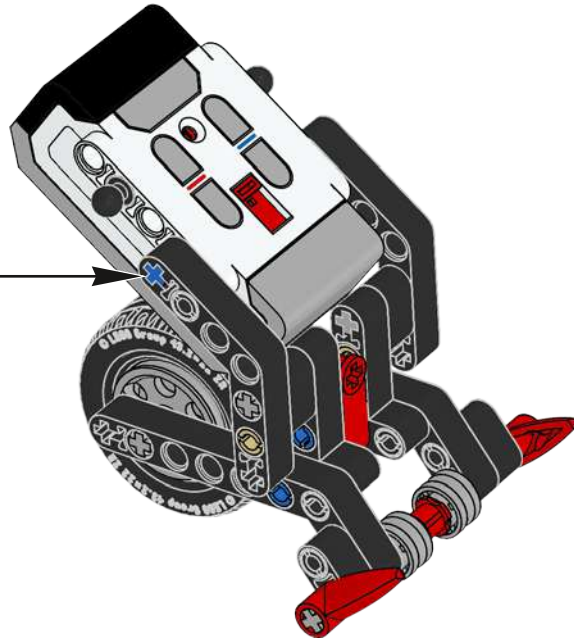
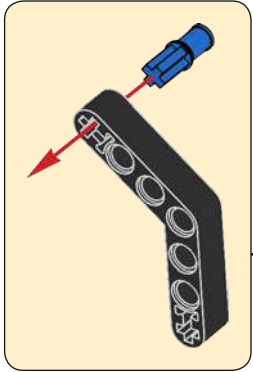


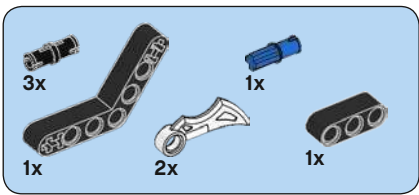
12



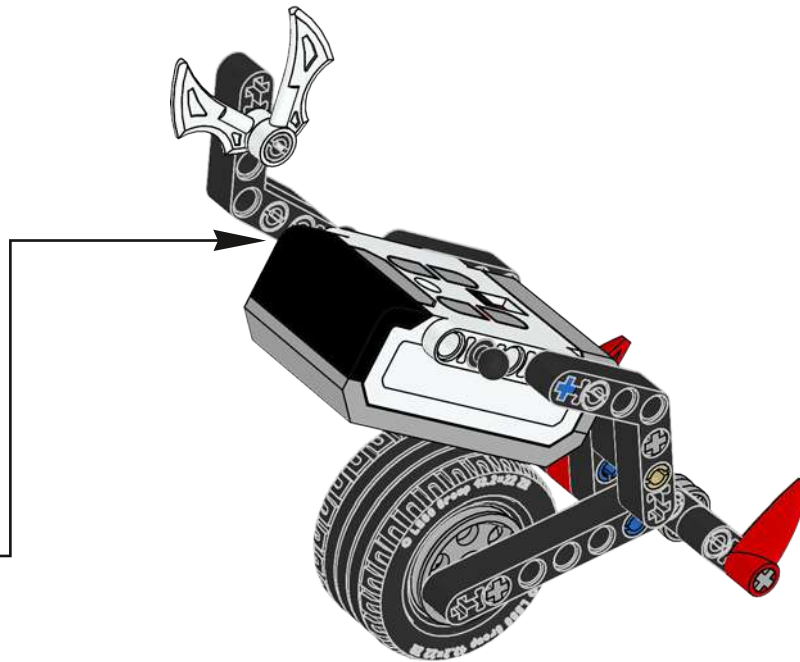
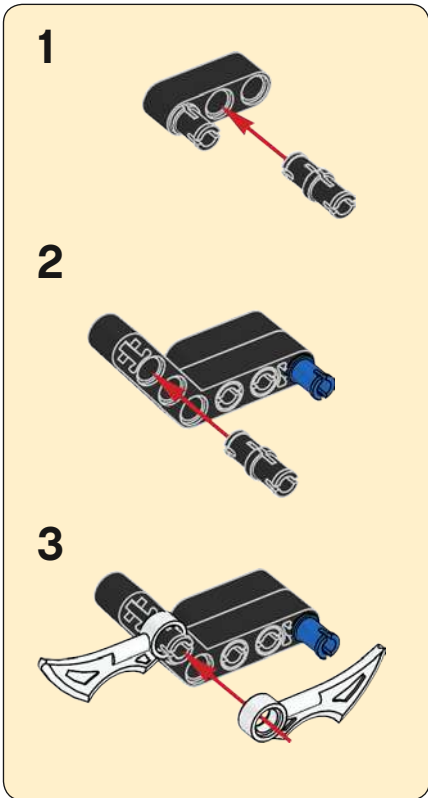


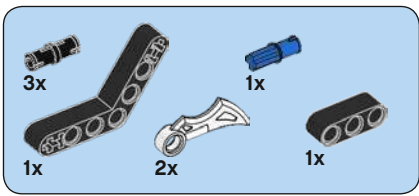
13



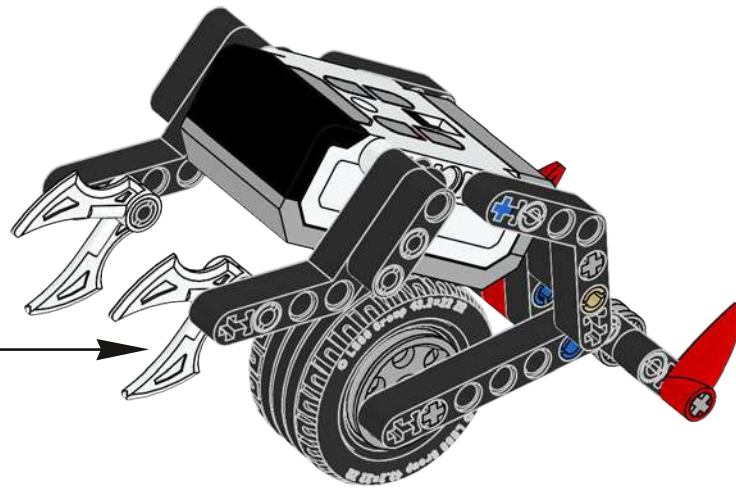
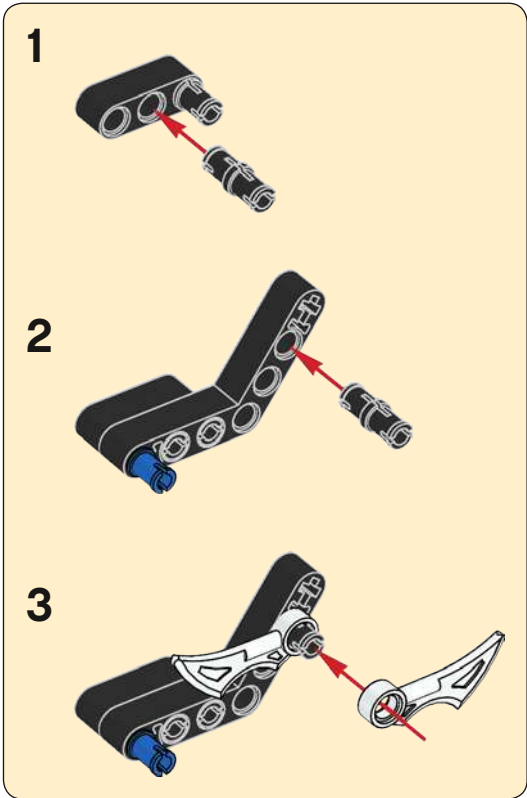


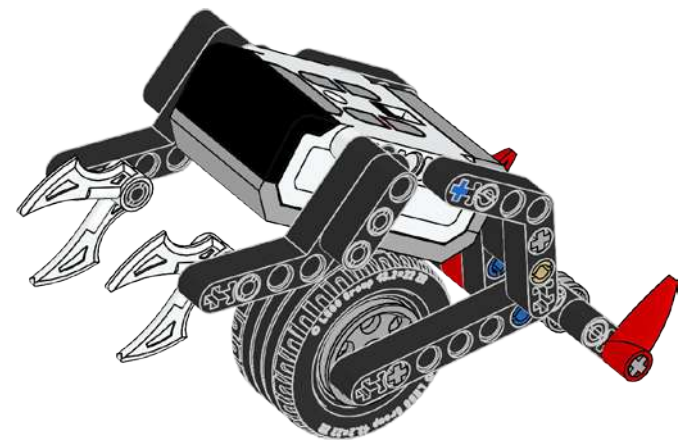
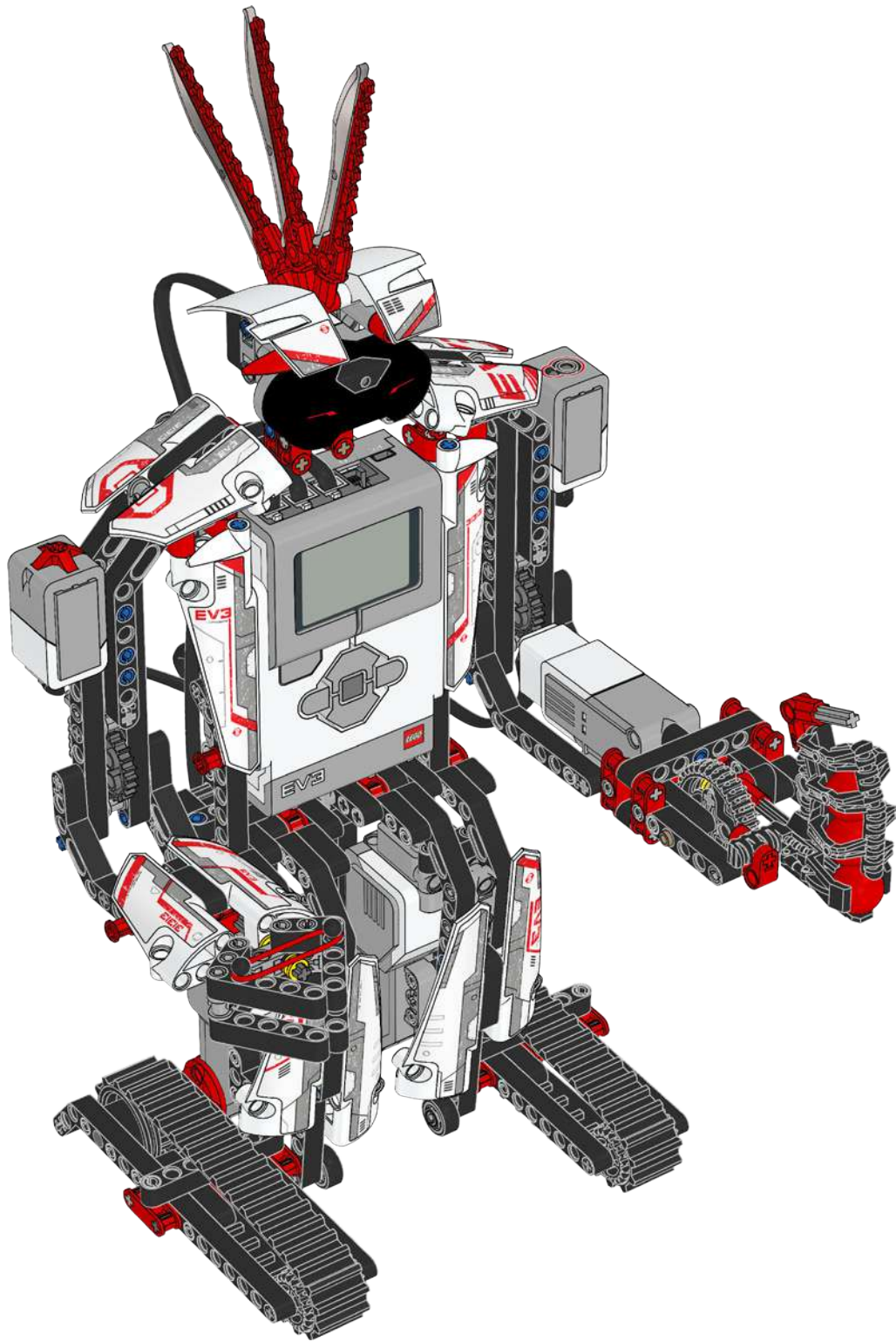
14





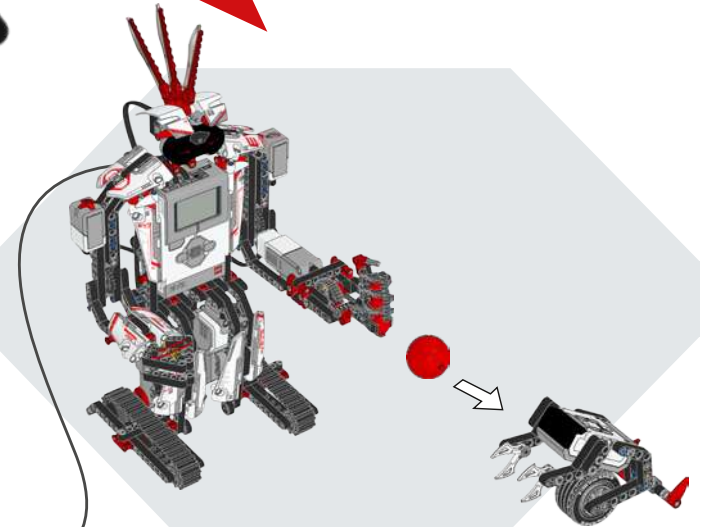
15







LEGO® MINDSTORMS®
EV3 Programmer
The LEGO Group



MISSION 06



LEGO.com/mindstorms/software



